

DESCRIPTION

6 inch LED recessed narrow, medium, or wide beam downlight designed for glare free even illumination. Featuring a two-stage diffused reflector system producing smooth distribution with excellent light control and low aperture brightness. Lumen packages range from 1000 to 7000 with color temperatures of 2400K, 2700K, 3000K, 3500K, 4000K, and 5000K. Available with dim-to-warm technology – similar to halogen at full power, the 3000K LED warms smoothly as dimmed to 1850K creating a rich warm glow within the space.

SPECIFICATION FEATURES

Lower Shielding Reflector

Painted die cast aluminum or spun aluminum lower reflector with a lensed upper optical chamber providing superior lumen output with minimal source brightness. Spun reflectors are offered in all Portfolio Alzak® finishes. Available with non-conductive polymer trim. Reflector is retained with two torsion springs holding the flange tight to the finished ceiling surface.

Plaster Frame / Collar

Die cast aluminum 1-1/2" deep collar accommodates ceiling materials up to 2". Universal mounting bracket accepts 1/2" EMT, C channel and bar hangers and adjusts 5" vertically from above and below the ceiling.

Junction Box

Listed for (8) #12 AWG (four in, four out) 90°C conductors and feed thru branch wiring. (4) 1/2" and (2) 3/4" trade size pry outs positioned to allow straight conduit runs. Lever connectors for simple push in wiring.

Thermal

Aluminum heat sink conducts heat away from the LED module for optimal performance and long life.

LED

Chip on board with a multitude of highly efficient white LED's, combined with a high reflectance upper reflector and convex transitional lens produce even distribution with no pixilation. Rated for 50,000 hours at 70% lumen maintenance. Auto resetting, thermally protected, LED's are turned off when safe operating temperatures are exceeded. Color variation within 3-step MacAdam ellipses. Quick disconnect allows for tool-less replacement of LED engine from below ceiling. Available in 80, 90 or 97 CRI. D2W™ – dim-to-warm shifts CCT from 3000K to 1850K as fixture dims mimicking halogen sources.

Driver

Standard 120-277V 0-10V dimming driver provides flicker free dimming from 100% to 1% (offered up to 4000 lumens). Optional 120V leading edge, <1% 0-10V, Fifth Light, DMX or Lutron® Ecosystem. Driver can be serviced from above or through the aperture.

Connected Lighting Systems

WaveLinx tilemount daylight sensor includes control module, sensor and cable allowing use with the comprehensive lighting system.

| | | |
|--------------------|--|-------------|
| Catalog # | | Type |
| Project | | |
| Comments | | Date |
| Prepared by | | |

LumaWatt Pro (powered by Enlighted) wireless tile mount sensor and relay accessory enables wireless control using a tile mount sensor accessory. Distributed low voltage power system combines power, lighting, and controls with ease of installation.

Code Compliance

Thermally protected and cULus listed for wet locations with covered ceiling. IP66 rated when used with IP66 gasket kit accessory. Optional City of Chicago environmental air (CCEA) marking for plenum applications. EMI/RFI emissions per FCC 47CFR Part 18 Class B consumer limits. Non-IC rated - Insulation must be kept 3" from top and sides of housing. IC rated up to 1500 lumens. 5000 lumen and above are marked spacing and must follow spacing requirements. RoHS Compliant. Photometric testing completed in accordance with IES LM 79 and TM-30 standards. LED life testing completed in accordance with LM 80 standards.

Warranty

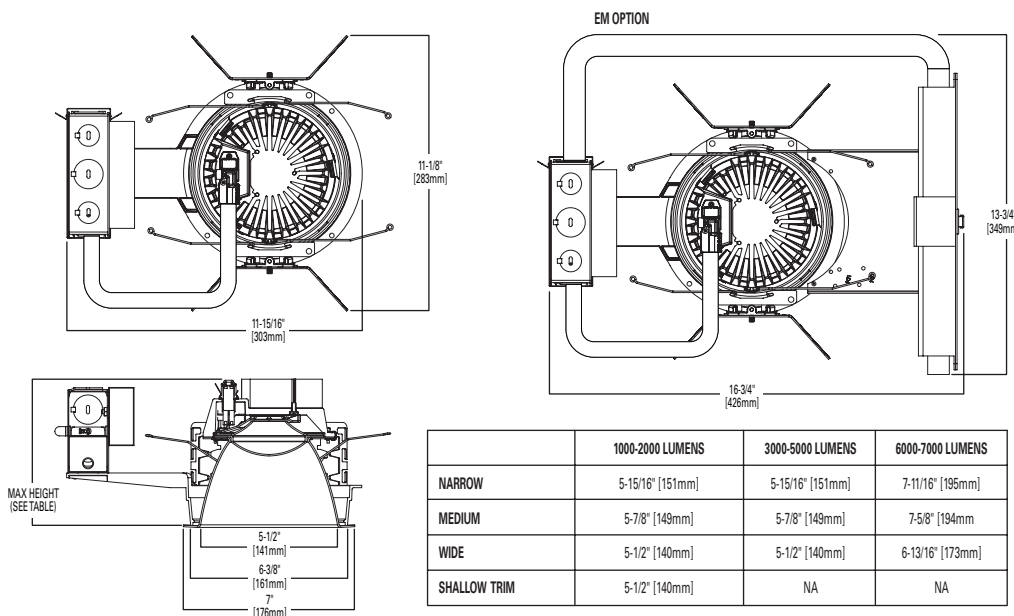
5-year warranty



**LD6B EU6B
6LBW 6LBM
6LBN**

1000 - 7000 lumens LED

Narrow, Medium, or Wide Beam
New Construction



ORDERING INFORMATION

SAMPLE NUMBER: LD6B15D010EMBOD

| Housing | Lumens ¹ | Voltage | Driver | Options |
|--|--|----------------|--|---|
| LD6B =LED Downlight 6" Nominal Aperture LD6BCP =LED Downlight 6" Nominal Aperture, Chicago Plenum | 10 =1000 lumens 15 =1500 lumens 20 =2000 lumens 30 =3000 lumens 40 =4000 lumens 50 =5000 lumens ¹⁰ 60 =6000 lumens ¹⁰ 70 =7000 lumens ¹⁰ | Blank=120-277V | 1000 - 4000 Lumen D010 =0-10V Dimming, 1% to 100%, 120V-277V D010TR =0-10V or Line Voltage Dimming, 5% to 100%, 120V-277V DE010 =0-10V Dimming, 0% to 100%, 120V-277V D5LT =Fifth Light® (DALI) Dimming, 0% to 100%, 120V-277V DMX =DMX Dimming, 0% to 100%, 120V-277V ¹⁴ DL2 =Lutron® Hi-Lume Forward Phase Dimming, 1% to 100%, 120V Only DL3 =Lutron® Hi-Lume 3 Wire Dimming, 1% to 100%, 120V-277V DLE =Lutron Ecosystem dimming 1% to 100%, 120V-277V 5000, 6000, and 7000 Lumen D010TE =0-10V 1% or Trailing Edge, 10% to 100%, 120V-277V (120V Only for Trailing Edge Dimming) 1000 - 3000 Lumen DLV =Low voltage dimming driver (1-100%) for use with DLVP system (3000 lumen and below) ^{3,15} | EMBOD =Bodine® Emergency Module with Remote Test Switch ³ EM7 =7W Emergency Module with Remote Test Switch ^{3,4} EM14 =14W Emergency Module with Remote Test Switch ^{3,4} IEMBOD =Bodine® Emergency Module with Integral Test Switch ³ IEM7 =7W Emergency Module with Integral Test Switch ^{3,4} IEM14 =14W Emergency Module with Integral Test Switch ^{3,4} EMV7 =7W Low Voltage Emergency Module with Remote Test Switch ^{3,4} EMV14 =14W Low Voltage Emergency Module with Remote Test Switch ^{3,4} IEMV7 =7W Low Voltage Emergency Module with Integral Test Switch ^{3,4} IEMV14 =14W Low Voltage Emergency Module with Integral Test Switch ^{3,4} SWPD1 =Factory installed WaveLinX tilemount daylight sensor (includes control module, sensor, cable, and tile mount) ¹⁵ LWTPD1 =Factory installed LumaWatt Pro wireless sensor kit ¹⁵ |

SAMPLE NUMBER: EU6B10208035

| Power Module | Lumen Levels ¹ | CRI | Color |
|---|--|---|---|
| EU6B =6" Universal LED Module | 1020 =1000, 1500, 2000 lumens 3050 =3000, 4000, 5000 lumens 6070 =6000, 7000 lumens 1015IC =1000, 1500 lumen IC rated | 80 =80 CRI Minimum 90 =90 CRI Minimum 97 =97 CRI Minimum | 80 CRI 27 =2700K 30 =3000K 35 =3500K 40 =4000K 50 =5000K 90 CRI 24 =2400K 27 =2700K 30 =3000K 35 =3500K 40 =4000K 50 =5000K 97 CRI 27 =2700K 30 =3000K |
| Dim 2 Warm 109030D2W =1000 lumen, 90 CRI, Dim 2 Warm, IC rated 159030D2W =1500 lumen, 90 CRI, Dim 2 Warm, IC rated 209030D2W =2000 lumen, 90 CRI, Dim 2 Warm | | | |

SAMPLE NUMBER: 6LBM1LIE

| Trim | Distribution ⁵ | Flange | Finish | Options |
|--------------------|---|---|---|--|
| 6LB =6" LED | N =Narrow (30° Beam), Spun Aluminum M =Medium (50° Beam), Spun Aluminum W =Wide (75° Beam), Spun Aluminum S =Shallow (75° Beam), Spun Aluminum ¹² PS =Plastic Shallow (75° Beam), Injection Molded white ^{11, 12} CS =Cast Shallow (75° Beam), Die Cast Aluminum ¹² BA =Baffle (50° Beam), Spun Aluminum ⁷ | 0 =White Polymer Trim Ring 1 =Self-flanged ¹³ 2 =White Painted Self-flanged | LI =Specular Clear ⁹ H =Semi-Specular Clear ⁹ WMH =Warm Haze ⁹ WH =Wheat ⁹ GPH =Graphite Haze ⁹ B =Specular Black ⁹ MW =Matte White MB =Matte Black ⁹ MMS =Matte Metallic Silver ⁸ | E =Integral Emergency Test Switch Hole ⁵ |

Accessories

HSA6=Slope Adapter for 6" Aperture Housings, Specify Slope
TRM6=Metal Trim Ring, Specify Color²
PRR6=Rimless Trim Ring for Flush Mount²
LGSKT6IP66=IP66 Gasket Kit
DT6=Deco Trim²
Bar Hangers
HB26=C-channel Bar Hanger, 26" Long, Pair
HB50=C-channel Bar Hanger, 50" Long, Pair
RMB22=Wood Joist Bar Hanger, 22" Long, Pair
Transformers
H347=347 to 120V Step Down Transformer, 75VA
H347200=347 to 120V Step Down Transformer, 200VA
Connected Lighting Systems
PORLWTPD1=LumaWatt Pro wireless sensor kit (0-10V only) field installed¹⁵
TMSWPD1=WaveLinX tilemount daylight sensor (includes control module, sensor, cable and tile mount) field installed¹⁵

Notes:

- Nominal Lumens will vary depending on selected color, driver and reflector finish.
- Order trim with polymer trim ring (Consult specification sheet for color ordering information and options).
- Not available with Chicago Plenum.
- ULus listed only
- Beam angles are nominal with LI finish trims.
- Only available with Narrow and Medium Spun Aluminum trims. Required for use with all IEMBOD, IEM7, and IEM14 housings. Requires above ceiling access with wide beam trim.
- Only available with Matte White and Matte Black Finishes.
- Available only on CS distributions.
- Not available on PS, CS or BA distributions.
- Product is marked spacing and must be installed with the following minimum spacing.
 - Center to center of adjacent luminaires: 36"
 - Center of luminaire to side of building member: 18"
 - Minimum overhead: 1/2"
 - Not available with CS or PS trims
- PS available in self-flanged MW finish only.
- Offered up to 2000 lumens
- Flange is the same finish as the reflector
- DMX fixtures default to full on upon loss of DMX signal.
- Refer to system specifications for additional information, features, and benefits. Order either factory installed option or accessory. Use with 0-10V driver.

ENERGY

| ENERGY DATA |
|---|
| Sound Rating: Class A standards |
| (Values at non-dimming line voltage) |
| Minimum Starting Temperature: -30°C (-22°F) |
| EMI/RFI: FCC Title 47 CFR, Part 15, Class B (Consumer) |
| Input Voltage: UNV (120V - 277V) |
| Power Factor: >0.90 (at nominal input 120-277 VAC & 100% of Rated Output Power) |
| Input Frequency: 50/60Hz |

| 1000 Lumen D010 | | 1500 Lumen D010 | |
|---------------------------|---------------------------|---------------------------|---------------------------|
| Input Power: 11W | THD: <14% | Input Power: 15.5W | THD: <13% |
| 120V Input Current: 0.09A | 277V Input Current: 0.04A | 120V Input Current: 0.13A | 277V Input Current: 0.06A |
| 2000 Lumen D010 | | 3000 Lumen D010 | |
| Input Power: 21.2W | THD: <9% | Input Power: 27.6W | THD: <10% |
| 120V Input Current: 0.18A | 277V Input Current: 0.08A | 120V Input Current: 0.23A | 277V Input Current: 0.10A |
| 4000 Lumen D010 | | 5000 Lumen D010TE | |
| Input Power: 41.6W | THD: <13% | Input Power: 57.9W | THD: <14% |
| 120V Input Current: 0.35A | 277V Input Current: 0.15A | 120V Input Current: 0.49A | 277V Input Current: 0.22A |
| 6000 Lumen D010TE | | 7000 Lumen D010TE | |
| Input Power: 59.7W | THD: <14% | Input Power: 75.8W | THD: <13% |
| 120V Input Current: 0.50A | 277V Input Current: 0.22A | 120V Input Current: 0.64A | 277V Input Current: 0.29A |

| Lumens | 120V | | 277V | |
|-------------------|------------|---------------|------------|---------------|
| | Inrush (A) | Duration (ms) | Inrush (A) | Duration (ms) |
| 1000 Lumen D010 | 1.02 | 0.041 | 2.18 | 0.021 |
| 1500 Lumen D010 | 1.02 | 0.042 | 2.24 | 0.064 |
| 2000 Lumen D010 | 1.02 | 0.077 | 2.43 | 0.027 |
| 3000 Lumen D010 | 1.15 | 0.067 | 3.26 | 0.027 |
| 4000 Lumen D010 | 1.2 | 0.088 | 3.9 | 0.03 |
| 5000 Lumen D010TE | 5.1 | 0.132 | 10.2 | 0.153 |
| 6000 Lumen D010TE | 5.4 | 0.123 | 10.8 | 0.154 |
| 7000 Lumen D010TE | 4.9 | 0.13 | 9.8 | 0.156 |

PHOTOMETRY

| NARROW (30° BEAM) | | CANDLEPOWER DISTRIBUTION | | CONE OF LIGHT | | CANDELA TABLE | | ZONAL LUMEN SUMMARY | | | LUMINANCE | |
|-------------------|--------------|--------------------------|-----|---------------|------|------------------|---------|---------------------|--------|-----------|-------------------------|----------------------|
| Test Number | P201217 | | | | | Degrees Vertical | Candela | Zone | Lumens | % Fixture | Average Candela Degrees | Average 0° Luminance |
| Housing | LD6B15D010 | | | | | 0 | 2709 | 0-30 | 960 | 80.4 | 45 | 677 |
| Module | EU6B10208035 | | | | | 5 | 2526 | 0-40 | 1149 | 96.2 | 55 | 76 |
| Trim | 6LBN1LI | | | | | 15 | 1468 | 0-60 | 1193 | 99.9 | 65 | 26 |
| Lumens | 1195 | | | | | 25 | 708 | 0-90 | 1195 | 100 | 75 | 0 |
| Efficacy | 83.6 Lm/W | 35 | 299 | 90-180 | 0 | 0 | 85 | 0 | | | | |
| SC | 0.53 | 45 | 44 | 0-180 | 1195 | 100 | | | | | | |
| | | 55 | 4 | | | | | | | | | |
| | | 65 | 1 | | | | | | | | | |
| | | 75 | 0 | | | | | | | | | |
| | | 85 | 0 | | | | | | | | | |
| | | 90 | 0 | | | | | | | | | |
| | | D | FC | L | W | | | | | | | |
| | | 5.5' | 90 | 2.8 | 2.8 | | | | | | | |
| | | 7' | 55 | 3.6 | 3.6 | | | | | | | |
| | | 8' | 42 | 4.2 | 4.2 | | | | | | | |
| | | 9' | 33 | 4.6 | 4.6 | | | | | | | |
| | | 10' | 27 | 5.2 | 5.2 | | | | | | | |
| | | 12' | 19 | 6.2 | 6.2 | | | | | | | |

| MEDIUM (50° BEAM) | | CANDLEPOWER DISTRIBUTION | | CONE OF LIGHT | | CANDELA TABLE | | ZONAL LUMEN SUMMARY | | | LUMINANCE | |
|-------------------|--------------|--------------------------|-----|---------------|------|------------------|---------|---------------------|--------|-----------|-------------------------|----------------------|
| Test Number | P201215 | | | | | Degrees Vertical | Candela | Zone | Lumens | % Fixture | Average Candela Degrees | Average 0° Luminance |
| Housing | LD6B15D010 | | | | | 0 | 1683 | 0-30 | 990 | 73.6 | 45 | 1159 |
| Module | EU6B10208035 | | | | | 5 | 1661 | 0-40 | 1265 | 94 | 55 | 130 |
| Trim | 6LBM1LI | | | | | 15 | 1386 | 0-60 | 1341 | 99.7 | 65 | 87 |
| Lumens | 1345 | | | | | 25 | 993 | 0-90 | 1345 | 100 | 75 | 71 |
| Efficacy | 94.1 Lm/W | 35 | 430 | 90-180 | 0 | 0 | 85 | 0 | | | | |
| SC | 0.85 | 45 | 76 | 0-180 | 1345 | 100 | | | | | | |
| | | 55 | 7 | | | | | | | | | |
| | | 65 | 3 | | | | | | | | | |
| | | 75 | 2 | | | | | | | | | |
| | | 85 | 0 | | | | | | | | | |
| | | 90 | 0 | | | | | | | | | |
| | | D | FC | L | W | | | | | | | |
| | | 5.5' | 56 | 4.6 | 4.6 | | | | | | | |
| | | 7' | 34 | 5.8 | 5.8 | | | | | | | |
| | | 8' | 26 | 6.6 | 6.6 | | | | | | | |
| | | 9' | 21 | 7.6 | 7.6 | | | | | | | |
| | | 10' | 17 | 8.4 | 8.4 | | | | | | | |
| | | 12' | 12 | 10 | 10 | | | | | | | |

| WIDE (75° BEAM) | | CANDLEPOWER DISTRIBUTION | | CONE OF LIGHT | | CANDELA TABLE | | ZONAL LUMEN SUMMARY | | | LUMINANCE | |
|-----------------|--------------|--------------------------|-----|---------------|------|------------------|---------|---------------------|--------|-----------|-------------------------|----------------------|
| Test Number | P201213 | | | | | Degrees Vertical | Candela | Zone | Lumens | % Fixture | Average Candela Degrees | Average 0° Luminance |
| Housing | LD6B15D010 | | | | | 0 | 963 | 0-30 | 785 | 51.7 | 45 | 4835 |
| Module | EU6B10208035 | | | | | 5 | 963 | 0-40 | 1207 | 79.5 | 55 | 1055 |
| Trim | 6LBW1LI | | | | | 15 | 976 | 0-60 | 1510 | 99.4 | 65 | 151 |
| Lumens | 1519 | | | | | 25 | 913 | 0-90 | 1519 | 100 | 75 | 84 |
| Efficacy | 106.2 Lm/W | 35 | 687 | 90-180 | 0 | 0 | 85 | 0 | | | | |
| SC | 1.23 | 45 | 316 | 0-180 | 1519 | 100 | | | | | | |
| | | 55 | 56 | | | | | | | | | |
| | | 65 | 6 | | | | | | | | | |
| | | 75 | 2 | | | | | | | | | |
| | | 85 | 0 | | | | | | | | | |
| | | 90 | 0 | | | | | | | | | |
| | | D | FC | L | W | | | | | | | |
| | | 5.5' | 32 | 6.6 | 6.6 | | | | | | | |
| | | 7' | 20 | 8.6 | 8.6 | | | | | | | |
| | | 8' | 15 | 9.8 | 9.8 | | | | | | | |
| | | 9' | 12 | 11 | 11 | | | | | | | |
| | | 10' | 10 | 12.2 | 12.2 | | | | | | | |
| | | 12' | 7 | 14.6 | 14.6 | | | | | | | |

| SHALLOW (75° BEAM) | | CANDLEPOWER DISTRIBUTION | | CONE OF LIGHT | | CANDELA TABLE | | ZONAL LUMEN SUMMARY | | | LUMINANCE | |
|--------------------|--------------|--------------------------|-----|---------------|------|------------------|---------|---------------------|--------|-----------|-------------------------|----------------------|
| Test Number | P201212 | | | | | Degrees Vertical | Candela | Zone | Lumens | % Fixture | Average Candela Degrees | Average 0° Luminance |
| Housing | LD6B15D010 | | | | | 0 | 710 | 0-30 | 529 | 34.2 | 45 | 36260 |
| Module | EU6B10208035 | | | | | 5 | 704 | 0-40 | 843 | 54.5 | 55 | 29687 |
| Trim | 6LBCS1MMS | | | | | 15 | 666 | 0-60 | 1377 | 89 | 65 | 20068 |
| Lumens | 1546 | | | | | 25 | 596 | 0-90 | 1546 | 100 | 75 | 8318 |
| Efficacy | 110.4 Lm/W | 35 | 502 | 90-180 | 0 | 0 | 85 | 749 | | | | |
| SC | 1.16 | 45 | 393 | 0-180 | 1546 | 100 | | | | | | |
| | | 55 | 261 | | | | | | | | | |
| | | 65 | 130 | | | | | | | | | |
| | | 75 | 33 | | | | | | | | | |
| | | 85 | 1 | | | | | | | | | |
| | | 90 | 0 | | | | | | | | | |
| | | D | FC | L | W | | | | | | | |
| | | 5.5' | 24 | 6.2 | 6.2 | | | | | | | |
| | | 7' | 15 | 8 | 8 | | | | | | | |
| | | 8' | 11 | 9.2 | 9.2 | | | | | | | |
| | | 9' | 9 | 10.4 | 10.4 | | | | | | | |
| | | 10' | 7 | 11.6 | 11.6 | | | | | | | |
| | | 12' | 5 | 13.8 | 13.8 | | | | | | | |

PHOTOMETRY

| NARROW (30° BEAM) | | CANDLEPOWER DISTRIBUTION | | CONE OF LIGHT | | CANDELA TABLE | | ZONAL LUMEN SUMMARY | | | LUMINANCE | |
|-------------------|--------------|--------------------------|-----|---------------|------|------------------|---------|---------------------|--------|-----------|-------------------------|----------------------|
| Test Number | P201218 | | | | | Degrees Vertical | Candela | Zone | Lumens | % Fixture | Average Candela Degrees | Average 0° Luminance |
| Housing | LD6B40D010 | | | | | 0 | 7716 | 0-30 | 2735 | 80.4 | 45 | 1928 |
| Module | EU6B30508035 | | | | | 5 | 7196 | 0-40 | 3274 | 96.2 | 55 | 215 |
| Trim | 6LBN1LI | | | | | 15 | 4183 | 0-60 | 3399 | 99.9 | 65 | 74 |
| Lumens | 3404 | | | | | 25 | 2017 | 0-90 | 3404 | 100 | 75 | 0 |
| Efficacy | 81.4 Lm/W | 35 | 853 | 90-180 | 0 | 0 | 85 | 0 | | | | |
| SC | 0.53 | 45 | 126 | 0-180 | 3404 | 100 | | | | | | |
| | | 55 | 11 | | | | | | | | | |
| | | 65 | 3 | | | | | | | | | |
| | | 75 | 0 | | | | | | | | | |
| | | 85 | 0 | | | | | | | | | |
| | | 90 | 0 | | | | | | | | | |
| | | | | D | FC | L | W | | | | | |
| | | | | 5.5' | 255 | 2.8 | 2.8 | | | | | |
| | | | | 7' | 158 | 3.6 | 3.6 | | | | | |
| | | | | 8' | 121 | 4.2 | 4.2 | | | | | |
| | | | | 9' | 95 | 4.6 | 4.6 | | | | | |
| | | | | 10' | 77 | 5.2 | 5.2 | | | | | |
| | | | | 12' | 54 | 6.2 | 6.2 | | | | | |

| MEDIUM (50° BEAM) | | CANDLEPOWER DISTRIBUTION | | CONE OF LIGHT | | CANDELA TABLE | | ZONAL LUMEN SUMMARY | | | LUMINANCE | |
|-------------------|--------------|--------------------------|------|---------------|------|------------------|---------|---------------------|--------|-----------|-------------------------|----------------------|
| Test Number | P201216 | | | | | Degrees Vertical | Candela | Zone | Lumens | % Fixture | Average Candela Degrees | Average 0° Luminance |
| Housing | LD6B40D010 | | | | | 0 | 4794 | 0-30 | 2819 | 73.6 | 45 | 3303 |
| Module | EU6B30508035 | | | | | 5 | 4731 | 0-40 | 3602 | 94 | 55 | 370 |
| Trim | 6LBM1LI | | | | | 15 | 3946 | 0-60 | 3819 | 99.7 | 65 | 251 |
| Lumens | 3831 | | | | | 25 | 2829 | 0-90 | 3831 | 100 | 75 | 205 |
| Efficacy | 91.7 Lm/W | 35 | 1226 | 90-180 | 0 | 0 | 85 | 0 | | | | |
| SC | 0.85 | 45 | 216 | 0-180 | 3831 | 100 | | | | | | |
| | | 55 | 20 | | | | | | | | | |
| | | 65 | 10 | | | | | | | | | |
| | | 75 | 5 | | | | | | | | | |
| | | 85 | 0 | | | | | | | | | |
| | | 90 | 0 | | | | | | | | | |
| | | | | D | FC | L | W | | | | | |
| | | | | 5.5' | 159 | 4.6 | 4.6 | | | | | |
| | | | | 7' | 98 | 5.8 | 5.8 | | | | | |
| | | | | 8' | 75 | 6.6 | 6.6 | | | | | |
| | | | | 9' | 59 | 7.6 | 7.6 | | | | | |
| | | | | 10' | 48 | 8.4 | 8.4 | | | | | |
| | | | | 12' | 33 | 10 | 10 | | | | | |

| WIDE (75° BEAM) | | CANDLEPOWER DISTRIBUTION | | CONE OF LIGHT | | CANDELA TABLE | | ZONAL LUMEN SUMMARY | | | LUMINANCE | |
|-----------------|--------------|--------------------------|------|---------------|------|------------------|---------|---------------------|--------|-----------|-------------------------|----------------------|
| Test Number | P201214 | | | | | Degrees Vertical | Candela | Zone | Lumens | % Fixture | Average Candela Degrees | Average 0° Luminance |
| Housing | LD6B40D010 | | | | | 0 | 2742 | 0-30 | 2236 | 51.7 | 45 | 13769 |
| Module | EU6B30508035 | | | | | 5 | 2742 | 0-40 | 3439 | 79.5 | 55 | 3006 |
| Trim | 6LBW1LI | | | | | 15 | 2778 | 0-60 | 4301 | 99.4 | 65 | 430 |
| Lumens | 4326 | | | | | 25 | 2600 | 0-90 | 4326 | 100 | 75 | 234 |
| Efficacy | 103.5 Lm/W | 35 | 1957 | 90-180 | 0 | 0 | 85 | 0 | | | | |
| SC | 1.23 | 45 | 899 | 0-180 | 4326 | 100 | | | | | | |
| | | 55 | 159 | | | | | | | | | |
| | | 65 | 17 | | | | | | | | | |
| | | 75 | 6 | | | | | | | | | |
| | | 85 | 0 | | | | | | | | | |
| | | 90 | 0 | | | | | | | | | |
| | | | | D | FC | L | W | | | | | |
| | | | | 5.5' | 91 | 6.6 | 6.6 | | | | | |
| | | | | 7' | 56 | 8.6 | 8.6 | | | | | |
| | | | | 8' | 43 | 9.8 | 9.8 | | | | | |
| | | | | 9' | 34 | 11 | 11 | | | | | |
| | | | | 10' | 27 | 12.2 | 12.2 | | | | | |
| | | | | 12' | 19 | 14.6 | 14.6 | | | | | |

| SHALLOW (75° BEAM) | | CANDLEPOWER DISTRIBUTION | | CONE OF LIGHT | | CANDELA TABLE | | ZONAL LUMEN SUMMARY | | | LUMINANCE | |
|--------------------|--------------|--------------------------|------|---------------|------|------------------|---------|---------------------|--------|-----------|-------------------------|----------------------|
| Test Number | P35144 | | | | | Degrees Vertical | Candela | Zone | Lumens | % Fixture | Average Candela Degrees | Average 0° Luminance |
| Housing | LD6B40D010 | | | | | 0 | 2022 | 0-30 | 1506 | 34.2 | 45 | 17139 |
| Module | EU6B30508035 | | | | | 5 | 2005 | 0-40 | 2399 | 54.5 | 55 | 14033 |
| Trim | 6LBCS1MMS | | | | | 15 | 1897 | 0-60 | 3921 | 89 | 65 | 9486 |
| Lumens | 4403 | | | | | 25 | 1697 | 0-90 | 4403 | 100 | 75 | 3933 |
| Efficacy | 105.3 Lm/W | 35 | 1430 | 90-180 | 0 | 0 | 85 | 348 | | | | |
| SC | 1.16 | 45 | 1119 | 0-180 | 4403 | 100 | | | | | | |
| | | 55 | 743 | | | | | | | | | |
| | | 65 | 370 | | | | | | | | | |
| | | 75 | 94 | | | | | | | | | |
| | | 85 | 3 | | | | | | | | | |
| | | 90 | 0 | | | | | | | | | |
| | | | | D | FC | L | W | | | | | |
| | | | | 5.5' | 67 | 6.2 | 6.2 | | | | | |
| | | | | 7' | 41 | 8 | 8 | | | | | |
| | | | | 8' | 32 | 9.2 | 9.2 | | | | | |
| | | | | 9' | 25 | 10.4 | 10.4 | | | | | |
| | | | | 10' | 20 | 11.6 | 11.6 | | | | | |
| | | | | 12' | 14 | 13.8 | 13.8 | | | | | |