

Please go to www. quozel. com for product cleaning tips. Go to the **Care + Maintenance** selection.

Tools Required: Flathead screwdriver, Phillips screwdriver, pliers, wire cutters, wire strippers, electrical tape, safety glasses.

Light Source: (3) A19 Medium Base Bulbs 100W Maximum.

Estimated Assembly Time: 30-45 minutes

Preparation: Identify and inspect all parts before beginning installation. Check package content list and diagrams below to be sure all parts are present. If any parts are missing or damaged, do not attempt to assemble, install, or operate the fixture. Contact customer service for replacement parts.

Note: This CONVERTIBLE fixture can be mounted as pendant light or semi-flush light. Refer to respective installation steps for installations.

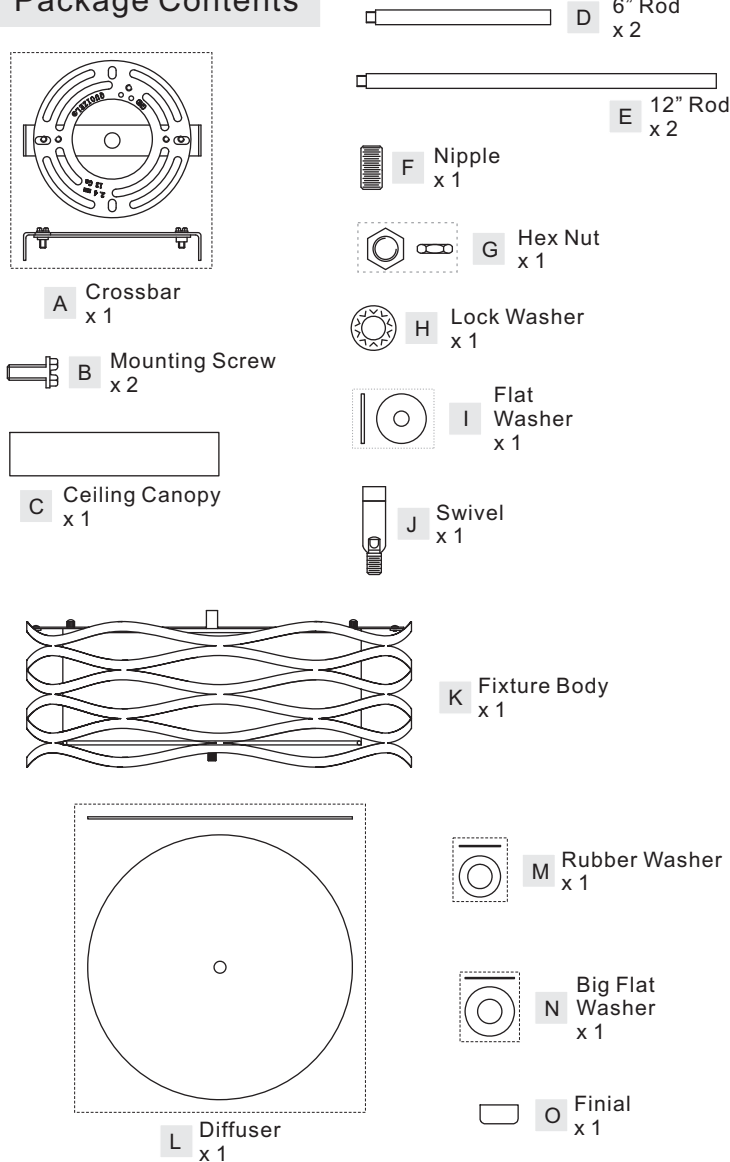
⚠ Warnings and Cautions

Turn off electricity at circuit breaker or main fuse box before installation. Consult a licensed electrician if in doubt.

These instructions are provided for your safety. It is very important you read them completely before installing the fixture. We strongly recommend that a licensed, professional electrician perform the installation.

Disconnect fixture from power source before replacing bulbs. Make sure bulbs are given sufficient time to cool before removal.

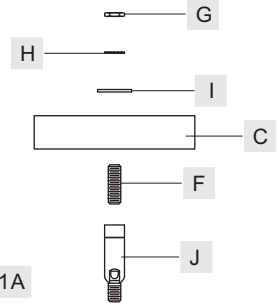
Package Contents



Assembly Instructions for Pendant Light (Step 1A - Step 6A)

STEP 1A - Attach Swivel and Ceiling Canopy together

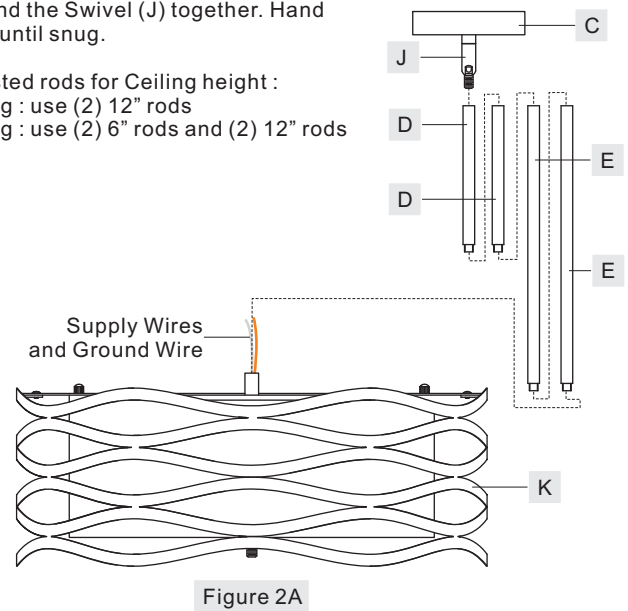
- A. Thread Nipple (F) onto the Swivel (J).
- B. Place Ceiling Canopy (C), Flat Washer (I) and Lock Washer (H) over the Nipple (F). Secure by threading Hex Nut (G) onto the Nipple (F), tighten until snug with screwdrivers.



STEP 2A - Assemble Rods and the Ceiling Canopy

- A. Determine Rods (D/E) to be assembled to Fixture Body (K) according to your hanging height.
- C. Pass supply wires and ground wire through the chosen rods (D/E) and Ceiling Canopy (C). Thread Fixture Body (K), the chosen Rods (D/E) and the Swivel (J) together. Hand tighten until snug.

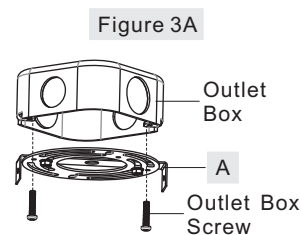
Suggested rods for Ceiling height :
 8' ceiling : use (2) 12" rods
 9' ceiling : use (2) 6" rods and (2) 12" rods



Thank you for purchasing a Quoizel product.
Need assistance with parts or assembly? Call Quoizel customer service at 1-800-645-3184
or visit us on-line at www. quozel. com

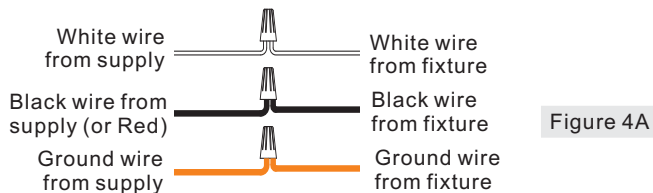
STEP 3A – Attach Crossbar to Outlet Box

A. Attach the Crossbar (A) to Outlet Box and secure by threading Outlet Box Screws (not supplied) into the Mounting Holes on the Outlet Box. Tighten until snug.



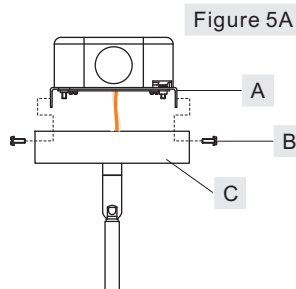
STEP 4A - Wire Connections

A. Use standard wire connectors (not included) to make all wire connections. Twist connectors until wires are tightly joined together. Wrap each connection with approved electrical tape and carefully stuff all the connected wires into the Outlet Box.



STEP 5A – Attach Ceiling Canopy to Crossbar

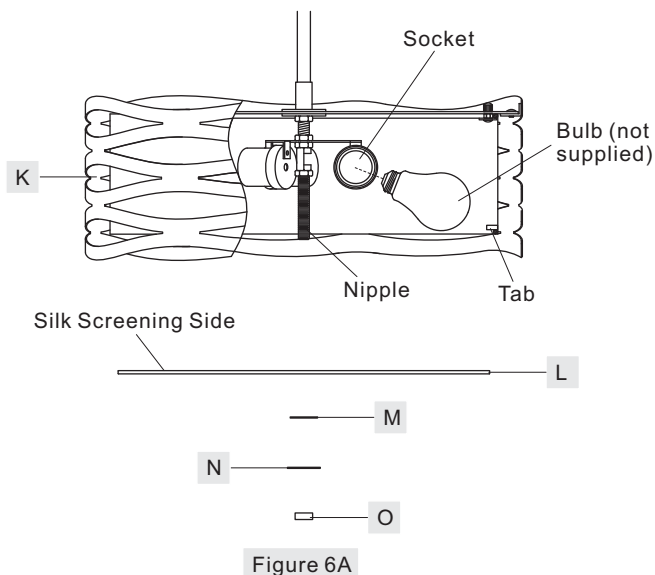
A. Fit electrical wires in the Ceiling Canopy (C) properly. Line up the holes on the side of the Ceiling Canopy (C) to the mounting holes on the Crossbar (A). Secure them with Mounting Screws (B). Tighten until snug.



STEP 6A – Install Diffuser and Bulbs

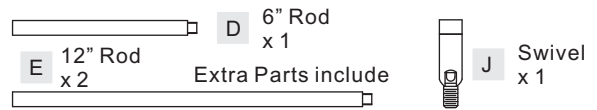
A. Place the Diffuser (L) over the Nipple in the center of the Fixture Body (K) with the Silk Screening Side against the shade. Attach the Diffuser (L) to the Tabs on the bottom edge of the inner shade. Place the Rubber Washer (M) and the Big Flat Washer (N) over the end of the nipple and secure with the Finial (O). Hand tighten until snug.
B. Insert bulbs to sockets and screw snugly into place.

Your fixture is now assembled and ready to use. Enjoy!



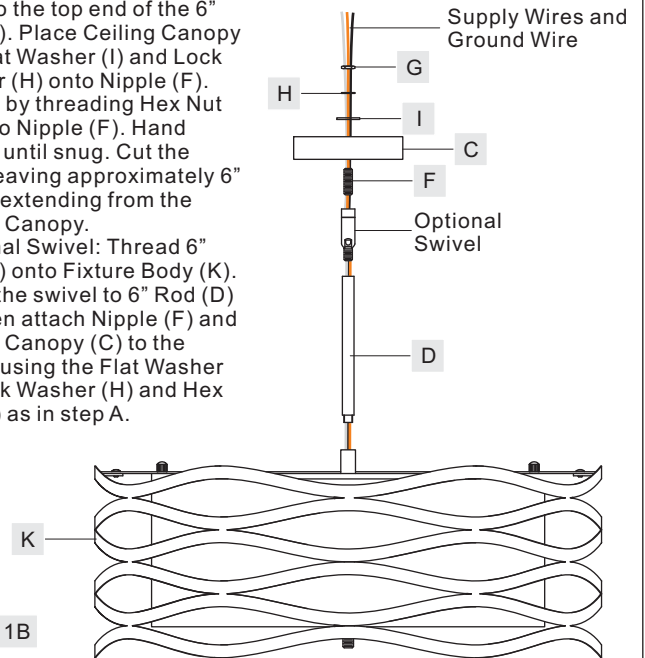
Assembly Instructions for Semi-flush Light (Step 1B - Step 5B)

Part D, Part E and Part J will not be used in the assembly of the Semi-Flush Light fixture. Please set aside these parts.



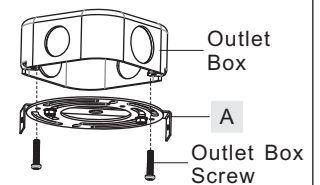
STEP 1B – Install Ceiling Canopy and 6” Rod to Fixture Body

A. Pass supply wires with ground wire through 6” Rod (D), Nipple (F), Ceiling Canopy (C), Flat Washer (I), Lock Washer (H) and Hex Nut (G). Thread 6” Rod (D) onto Fixture Body (K) and thread the Nipple (F) onto the top end of the 6” Rod (D). Place Ceiling Canopy (C), Flat Washer (I) and Lock Washer (H) onto Nipple (F). Secure by threading Hex Nut (G) onto Nipple (F). Hand tighten until snug. Cut the wires leaving approximately 6” of wire extending from the Ceiling Canopy.
B. Optional Swivel: Thread 6” Rod (D) onto Fixture Body (K). Install the swivel to 6” Rod (D) and then attach Nipple (F) and Ceiling Canopy (C) to the Swivel using the Flat Washer (I), Lock Washer (H) and Hex Nut (G) as in step A.



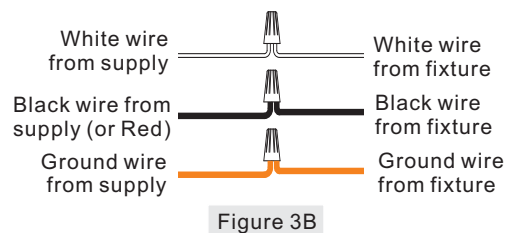
STEP 2B – Attach Crossbar to Outlet Box

A. Attach the Crossbar (A) to Outlet Box and secure by threading Outlet Box Screws (not supplied) into the Mounting Holes on the Outlet Box. Tighten until snug.



STEP 3B - Wire Connections

A. Use standard wire connectors (not included) to make all wire connections. Twist connectors until wires are tightly joined together. Wrap each connection with approved electrical tape and carefully stuff all the connected wires into the Outlet Box.



Thank you for purchasing a Quoizel product.
Need assistance with parts or assembly? Call Quoizel customer service at 1-800-645-3184 or visit us on-line at www.quoizel.com

STEP 4B – Attach Ceiling Canopy to Crossbar

A. Fit electrical wires in the Ceiling Canopy (C) properly. Line up the holes on the side of the Ceiling Canopy (C) to the mounting holes on the Crossbar (A). Secure them with Mounting Screws (B). Tighten until snug.

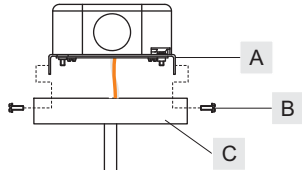
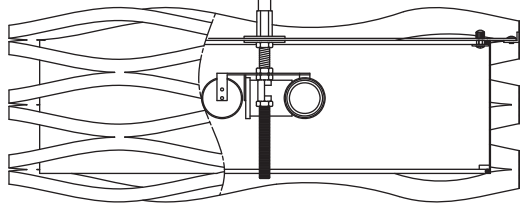


Figure 4B



STEP 5B – Install Diffuser and Bulbs

A. Place the Diffuser (L) over the Nipple in the center of the Fixture Body (K) with the Silk Screening Side against the shade. Attach the Diffuser (L) to the Tabs on the bottom edge of the inner shade. Place the Rubber Washer (M) and the Big Flat Washer (N) over the end of the nipple and secure with the Finial (O). Hand tighten until snug.
 B. Insert bulbs to sockets and screw snugly into place.

Your fixture is now assembled and ready to use. Enjoy!

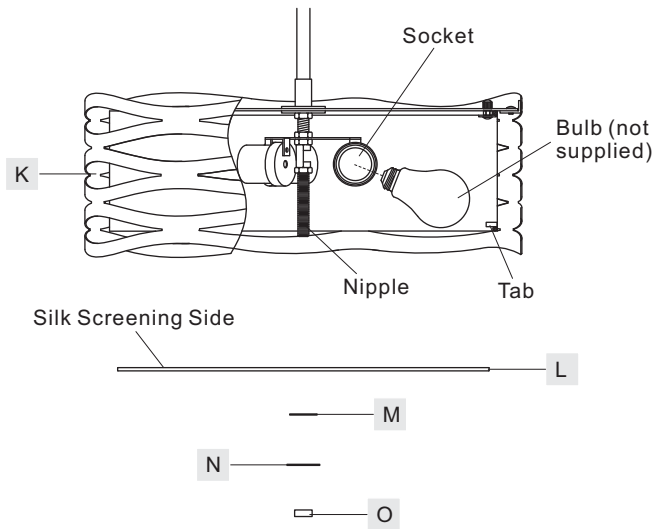
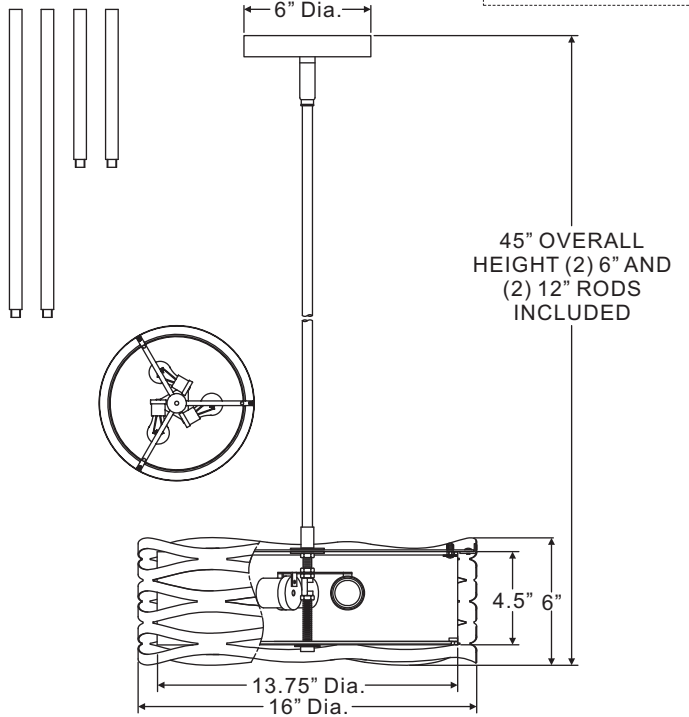
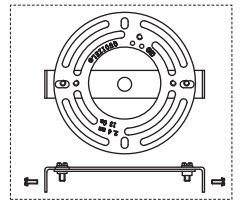


Figure 5B

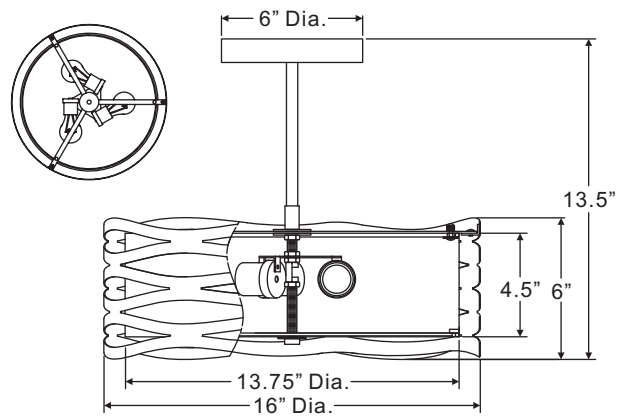
PCMC2816C

FINISH: POLISHED CHROME

PENDANT LIGHT



SEMI-FLUSH



NOTE: ALL DIMENSIONS ARE ROUNDED UP TO THE NEAREST 1/4"

Thank you for purchasing a Quoizel product.
 Need assistance with parts or assembly? Call Quoizel customer service at 1-800-645-3184
 or visit us on-line at www.quoise.com