

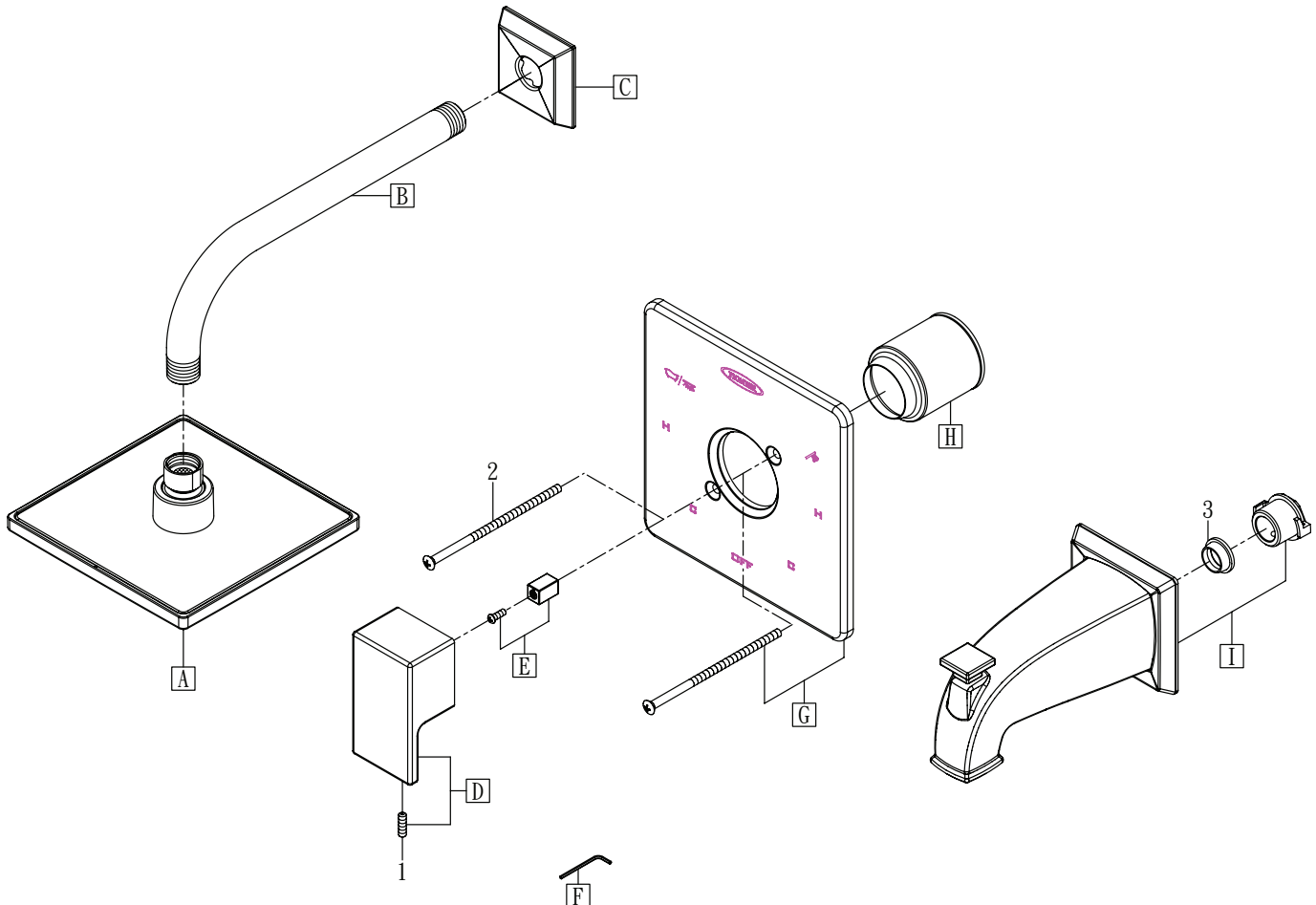


PARTS BREAKDOWN SHEET ENGINEERING EXCELLENCE

Model Number: TD-4MO100, TD-4MO300

* Note- Please Specify finish\color code while ordering.

	ITEM #	DESCRIPTION
A	X-6400088*	1.75 GPM Shower Head
B	X-6400104*	Shower Arm
C	X-6400103*	Shower Arm Flange
D	X-1400043*	Metal Lever Handle
E	X-4400116	Handle Adapter
F	OP-490011	3/32" Allen Wrench
G	X-4400123*	Face Plate
H	OP-440054*	Sleeve
I	X-6400086*	1/2" Combo Diverter Tub Spout (For TD-4MO100)
1	X-4900080	Allen Screw
2	OP-440010*	Face Plate Screws
3	OP-640058	Gasket



PARTS BREAKDOWN SHEET



Model Number: P-4440

* Note: Please specify finish/color when ordering.

	ITEM #	DESCRIPTION
A	OP-660008*	1.75 GPM Handheld Showerhead
B	OP-460027*	60" SST Hose
C	OP-460020*	Vacuum Breaker
D	OP-460006*	Drop Ell
E	OP-460028*	Grab Bar
1	OP-460025	Washer
2	OP-460029	Handheld Shower Holder
3	OP-460030	Mounting Kit

