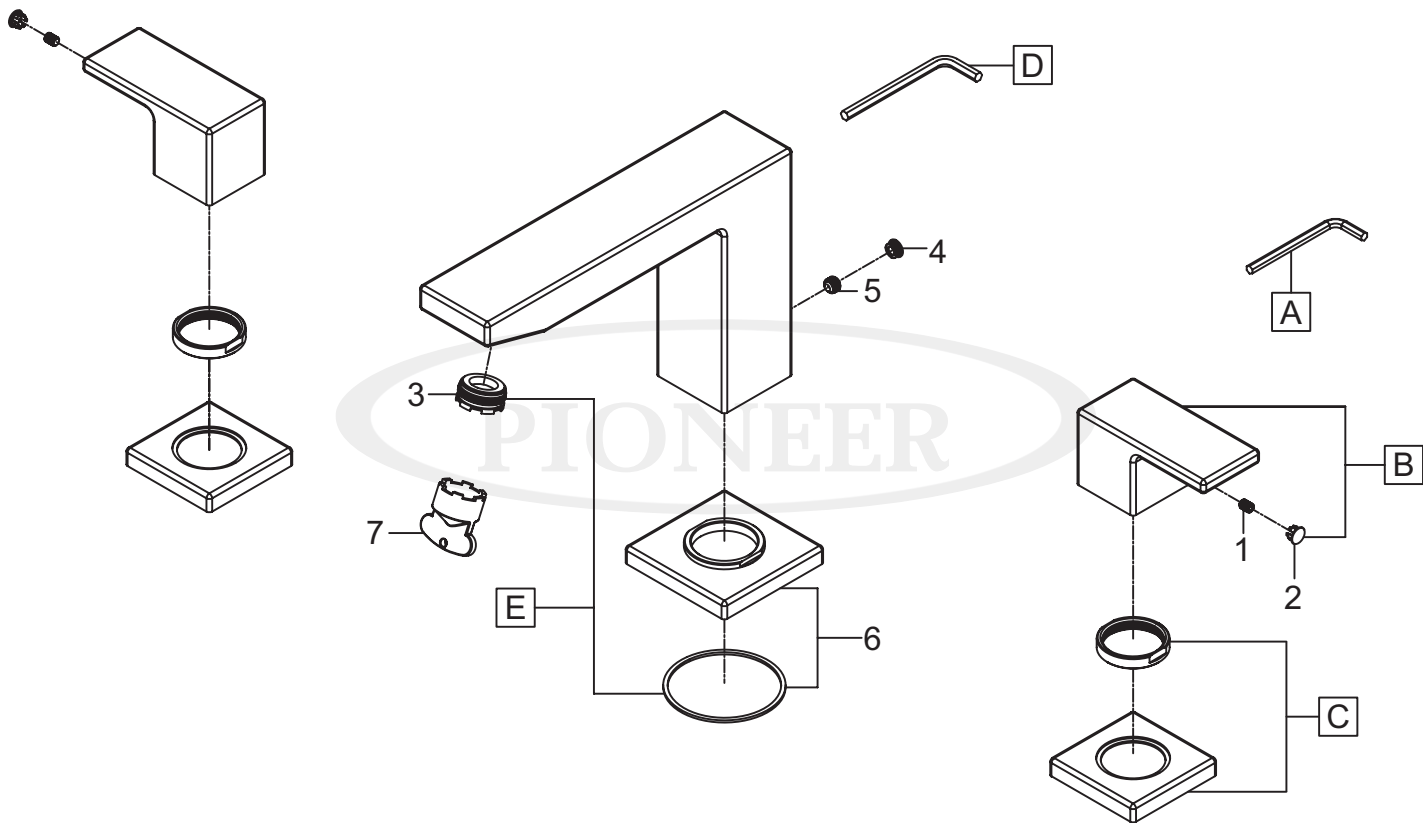




**PARTS BREAKDOWN SHEET** ENGINEERING EXCELLENCE

**Two Handle Roman Tub Trim Set**



ITEM#	DESCRIPTION	ITEM#	DESCRIPTION		
A	X-4900024	3/32" Allen Wrench	1	X-4900002	Allen Screw
B	X-1400044*	Lever Handle	2	X-4900044*	Hole Cover
C	X-4400108*	Valve Escutcheon & Sleeve	3	X-4400102	Flow Streamer
D	X-4400058	5/32" Allen Wrench	4	X-4400073*	Hole Cover
E	X-2400019*	Rigid Spout	5	X-4400028	Allen Screw
			6	X-4400109*	Spout Escutcheon & Gasket
			7	X-4400071	Flow Streamer Removal Tool

\* Note- Please Specify finish/color code while ordering.