



ENGINEERING EXCELLENCE

Legacy Series #2LG220

PARTS BREAKDOWN SHEET

DESCRIPTION

- Single Handle Pull-Out Kitchen Faucet
- Metal Lever Handle
- Pull-Out Head with 2 Spray Patterns Swivel 180°
- 9" Reach, 7" from Deck to Aerator
- Ceramic Disc Cartridge with Temperature Limit Stop
- 1 or 3 Hole 8" Installation
- Integral Vacuum Breaker
- Easy-Install 30" Flex Supply Lines With 3/8" Connections

FINISHES

- PC Polished Chrome
- BN PVD Brushed Nickel
- ORB Oil Rubbed Bronze
- MZ Moroccan Bronze



#2LG220 SHOWN * ADA 

STANDARDS APPLICABLE

- ASME A112.18.1
- ANSI A117.1
- ANSI / NSF 61, SECTION 9
- CUPC / IAPMO LISTED / ADA COMPLIANT
- CONTAINS NO MORE THAN 0.25% WEIGHTED AVERAGE LEAD CONTENT

FLOW

- Pull-Out Spray Head Limited to 1.8 GPM

Model #: _____

Specific Features: _____

Project Name: _____

Submitted For: _____

Model	Description	Finishes	
#2LG220	Single Handle Pull-out Kitchen Faucet	<input type="checkbox"/> PC	<input type="checkbox"/> Other____

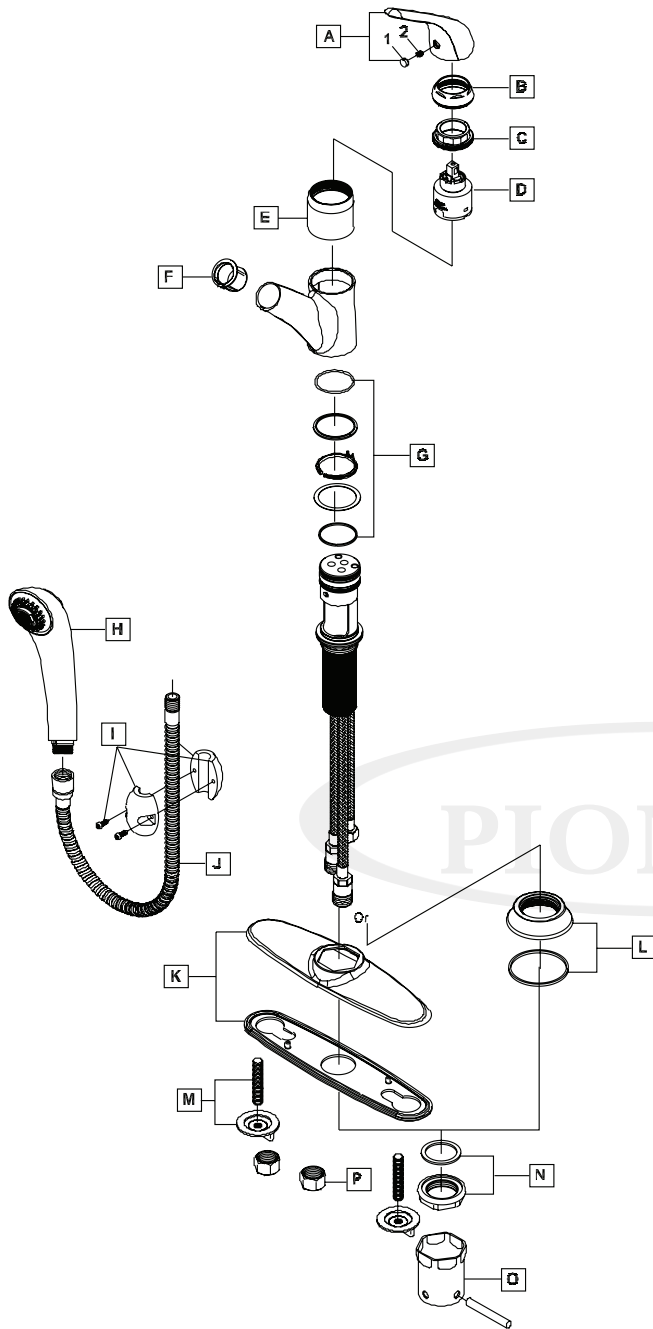


ENGINEERING EXCELLENCE

Pioneer:1-800-338-9468
 Commerce, CA 90040
 www.pioneerind.com
 Pioneer Industries, Inc. © 2016

DMPB2LG220/REV. 08 2016

Page 1 of 2



	ITEM#	DESCRIPTION
A	X-1200020*	Legacy Lever Handle
B	X-4200145*	Retainer Cap
C	X-4200146	Retainer Nut
D	X-3200001	Ceramic Disc Cartridge
E	X-4200147*	Retainer Sleeve
F	X-4200148	Hose Support
G	X-4200149	Spout Repair Kit
H	X-4200150*	Pull-Out Spray Head
I	X-4200041	Weight
J	X-4200040	Spray Head Hose
K	X-4200151*	Deck Plate
L	X-4200152*	Escutcheon
M	X-5200001	Mounting Kit
N	X-5200019	Mounting Kit
O	X-5200020	Mounting Tool
P	X-4900004	Supply Nut
1	X-4900001*	Hole Cover
2	X-4900002	Allen Screw

* Note- Please specify finish/color code while ordering.

Product Diagram



ENGINEERING EXCELLENCE

Pioneer:1-800-338-9468
 Commerce, CA 90040
 www.pioneerind.com
 Pioneer Industries, Inc. © 2016



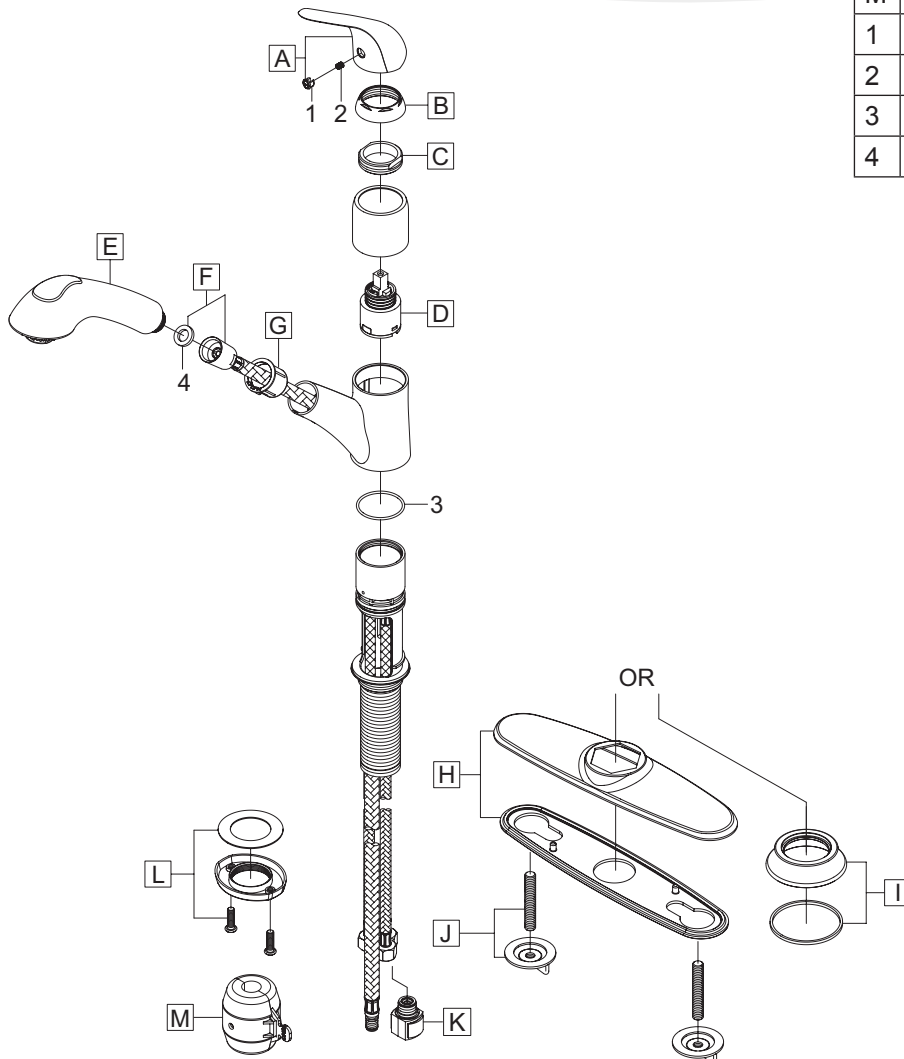
PARTS BREAKDOWN SHEET ENGINEERING EXCELLENCE

Model Number: 2LG220

* Note- Please Specify finish\color code while ordering.

* Note - Parts L, K, and M include only on the product purchased after March 2019.

	ITEM #	DESCRIPTION
A	X-1200001*	Lever Handle
B	OP-420043*	Cap
C	OP-420042	Retainer Nut
D	X-3900001	Ceramic Disc Cartridge
E	X-4200183*	1.8 GPM Spray Head
F	X-4200197	Spray Hose
G	X-4200148	Spray Head Support
H	X-4200151*	Deck Plate & Base Gasket
I	X-4200152*	Escutcheon & Gasket
J	X-5200006	Mounting Bolts & Nuts
K	X-4200199	Quick Connect
L	OP-520015	Locknut with Screws
M	OP-420070	Weight
1	X-4900001	Hole Cover
2	X-4900002	Allen Screw
3	OP-420010	O-Ring
4	OP-420075	Washer





PARTS BREAKDOWN SHEET ENGINEERING EXCELLENCE

Model Number: 2LG220

* Note- Please Specify finish\color code while ordering.

* Note- 1.8 GPM Spray Head replaced by 1.5 GPM Spray Head for product purchase after March 2020.

	ITEM #	DESCRIPTION
A	X-1200001*	Lever Handle
B	OP-420043*	Cap
C	OP-420042	Retainer Nut
D	X-3900001	Ceramic Disc Cartridge
E	X-4200156*	1.5 GPM Spray Head
F	X-4200197	Spray Hose
G	X-4200148	Spray Head Support
H	X-4200151*	Deck Plate & Base Gasket
I	X-4200152*	Escutcheon & Gasket
J	X-5200006	Mounting Bolts & Nuts
K	X-4200199	Quick Connect
L	OP-520015	Locknut with Screws
M	OP-420070	Weight
1	X-4900001	Hole Cover
2	X-4900002	Allen Screw
3	OP-420010	O-Ring
4	OP-420075	Washer

