



# INSTALLATION

**PIONEER INDUSTRIES, INC.**  
3325 S. Garfield Ave.  
Commerce, CA 90040  
(800) 338-9468  
www.pioneerind.com

**Tools:**



Adjustable Wrench



Plumbers Putty



Teflon Tape



Rags

**Model Number:** T-4DM100 (300), T-4AM100  
T-4LG100 (300, 400)

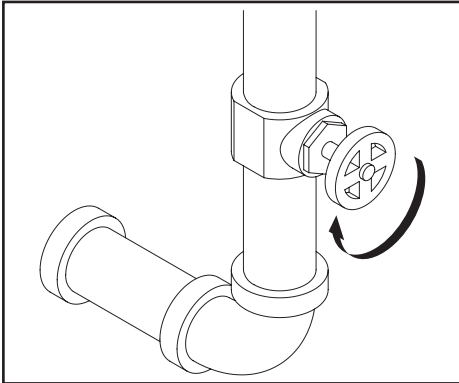


**Warnings and Notes:**

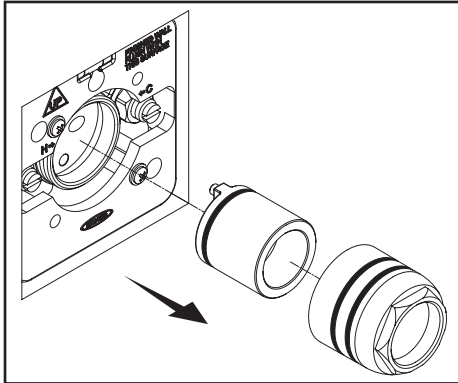
Check with local plumbing code requirements before installation.  
This product should be installed by a local listed plumber.  
**Do not use plumbers putty on threads.**

**Installation Steps:**

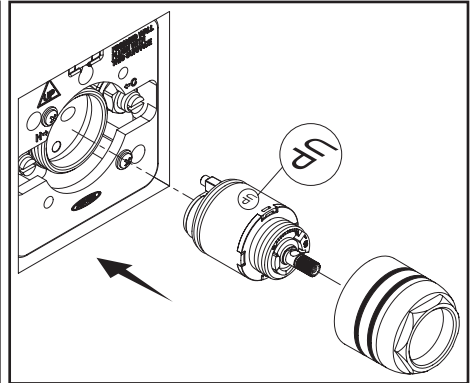
Single Handle Tub / Shower Trim Set



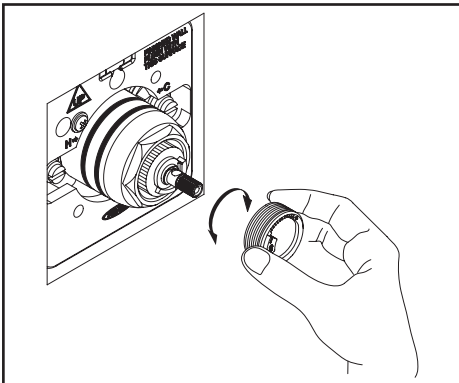
(1) Turn off water supply.



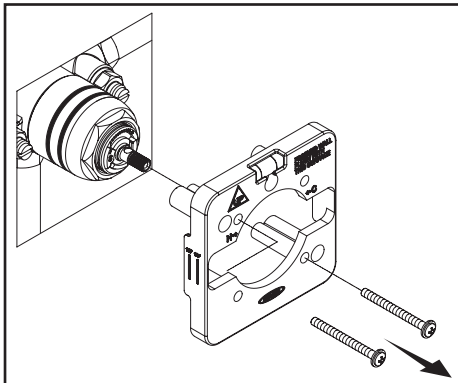
(2) Remove sleeve nut and test cap.



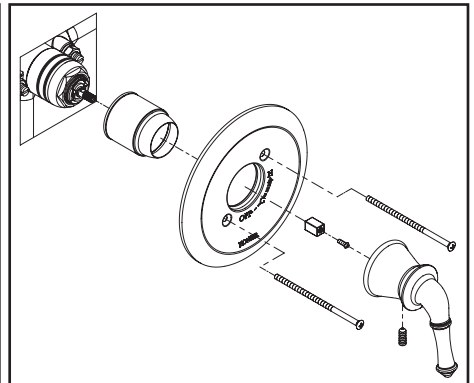
(3) Make sure "UP" marking is on top, install the cartridge and hand tighten the sleeve nut. Then tighten the sleeve nut a quarter turn more by using a wrench or a 1-7/16" socket to secure the cartridge.



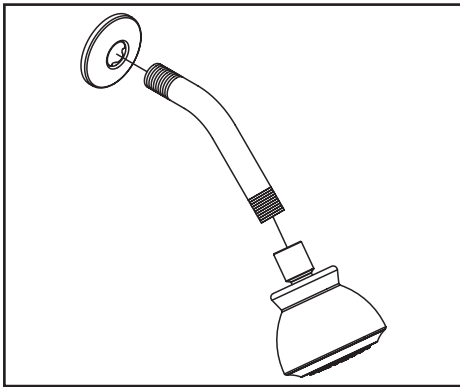
(4) With cartridge in off position; lift and adjust temperature limit cap to desired temperature, turn clockwise to decrease the temperature setting and turn counter-clockwise to increase the temperature setting.



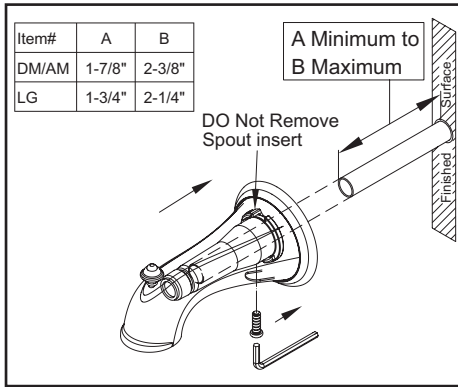
(5) Remove mud guard.



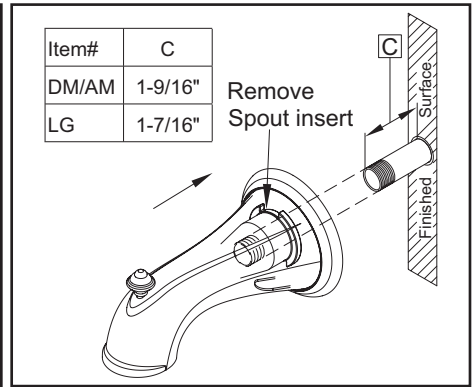
(6) Install sleeve, face plate and handle.



(7) Apply Teflon tape on both thread ends of the shower arm and install shower arm and shower head.



(8) For copper pipe, please see the distance charts on the installation instruction pictures for correct installation for each series of tub spout.

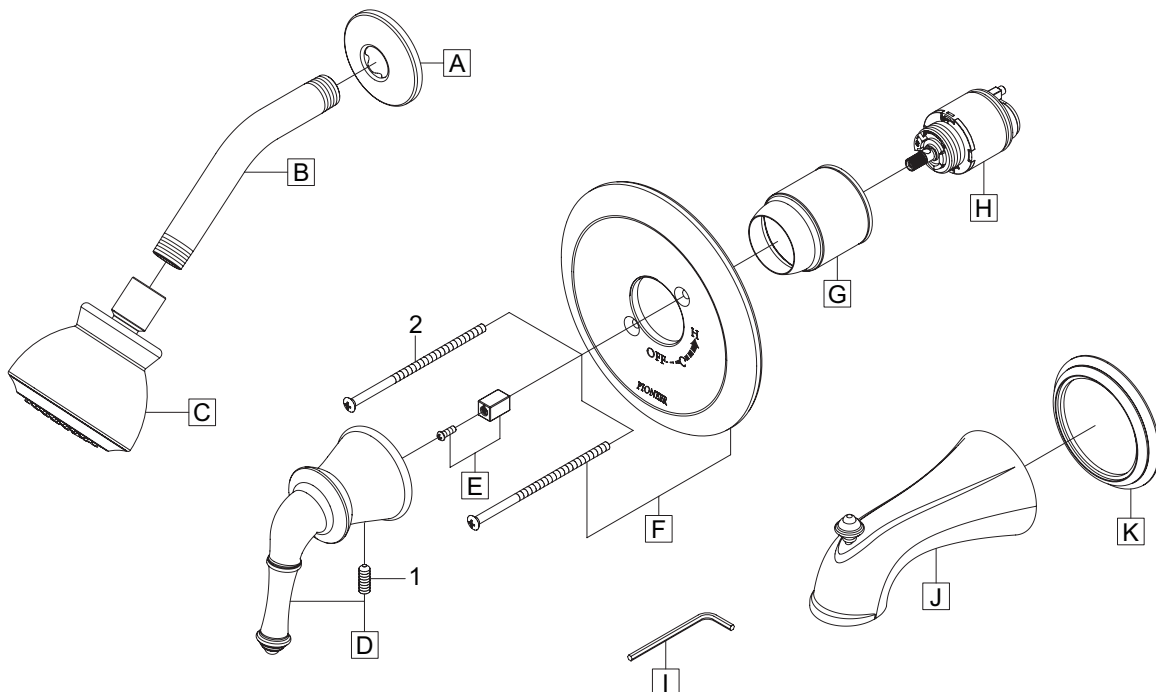


(9) For pipe thread nipple, remove spout insert and apply Teflon tape on the thread end of the nipple, please see the distance charts on the installation instruction pictures for correct installation for each series of tub spout.

## Exploded Drawing : (For T-4DMX00)

\* Note: Please specify finish/color when ordering.

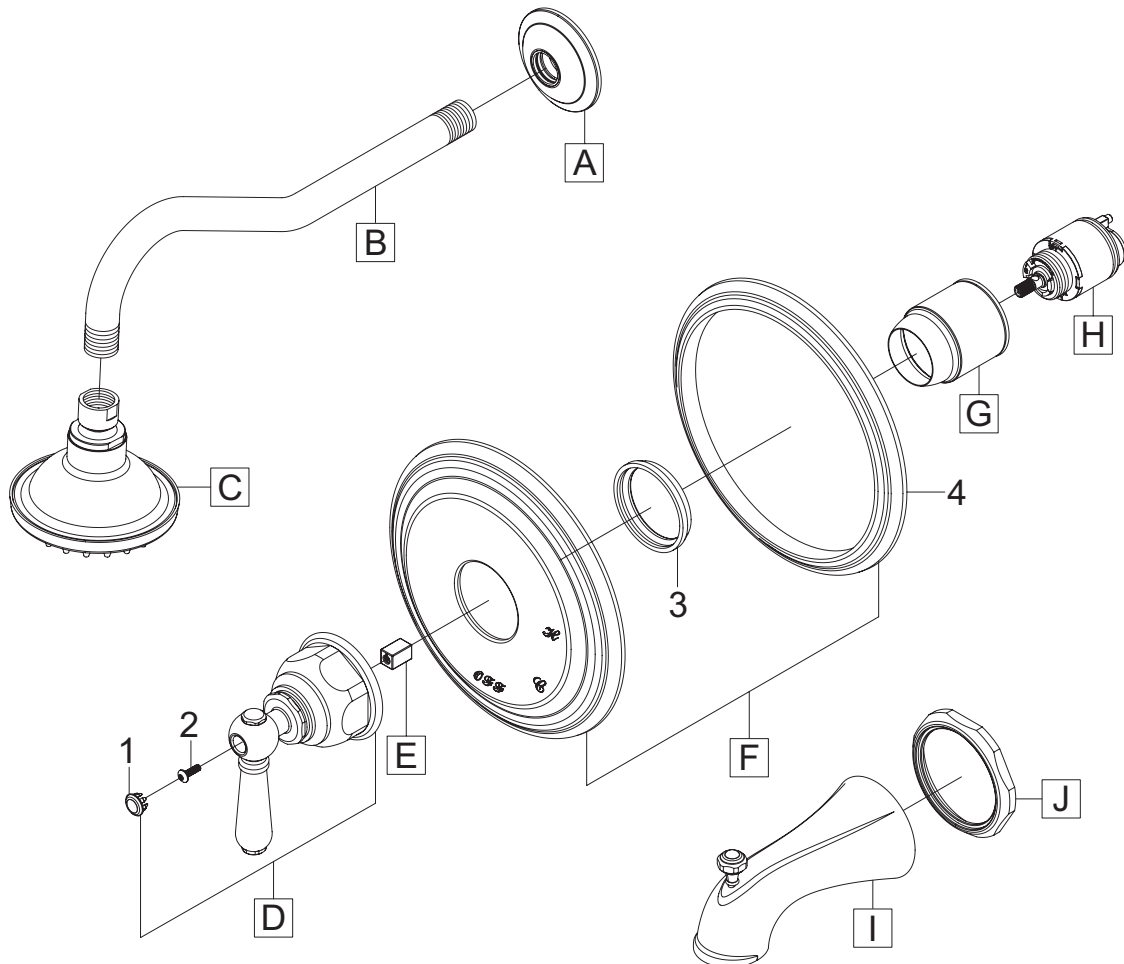
	ITEM #	DESCRIPTION
A	X-6400015*	Shower Arm Flange
B	X-6400002*	Shower Arm
C	X-6400081*	1.75 GPM Shower Head
D	X-1400026*	Lever Handle
E	X-4400116	Handle Adapter
F	X-6400059*	Face Plate
G	OP-440054*	Sleeve
H	OP-340009	Ceramic Cartridge & Spool
I	X-4900024	3/32" Allen Wrench
J	X-6400021*	Diverter Tub Spout (For T-4DM100)
K	X-4400002*	Spout Escutcheon (For T-4DM100)
1	X-4900080	3/32" Allen Screw
2	X-4400062*	Face Plate Screws



# Exploded Drawing : (For T-4AM100)

\* Note: Please specify finish/color when ordering.

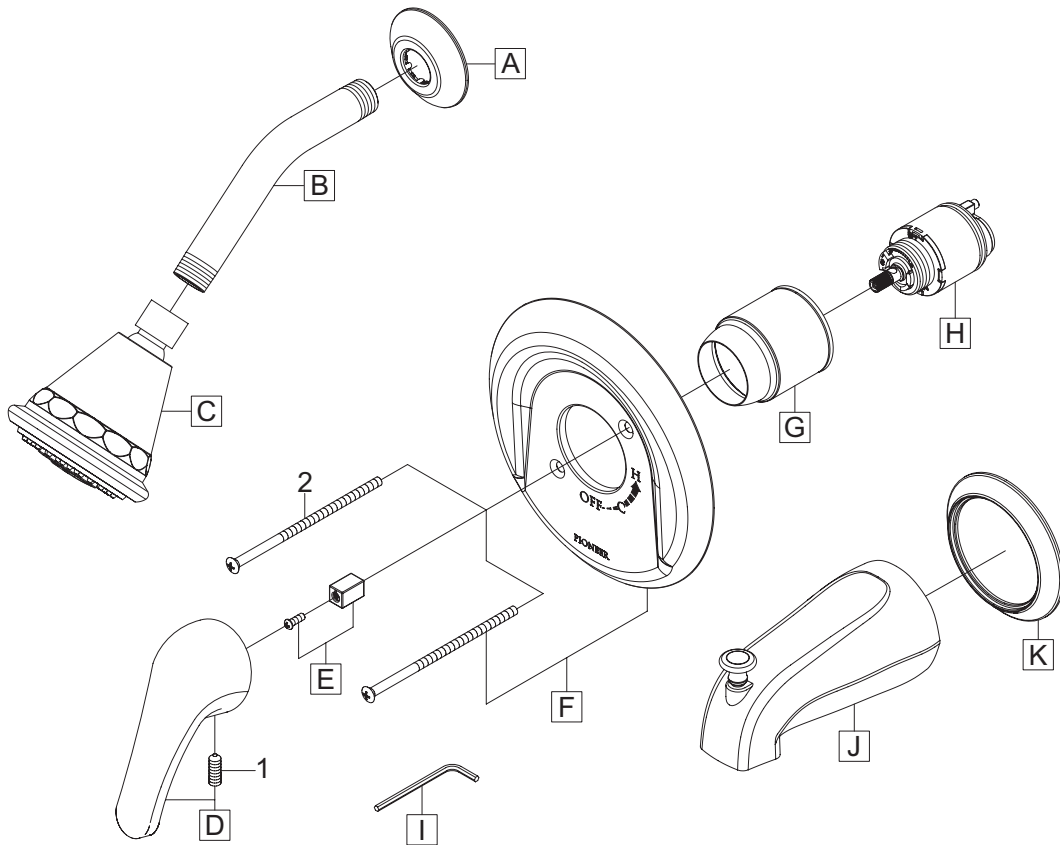
	ITEM #	DESCRIPTION
A	X-6400006*	Shower Arm Flange
B	X-6400005*	Shower Arm
C	X-6400097*	1.75 GPM Shower Head
D	X-1400029*	Lever Handle
E	X-4400116	Handle Adapter
F	X-6400007*	Face Plate
G	OP-440054*	Sleeve
H	OP-340009	Ceramic Cartridge & Spool
I	X-6400008*	Diverter Tub Spout
J	X-4400065*	Spout Escutcheon
1	X-4900042P*	Button
2	X-4200160	Handle Screw
3	X-4400021	Gasket
4	X-4400022	Rubber Gasket



# Exploded Drawing : (For T-4LGX00)

\* Note: Please specify finish/color when ordering.

	ITEM #	DESCRIPTION
A	X-6400003*	Shower Arm Flange
B	X-6400002*	Shower Arm
C	X-6400079*	1.75 GPM Shower Head
D	X-1400025*	Lever Handle
E	X-4400116	Handle Adapter
F	X-6400058*	Face Plate
G	OP-440054*	Sleeve
H	OP-340009	Ceramic Cartridge & Spool
I	X-4900024	3/32" Allen Wrench
J	X-6400050*	Diverter Tub Spout (For T-4LG100)
K	X-4400067*	Spout Escutcheon (For T-4LG100)
1	X-4900080	3/32" Allen Screw
2	X-4400062*	Face Plate Screws



For more care information or trouble shooting inquiries about your Pioneer product, please call:  
**Pioneer Industries, Inc.** (800) 338-9468  
 Monday-Friday 8 AM to 8 PM EST (5 AM to 5 PM PST)  
[www.pioneerind.com](http://www.pioneerind.com)