



OLYMPIA FAUCETS, INC.
3325 S. Garfield Ave.
Commerce, CA 90040
(888) 772-7701
www.olympiafaucets.com

INSTALLATION

Tools:



Adjustable Wrench



Plumbers Putty



Teflon Tape



Rags

Model Number: T-230X, T-231X, T-233X, T-234X
T-235X, T-236X, T-237X, T-238X, T-239X, T-2391X

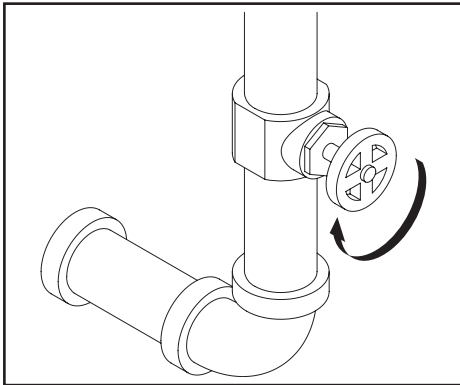
Warnings and Notes:

Check with local plumbing code requirements before installation.
This product should be installed by a local listed plumber.
Do not use plumbers putty on threads.

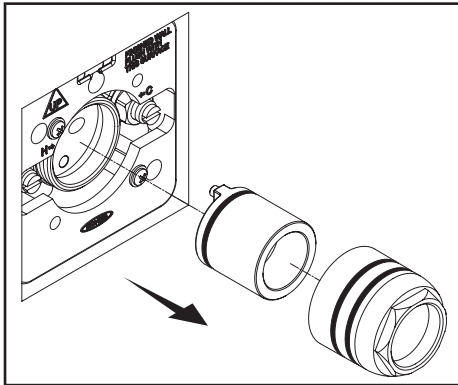


Installation Steps:

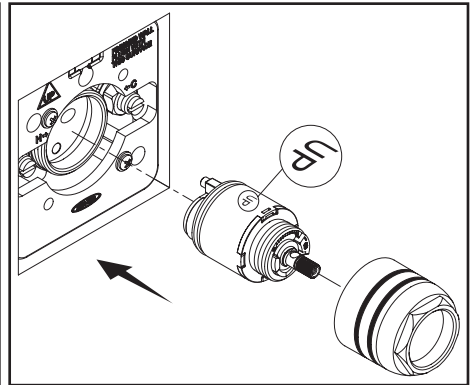
Single Handle Tub / Shower Trim Set



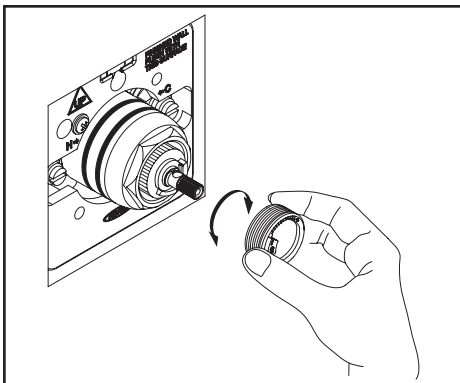
(1) Turn off water supply.



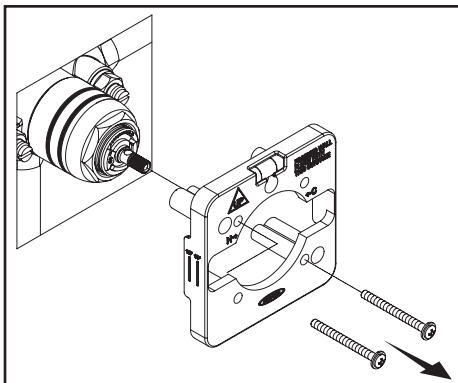
(2) Remove sleeve nut and test cap.



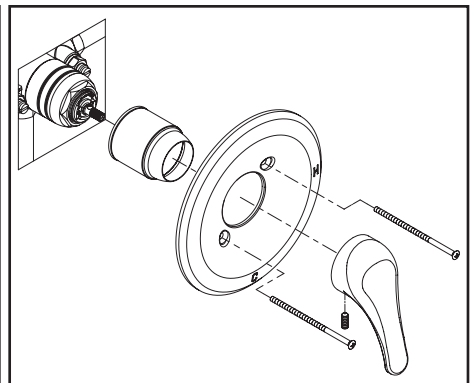
(3) Make sure "UP" marking is on top, install the cartridge and hand tighten the sleeve nut. Then tighten the sleeve nut a quarter turn more by using a wrench or a 1-7/16" socket to secure the cartridge.



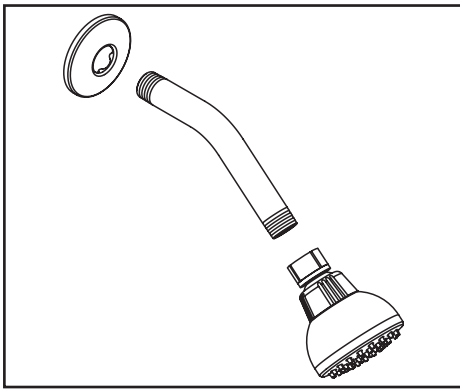
(4) With cartridge in off position; lift and adjust temperature limit cap to desired temperature, turn clockwise to decrease the temperature setting and turn counter-clockwise to increase the temperature setting.



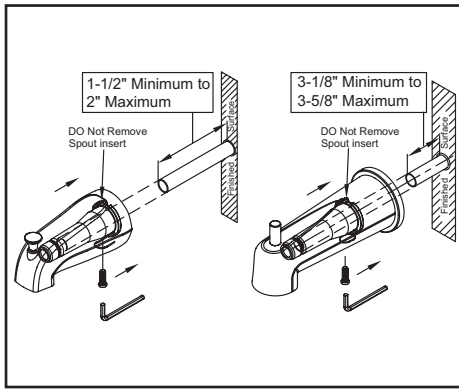
(5) Remove mud guard.



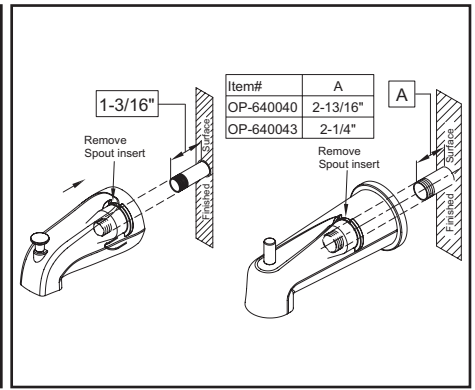
(6) Install sleeve, face plate and handle.



(7) Apply Teflon tape on both thread ends of the shower arm and install shower arm and shower head.



(8) For copper pipe, please see the distance charts on the installation instruction pictures for correct installation for each series of tub spout.



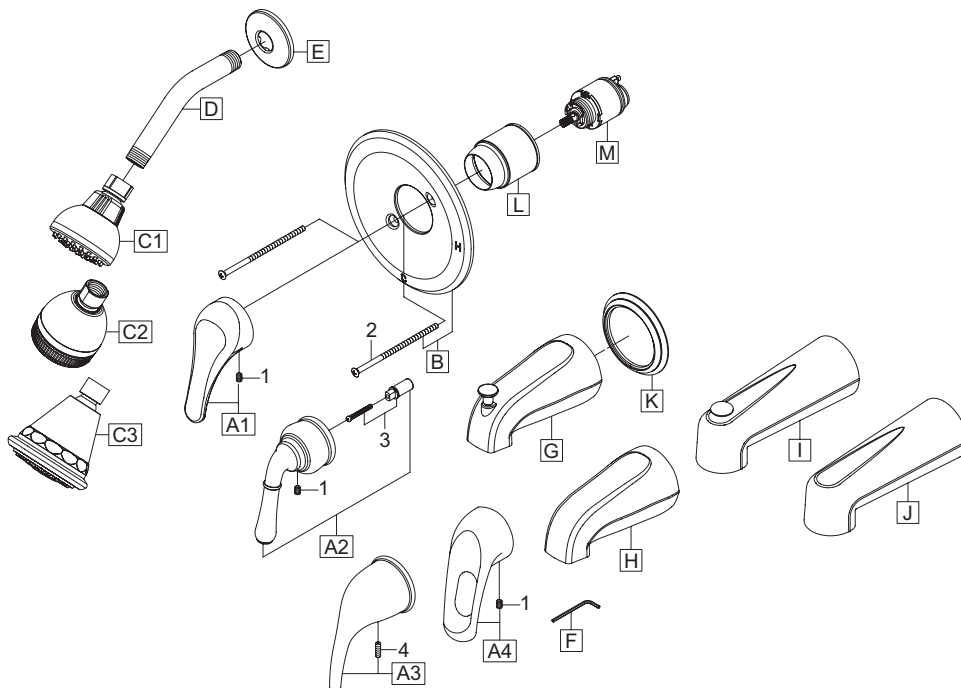
(9) For pipe thread nipple, remove spout insert and apply Teflon tape on thread of nipple, please see the distance charts on the installation instruction pictures for correct installation for each series of tub spout.

Exploded Drawing: (T-230X, T-231X, T-234X, T-235X, T-236X)

* Note: Please specify finish/color when ordering.

	ITEM #	DESCRIPTION
G	OP-640018*	Diverter Tub Spout (For T-23X0)
H	OP-640019*	Tub Spout (For T-23X1)
I	OP-640033*	7" Extended Diverter Tub Spout (For T-2353)
J	OP-640034*	7" Extended Tub Spout (For T-2354)
K	OP-440042*	Spout Escutcheon (For T-235X)
L	OP-440054*	Sleeve
M	OP-340009	Ceramic Cartridge & Spool
1	OP-490029	Allen Screw
2	OP-440010*	Face Plate Screws
3	OP-440033	Handle Adapter
4	OP-440043	Allen Screw

	ITEM #	DESCRIPTION
A1	OP-140014*	Metal Lever Handle (For T-230X)
A2	OP-140008*	Lever Handle (For T-234X, T-235X)
A3	OP-140015*	Lever Handle (For T-236X)
A4	OP-140010*	Loop Handle (For T-231X)
B	OP-440009*	Face Plate
C1	OP-640053*	1.5 GPM Showerhead (For T-230X, T-231X)
C2	OP-640029*	1.75 GPM Showerhead (For T-234X, T-236X)
C3	OP-640035*	1.75 GPM Showerhead (For T-235X)
D	OP-640002*	Shower Arm
E	OP-640001*	Shower Arm Flange
F	OP-490011	3/32" Allen Wrench

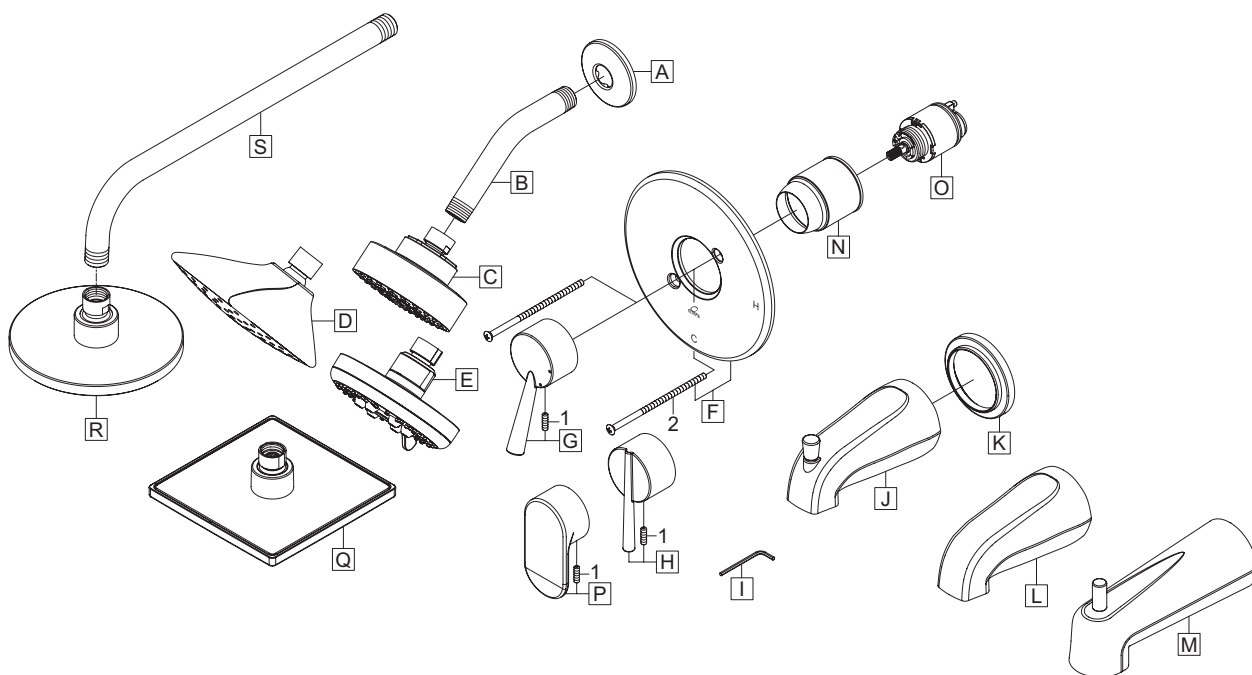


Exploded Drawing: (T-233X, T-237X, T-238X)

* Note: Please specify finish/color when ordering.

	ITEM #	DESCRIPTION
K	OP-640008*	Spout Escutcheon (For T-23X0, T-23X1, T-23X4, T-23X6)
L	OP-640019*	Tub Spout (For T-23X1)
M	OP-640040*	7" Extended Diverter Tub Spout (For T-23X4)
N	OP-440054*	Sleeve
O	OP-340009	Ceramic Cartridge & Spool
P	OP-140020*	Lever Handle (For T-233X)
Q	X-6400088*	1.75 GPM Shower Head (For T-239X-6)
R	OP-640047*	1.75 GPM Shower Head (For T-238X-6R(L))
S	OP-640056*	14" L Shower Arm (For T-2384-6RL, T-2385-6RL)
1	OP-440043	Allen Screw
2	OP-440010*	Face Plate Screws

	ITEM #	DESCRIPTION
A	OP-640001*	Shower Arm Flange
B	OP-640002*	Shower Arm
C	OP-640038*	1.75 GPM Shower Head (For T-23X0, T-23X2)
D	OP-640037*	1.75 GPM Rain Shower Head (For T-23X4, T-23X5)
E	OP-640041*	1.75 GPM Shower Head (For T-2386, T-2387)
F	OP-440051*	Face Plate
G	OP-140011*	Lever Handle (For T-237X)
H	OP-140018*	Lever Handle (For T-238X)
I	OP-490011	3/32" Allen Wrench
J	OP-640007*	Diverter Tub Spout (For T-23X0, T-2386)

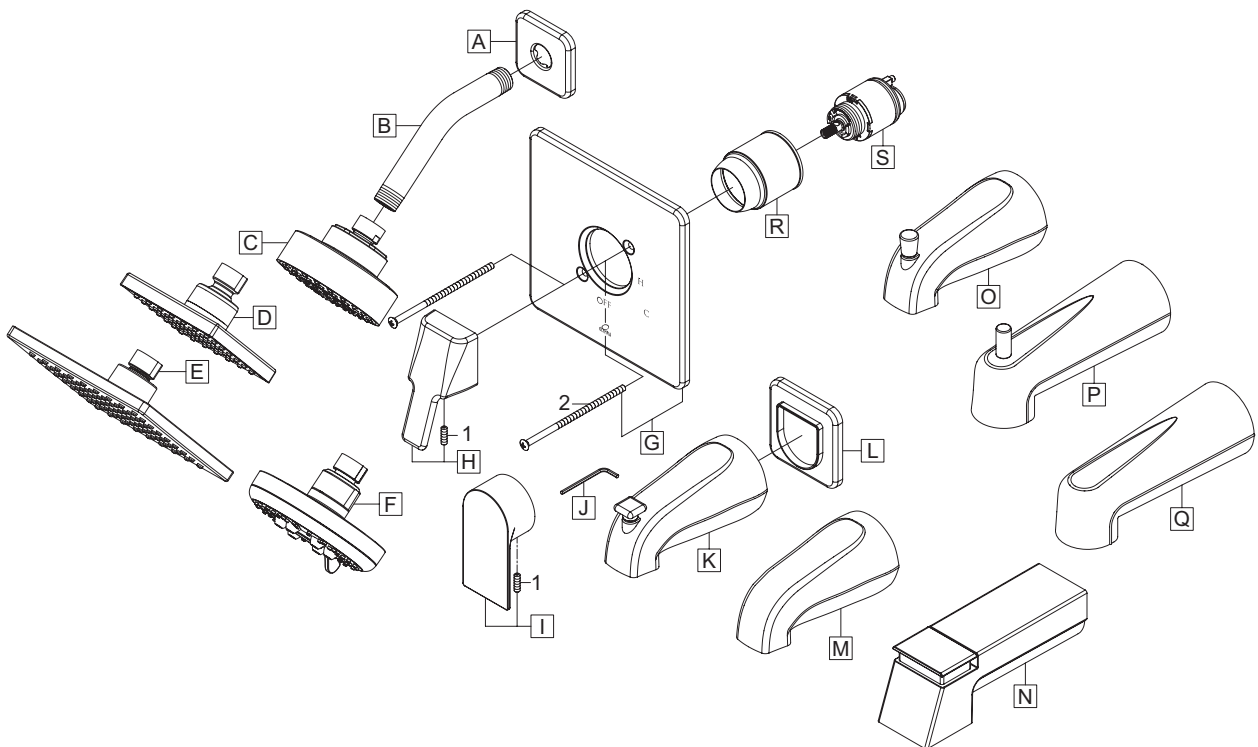


Exploded Drawing: (T-239X, T-2391X)

* Note: Please specify finish/color when ordering.

	ITEM #	DESCRIPTION
L	OP-440055*	Spout Escutcheon
M	OP-640019*	Tube Spout (For T-2391, T-23911)
N	OP-640043*	7" Extended Diverter Tub Spout (For T-2396, T-2398)
N	OP-640044*	7" Extended Tub Spout (For T-2397)
O	OP-640007*	Diverter Tub Spout (For T-23910)
P	OP-640040*	7" Extended Diverter Tub Spout (For T-23914)
Q	OP-640034*	7" Extended Tub Spout (For T-23917)
R	OP-440054*	Sleeve
S	OP-340009	Ceramic Cartridge & Spool
1	OP-440043	Allen Screw
2	OP-440010*	Face Plate Screws

	ITEM #	DESCRIPTION
A	OP-640045*	Shower Arm Flange
B	OP-640002*	Shower Arm
C	OP-640038*	1.75 GPM Shower Head (For T-2390, T-2392, T-23910, T-23912)
D	OP-640042*	1.75 GPM Shower Head (For T-2394, T-2395, T-2398)
E	X-6400088*	1.75 GPM Shower Head (For T-2394-6, T-2395-6, T-2398-6)
F	OP-640041*	1.75 GPM Shower Head (For T-23914, T-23915)
G	OP-440056*	Face Plate
H	OP-140019*	Lever Handle (For T-239X)
I	OP-140021*	Lever Handle (For T-2391X)
J	OP-490011	3/32" Allen Wrench
K	OP-640046*	Diverter Tub Spout (For T-2390, T-2394(-6))



OLYMPIA

For more care information or trouble shooting inquiries about your Olympia product, Please call:
OLYMPIA FAUCETS, INC. (888) 772-7701
 Monday-Friday 8 AM to 8 PM EST (5 AM to 5 PM PST)
www.olympiafaucets.com