



**OLYMPIA FAUCETS, INC.**  
 3325 S. Garfield Ave.  
 Commerce, CA 90040  
 (888) 772-7701  
 www.olympiafaucets.com

# INSTALLATION

**Tools:**



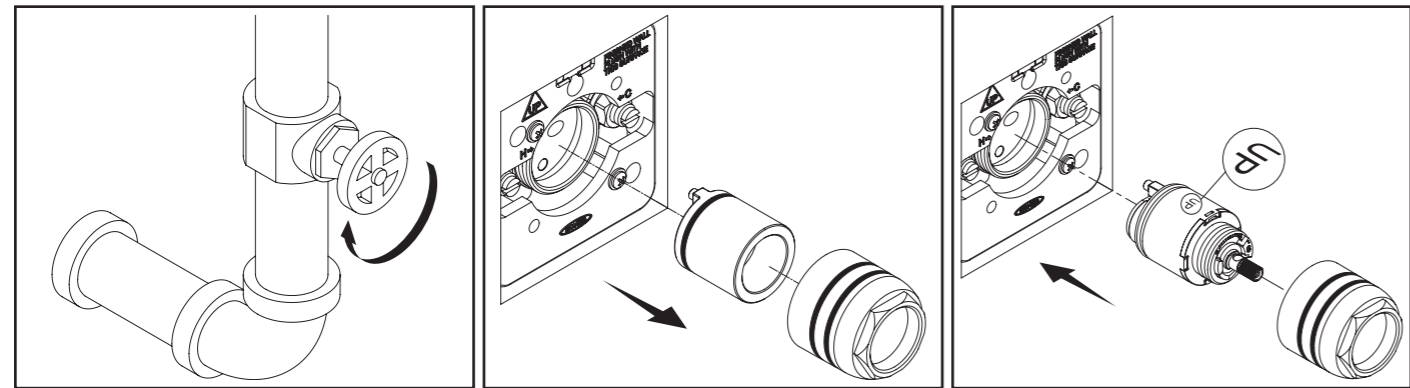
**Model Number:** T-230X, T-231X, T-233X, T-234X, T-235X T-236X, T-237X, T-238X, T-239X, T-2391X, T-233XRB, VT-230X-RP

**Warnings and Notes:**

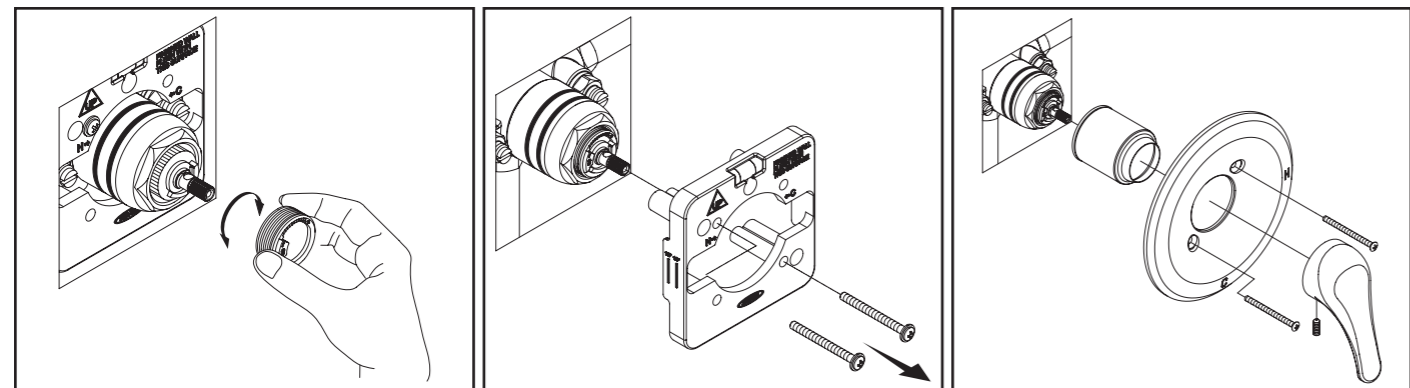
Check with local plumbing code requirements before installation. This product should be installed by a local listed plumber. **Do not use plumbers putty on threads.**

**Installation Steps:**

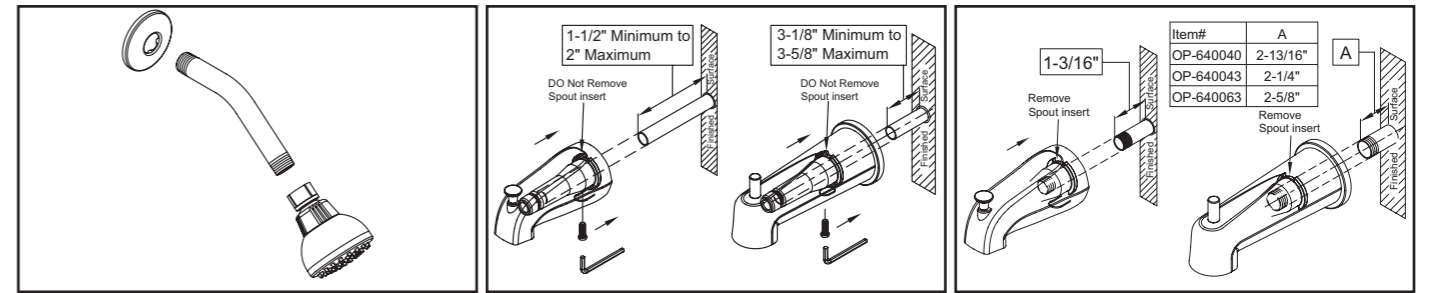
Single Handle Tub / Shower Trim Set



(1) Turn off water supply. (2) Remove sleeve nut and test cap. (3) Make sure "UP" marking is on top, install the cartridge and hand tighten the sleeve nut. Then tighten the sleeve nut a quarter turn more by using a wrench or a 1-7/16" socket to secure the cartridge.



(4) With cartridge in off position; lift and adjust temperature limit cap to desired temperature, turn clockwise to decrease the temperature setting and turn counter-clockwise to increase the temperature setting. (5) Remove mud guard. (6) Install sleeve, face plate and handle.

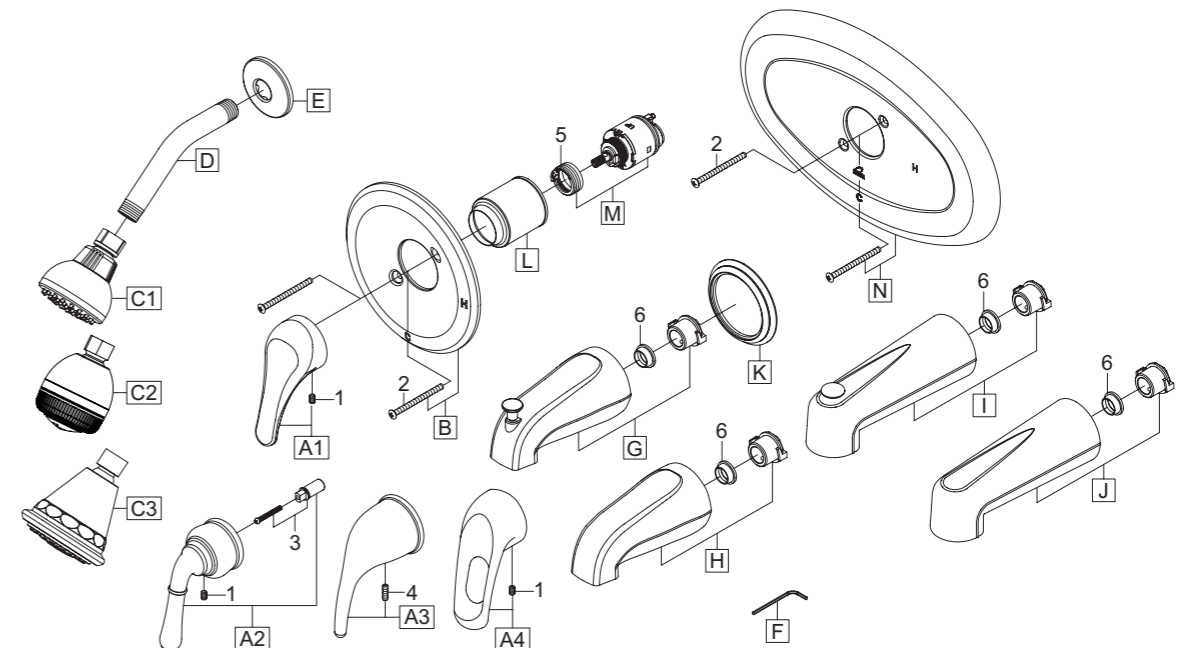


(7) Apply Teflon tape on both thread ends of the shower arm and install shower arm and shower head.  
 (8) For copper pipe, please refer to the distance charts on the above drawing to ensure correct installation of standard and extended spouts. The end of the copper pipe should be chamfered free of burrs to prevent cutting or nicking the O-ring and cone shape gasket inside the tub spout. Sand the outside surface of the copper pipe to remove nicks and scratches. If the series includes the spout escutcheon: Slide the spout escutcheon over the copper pipe, press and twist the tub spout until flush with the finished wall. Tighten the set screw to secure the tub spout.  
 (9) For pipe thread nipple, remove spout insert and apply Teflon tape on thread of nipple, please see the distance charts on the installation instruction pictures for correct installation for each series of tub spout.

**Exploded Drawing: (T-230X, T-231X, T-234X, T-235X, T-236X, VT-230X-RP)**

\* Note: Please specify finish/color when ordering.

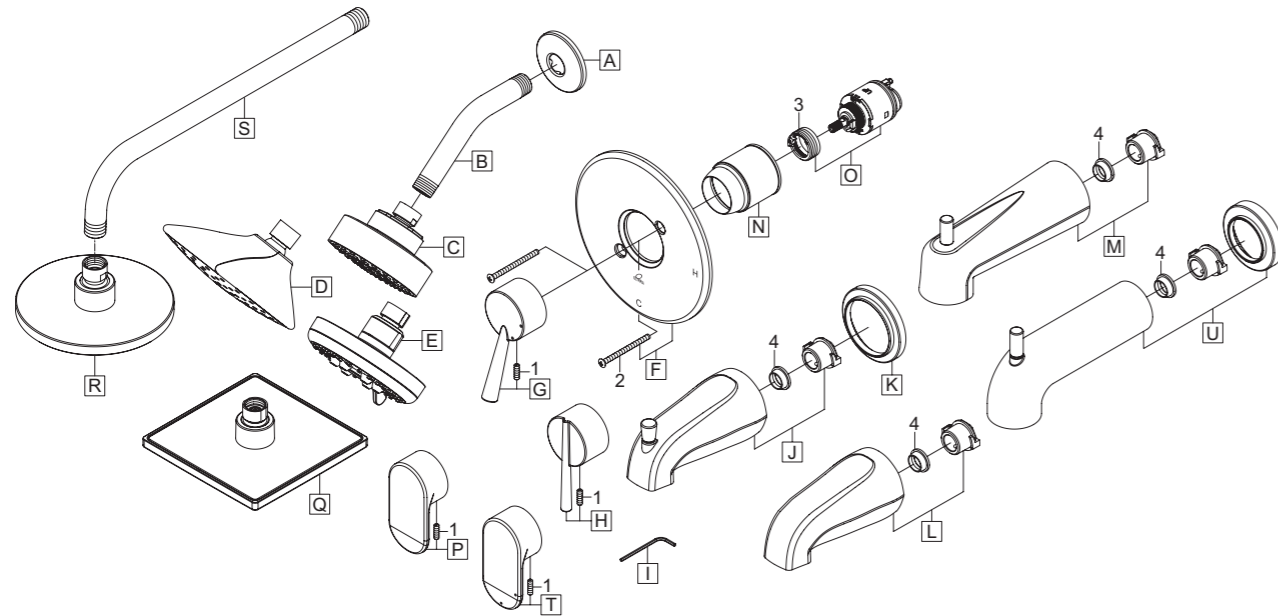
ITEM #	DESCRIPTION	ITEM #	DESCRIPTION
H OP-640019*	Tub Spout (For T-23X1)	A1 OP-140014*	Metal Lever Handle (For T-230X )
I OP-640033*	7" Extended Diverter Tub Spout (For T-2353)	A2 OP-140008*	Lever Handle (For T-234X, T-235X)
J OP-640034*	7" Extended Tub Spout (For T-2354)	A3 OP-140015*	Lever Handle (For T-236X)
K OP-440042*	Spout Escutcheon (For T-235X)	A4 OP-140010*	Loop Handle (For T-231X)
L OP-440054*	Sleeve	B OP-440009*	Face Plate
M OP-340009	Ceramic Cartridge & Spool	C1 OP-640053*	1.5 GPM Showerhead (For T-230X, T-231X)
N OP-640017*	Oval Face Plate (For VT-230X-RP)	C2 OP-640029*	1.75 GPM Showerhead (For T-234X, T-236X)
1 OP-490029	Allen Screw	C3 OP-640035*	1.75 GPM Showerhead (For T-235X)
2 OP-440019*	Face Plate Screws	D OP-640002*	Shower Arm
3 OP-440033	Handle Adapter	E OP-640001*	Shower Arm Flange
4 OP-440043	Allen Screw	F OP-490011	3/32" Allen Wrench
5 OP-340010	Red Color Temperature Adjusting Ring	G OP-640018*	Diverter Tub Spout (For T-23X0)
6 OP-640058	Gasket		



## Exploded Drawing: (T-233X, T-237X, T-238X)

\* Note: Please specify finish/color when ordering.

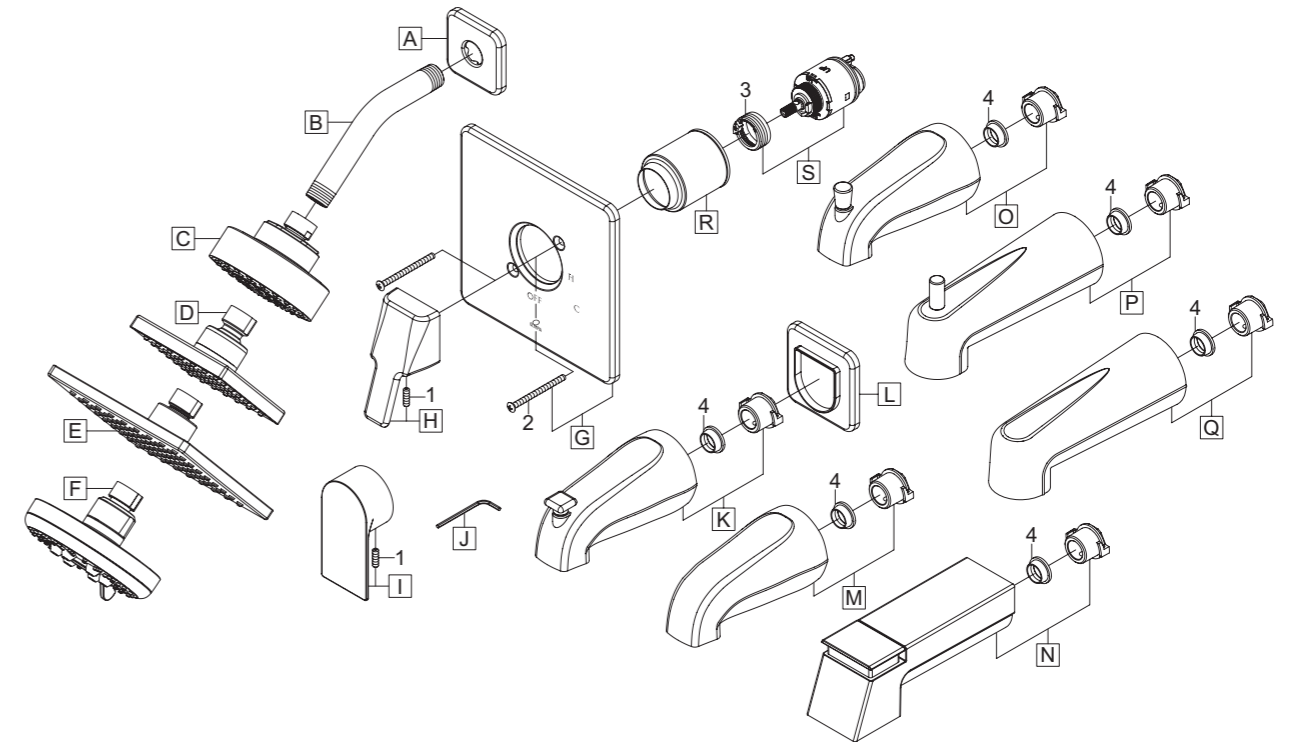
ITEM #	DESCRIPTION	ITEM #	DESCRIPTION
L OP-640019*	Tube Spout (For T-23X1)	A OP-640001*	Shower Arm Flange
M OP-640040*	7" Extended Diverter Tub Spout (For T-23X4)	B OP-640002*	Shower Arm
N OP-440054*	Sleeve	C OP-640038*	1.75 GPM Shower Head (For T-23X0, T-23X2)
O OP-340009	Ceramic Cartridge & Spool	D OP-640037*	1.75 GPM Rain Shower Head (For T-23X4, T-23X5)
P OP-140020*	Lever Handle (For T-233X)	E OP-640041*	1.75 GPM Shower Head (For T-2386, T-2387)
Q X-6400088*	1.75 GPM Shower Head (For "-6" Suffix)	F OP-440051*	Face Plate
R OP-640047*	1.75 GPM Shower Head (For "-6R(L)" Suffix)	G OP-140011*	Lever Handle (For T-237X)
S OP-640056*	14" L Shower Arm (For "-6RL" Suffix)	H OP-140018*	Lever Handle (For T-238X)
T OP-140025*	Lever Handle (For T-233XRB)	I OP-490011	3/32" Allen Wrench
U OP-640063*	7" Extended Diverter Tub Spout And Escutcheon (For "-7S" Suffix)	J OP-640007*	Diverter Tub Spout (For T-23X0, T-2386)
1 OP-440043	Allen Screw	K OP-640008*	Spout Escutcheon (For T-23X0, T-23X1, T-23X4, T-23X6)
2 OP-440019*	Face Plate Screws		
3 OP-340010	Red Color Temperature Adjusting Ring		
4 OP-640058	Gasket		



## Exploded Drawing: (T-239X, T-2391X)

\* Note: Please specify finish/color when ordering.

ITEM #	DESCRIPTION	ITEM #	DESCRIPTION
L OP-440055*	Spout Escutcheon	A OP-640045*	Shower Arm Flange
M OP-640019*	Tube Spout (For T-2391, T-23911)	B OP-640002*	Shower Arm
N OP-640043*	7" Extended Diverter Tub Spout (For T-2396, T-2398)	C OP-640038*	1.75 GPM Shower Head (For T-2390, T-2392, T-23910, T-23912)
N OP-640044*	7" Extended Tub Spout (For T-2397)	D OP-640042*	1.75 GPM Shower Head (For T-2394, T-2395, T-2398)
O OP-640007*	Diverter Tub Spout (For T-23910)	E X-6400088*	1.75 GPM Shower Head (For "-6" Suffix)
P OP-640040*	7" Extended Diverter Tub Spout (For T-23914)	F OP-640041*	1.75 GPM Shower Head (For T-23914, T-23915)
Q OP-640034*	7" Extended Tub Spout (For T-23917)	G OP-440056*	Face Plate
R OP-440054*	Sleeve	H OP-140019*	Lever Handle (For T-239X)
S OP-340009	Ceramic Cartridge & Spool	I OP-140021*	Lever Handle (For T-2391X)
1 OP-440043	Allen Screw	J OP-490011	3/32" Allen Wrench
2 OP-440019*	Face Plate Screws	K OP-640046*	Diverter Tub Spout (For T-2390, T-2394(-6))
3 OP-340010	Red Color Temperature Adjusting Ring		
4 OP-640058	Gasket		



For more care information or trouble shooting inquiries about your Olympia product, Please call:  
**OLYMPIA FAUCETS, INC.** (888) 772-7701  
 Monday-Friday 8 AM to 8 PM EST (5 AM to 5 PM PST)  
[www.olympiafaucets.com](http://www.olympiafaucets.com)