



INSTALLATION

PIONEER INDUSTRIES, INC.
 3325 S. Garfield Ave.
 Commerce, CA 90040
 (800) 338-9468
 www.pioneerind.com

Tools:



Adjustable Wrench



Plumbers Putty



Teflon Tape



Rags

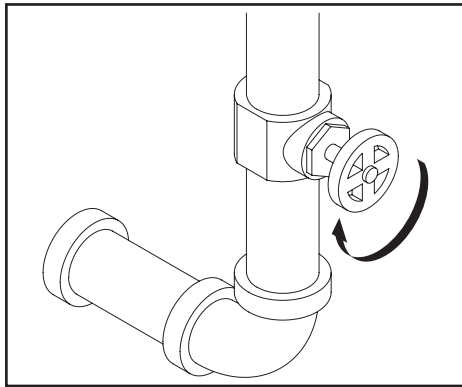
Model Number: T-4MTXXX, T-4MOXXX

Warnings and Notes:

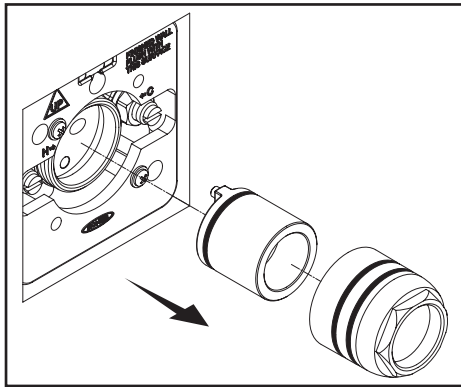
Check with local plumbing code requirements before installation.
 This product should be installed by a local listed plumber.
Do not use plumbers putty on threads.

Installation Steps:

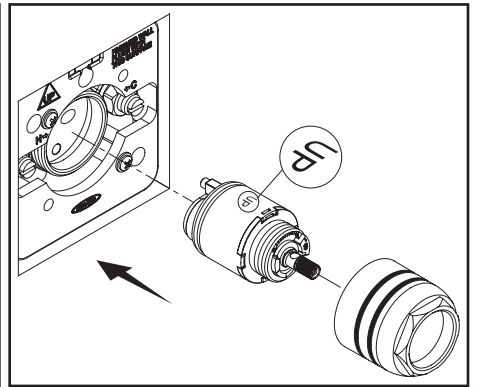
Single Handle Tub / Shower Trim Set



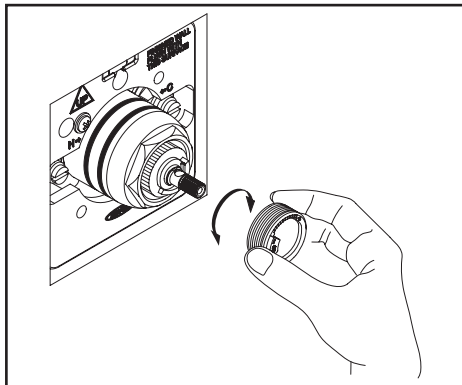
(1) Turn off water supply.



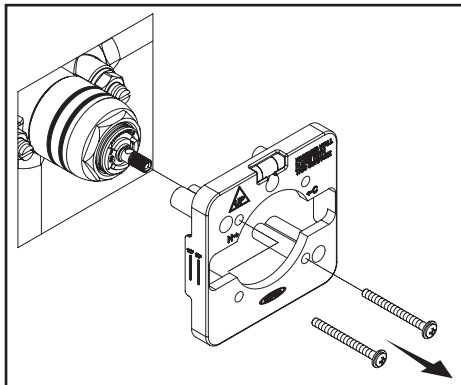
(2) Remove sleeve nut and test cap.



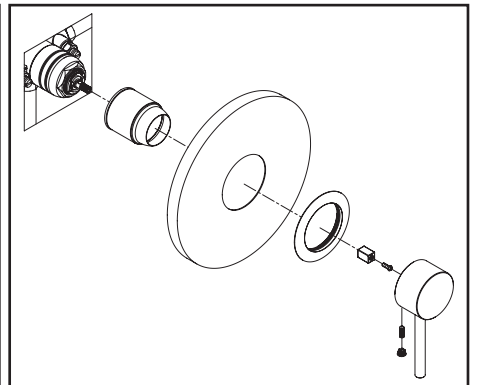
(3) Make sure "UP" marking is on top, install the cartridge and hand tighten the sleeve nut. Then tighten the sleeve nut a quarter turn more by using a wrench or a 1-7/16" socket to secure the cartridge.



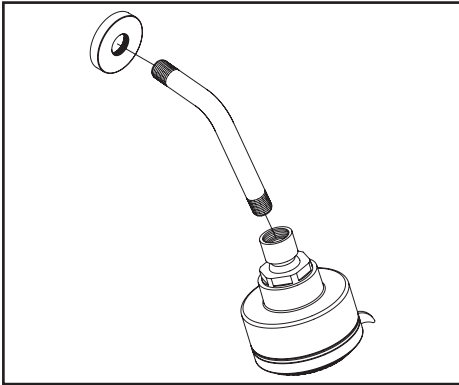
(4) With cartridge in off position; lift and adjust temperature limit cap to desired temperature, turn clockwise to decrease the temperature setting and turn counter-clockwise to increase the temperature setting.



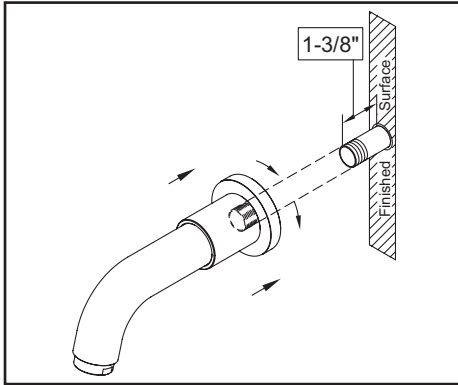
(5) Remove mud guard.



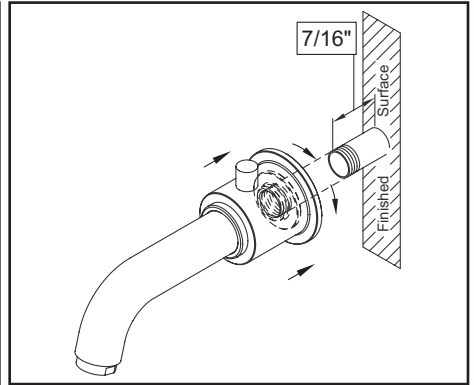
(6) Install sleeve, face plate and handle.



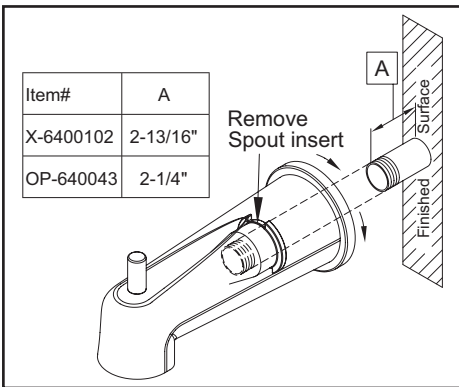
(7) Apply Teflon tape on both thread ends of the shower arm and install shower arm and shower head.



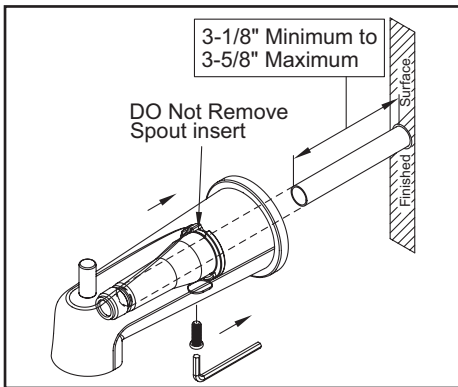
(8) The pipe thread nipple must be kept with a length of 1-3/8" from finished wall, apply Teflon tape on the thread end of nipple and install tub spout.



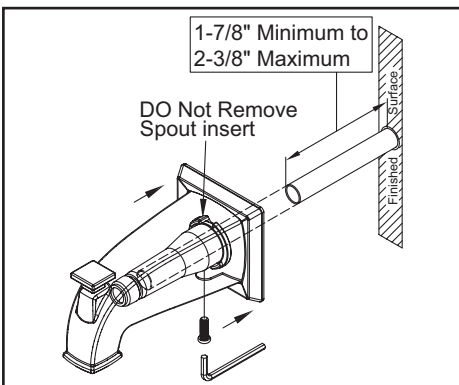
(9) The pipe thread nipple must be kept with a length of 7/16" from finished wall, apply Teflon tape on the thread end of nipple and install diverter tub spout.



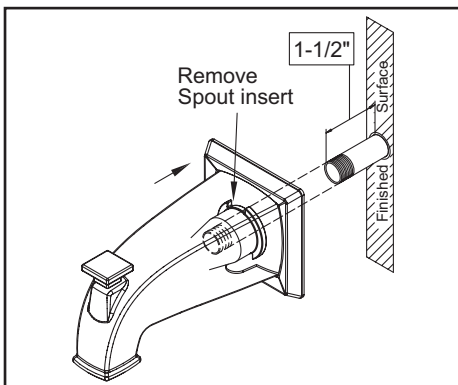
(10) For pipe thread nipple, remove spout insert and apply Teflon tape on the thread end of nipple, please see the distance charts on the installation instruction pictures for correct installation for each series of tub spout.



(11) For copper pipe, refer the Min. and Max. of installation distance to install tub spout.



(12) For copper pipe, refer the Min. and Max. of installation distance to install diverter tub spout.

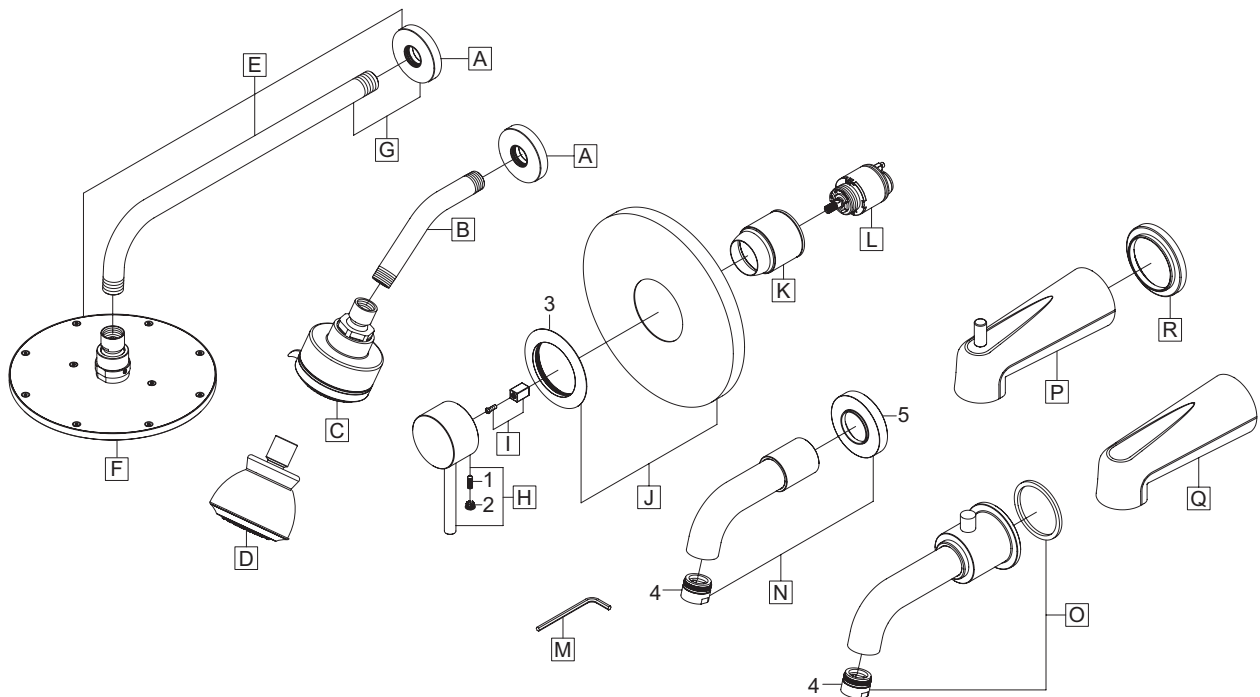


(13) The pipe thread nipple must be kept with a length of 1-1/2" from finished wall, apply Teflon tape on the thread end of nipple and install diverter tub spout.

Exploded Drawing : (For T-4MTXXX)

* Note: Please specify finish/color when ordering.

ITEM #	DESCRIPTION	ITEM #	DESCRIPTION
L OP-340009	Ceramic Cartridge & Spool	A X-6400011*	Shower Arm Flange
M X-4900024	3/32" Allen Wrench	B X-6400002*	Shower Arm
N X-6400024*	Tub Spout (For T-4MT200)	C X-6400095*	1.75 GPM Shower Head (For T-4MT110, T-4MT111, T-4MT300)
O X-6400051*	Diverter Tub Spout (For T-4MT110, T-4MT115, T-4MT120)	D X-6400081*	1.75 GPM Shower Head (For T-4MT120, T-4MT320)
P X-6400102*	7" Extended Diverter Tub Spout (For T-4MT111)	E X-6400038*	Single Function Rain Showerhead W/Shower Arm and Flange (For T-4MT115)
Q X-6400028*	7" Extended Tub Spout (For T-4MT201)	F X-6400012*	2.5 GPM Shower Head (For T-4MT115)
R X-4400105*	Escutcheon (For T-4MT111)	G X-6400013	14" L Shower Arm and Shower Arm Flange (For T-4MT115)
1 X-4900080	3/32" Allen Screw	H X-1400028*	Motegi Handle
2 X-4900044*	Hole Cover	I X-4400116	Handle Adapter
3 X-4400045*	Face Plate Flange	J X-4400043*	Face Plate
4 X-4400042*	Flow Streamer (For "N" and "O")	K OP-440054*	Sleeve
5 X-4200071*	Escutcheon (For T-4MT200)		

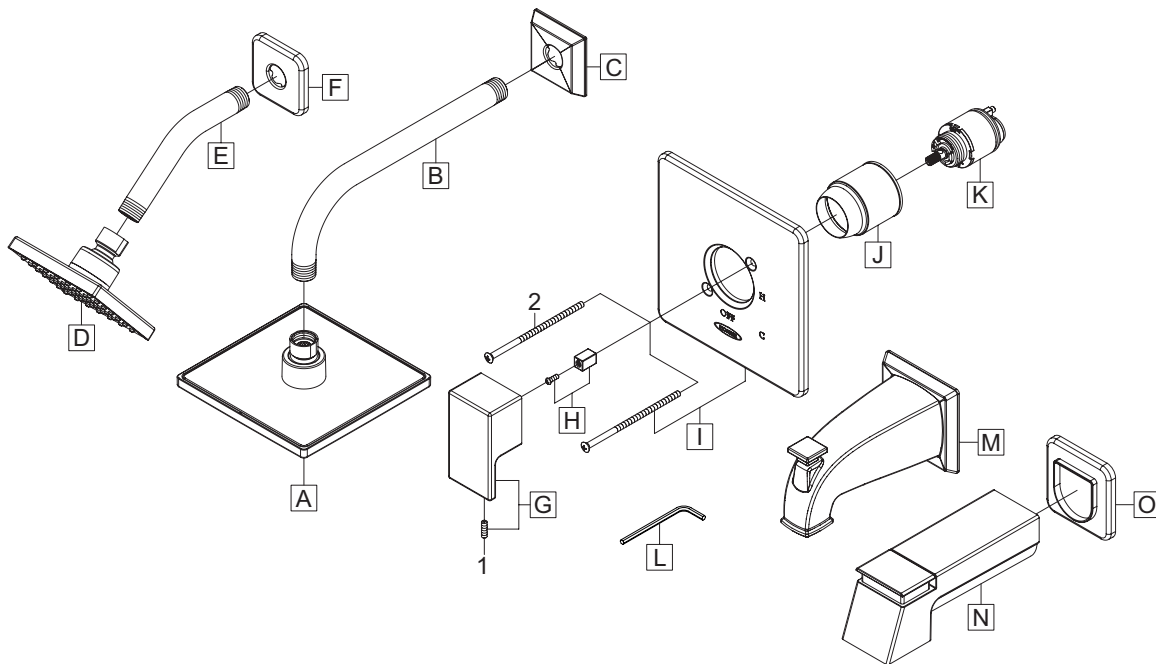


Exploded Drawing : (For T-4MOXXX)

* Note: Please specify finish/color when ordering.

	ITEM #	DESCRIPTION
J	OP-440054*	Sleeve
K	OP-340009	Ceramic Cartridge & Spool
L	X-4900024	Allen Wrench
M	X-6400086*	1/2" Combo Diverter Tub Spout (For T-4MO100)
N	OP-640043	7" Extended Diverter Tub Spout (For T-4MO110)
N	OP-640044	7" Extended Tub Spout (For T-4MO200)
O	OP-440055	Spout Escutcheon (For T-4MO110, T-4MO200)
1	X-4900080	Allen Screw
2	X-4400062*	Face Plate Screws

	ITEM #	DESCRIPTION
A	X-6400088*	1.75 GPM Shower Head (For T-4MO100, T-4MO30X)
B	X-6400104*	Shower Arm (For T-4MO100, T-4MO300)
C	X-6400103*	Shower Arm Flange (For T-4MO100, T-4MO30X)
D	OP-640042*	1.75 GPM Shower Head (For T-4MO110, T-4MO310)
E	X-6400002*	Shower Arm (For T-4MO110, T-4MO310)
F	OP-640045*	Shower Arm Flange (For T-4MO110, T-4MO310)
G	X-1400043*	Metal Lever Handle
H	X-4400116	Handle Adapter
I	X-4400115*	Face Plate



For more care information or trouble shooting inquiries
about your Pioneer product, please call:
Pioneer Industries, Inc. (800) 338-9468
Monday-Friday 8AM to 8PM EST (5AM to 5PM PST)
www.pioneerind.com