



# PARTS BREAKDOWN SHEET



# TWO HANDLE LAVATORY WIDESPREAD FAUCET



**Model #:** \_\_\_\_\_

**Specific Features:** \_\_\_\_\_

**Project Name:** \_\_\_\_\_

**Submitted For:** \_\_\_\_\_

**Date:** \_\_\_\_\_

- Lever Handles
- Rigid Gooseneck Spout
- 4" Reach, 5" From Deck to Aerator
- Ceramic Disc Cartridges
- 3-Hole 4" to 16" Installation
- 50/50 or Brass Pop-Up Drain Assembly
- With 1.2 GPM Flow Rate

# L-7420 SHOWN **ADA**

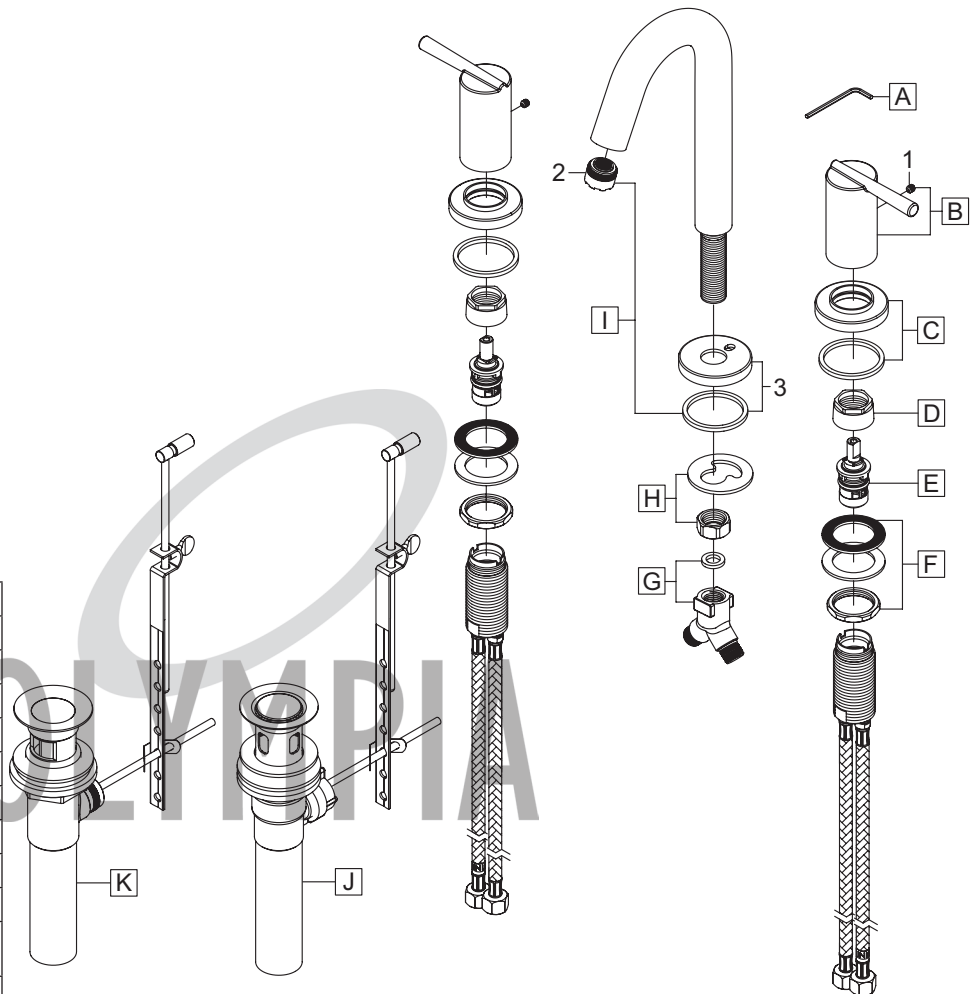
Model #	Features	Finish	
L-7420*		CP	
L-7420-BN*		PVD BN	
L-7422*		CP	
L-7422-BN*		PVD BN	

\* Aerator limited to 1.2 GPM Flow Rate

**Olympia products are engineered and manufactured to meet the following standards and codes:**

- ASME A112.18.1
- ANSI A117.1
- ANSI / NSF 61, SECTION 9
- CONTAINS NO MORE THAN 0.25% WEIGHTED AVERAGE LEAD CONTENT

ITEM #	DESCRIPTION
A	OP-490011 3/32" Allen Wrench
B	OP-190016C, H Lever Handle-Cold, Hot
C	OP-430036* Escutcheon & Gasket
D	OP-490006 Bonnet Nut
E	OP-330002C,H Ceramic Disc Cartridge-Cold,Hot
F	OP-590002 Valve Mounting Kit
G	OP-490009 "Y" Connector & Washer
H	OP-430001 Spout Mounting Kit
I	OP-230006* Gooseneck Style Spout
J	OP-630008* 50/50 Drain Assembly (For L-7420)
K	OP-630009* Brass Pop-Up Drain Assembly (For L-7422)
1	OP-420047 3/32" Allen Screw
2	OP-490062* 1.2 GPM Aerator
3	OP-430037* Spout Escutcheon and Gasket



\* Note- Please Specify finish\color code while ordering.