

Model# 0094-ELS17

Two Handle Shell Type Bar/Laundry Faucet

FEATURES & SPECIFICATIONS

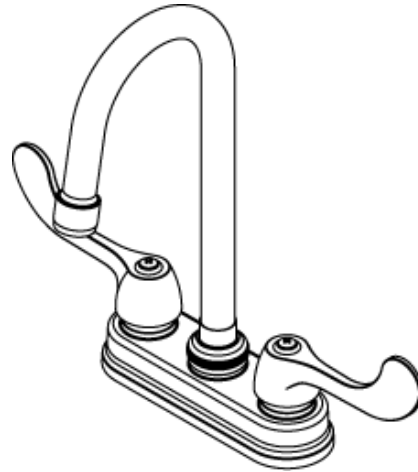
- 4" Wrist Blade Handles With Color-Coded Indexes
- 4-3/32" Reach Gooseneck Rigid/Swivel Spout
- Quick-Pression Quarter-Turn Stems, Replaceable Seats
- 2 or 3-Hole 4" Installation
- 1.5 GPM Flow Rate

FINISHES

- PC Polished Chrome

STANDARDS

- ASME A112.18.1
- ANSI / NSF 61, SECTION 9
- ANSI A117.1 / ADA COMPLIANT
- CONTAINS NO MORE THAN 0.25% WEIGHTED AVERAGE LEAD CONTENT



FLOW

- 1.5 GPM Flow Rate

WARRANTY

- Lifetime Limited Warranty
- Lifetime Residential Warranty
- 5 Year Commercial Warranty

Job Name _____ Date _____

Model Specified _____ QTY _____

Customer/Wholesaler _____

Contractor _____

Architect/Engineer _____

Submitted as Shown _____

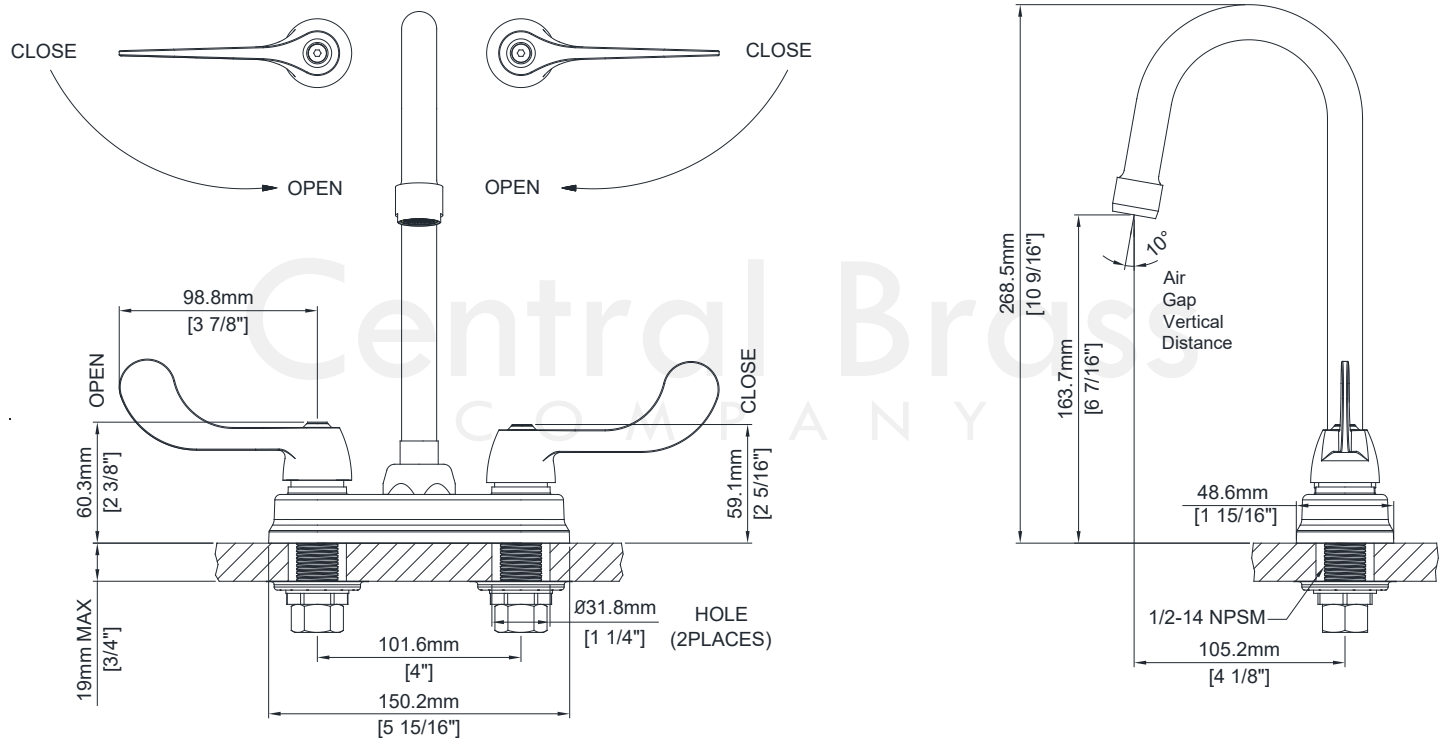
Submitted w/ Variations _____

0094-ELS17/REV. 10 2018

Product Specifications subject to change without notice

Model# 0094-ELS17

Two Handle Shell Type Bar/Laundry Faucet



0094-ELS17/REV. 10 2018

Product Specifications subject to change without notice