



**OLYMPIA FAUCETS, INC.**  
3325 S. Garfield Ave.  
Commerce, CA 90040  
(888) 772-7701  
www.olympiafaucets.com

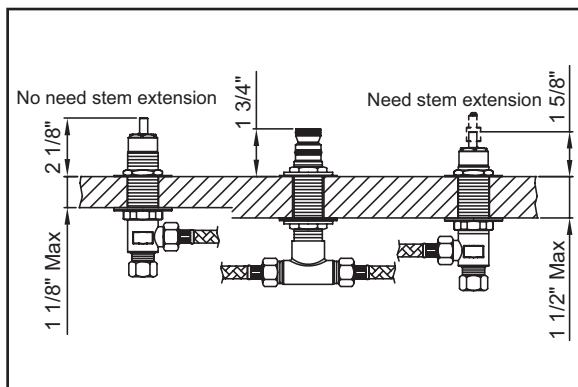
**Model Number: P-1131T, P-1171T**

### Warnings and Notes:

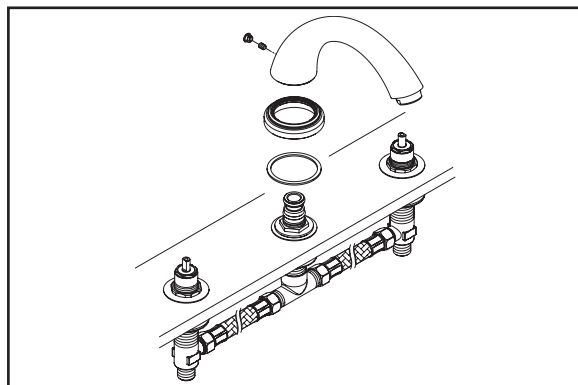
Check with local plumbing code requirements before installation.  
This product should be installed by a local listed plumber.  
**Do not use plumbers putty on threads.**

### Installation Steps:

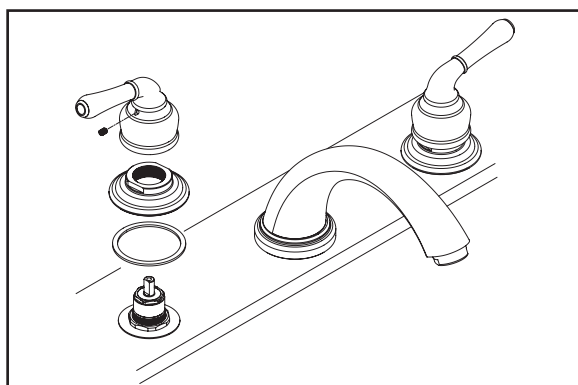
Two Handle Roman Tub Trim Set



(1) Remove the guards, make necessary adjustment if the top of the shank and the tip of stem above finished surface do not follow the required heights. For deck thickness is equal to or less than 1-1/8", you don't need to use stem extension. For deck thickness is more than 1-1/8" and up to 1-1/2", you need to use stem extension.



(2) Remove shank's test plug. Place spout escutcheon with gasket over top of shank. Carefully insert spout onto shank to avoid damaging O-rings on the shank. Make sure spout and spout escutcheon rest properly on finished surface. Secure spout by tightening Allen screw using supplied Allen wrench. Place button over Allen screw hole.



(3) Thread valve escutcheon with gasket onto valve, install lever handle on valve and tighten Allen screw with help of supplied Allen wrench. Install the other side of valve escutcheon and lever handle in the same way. Remove streamer, turn on handles to run water for one minute, check any leaks, replace streamer.

## INSTALLATION

### Tools:



Adjustable Wrench



Plumbers Putty



Teflon Tape

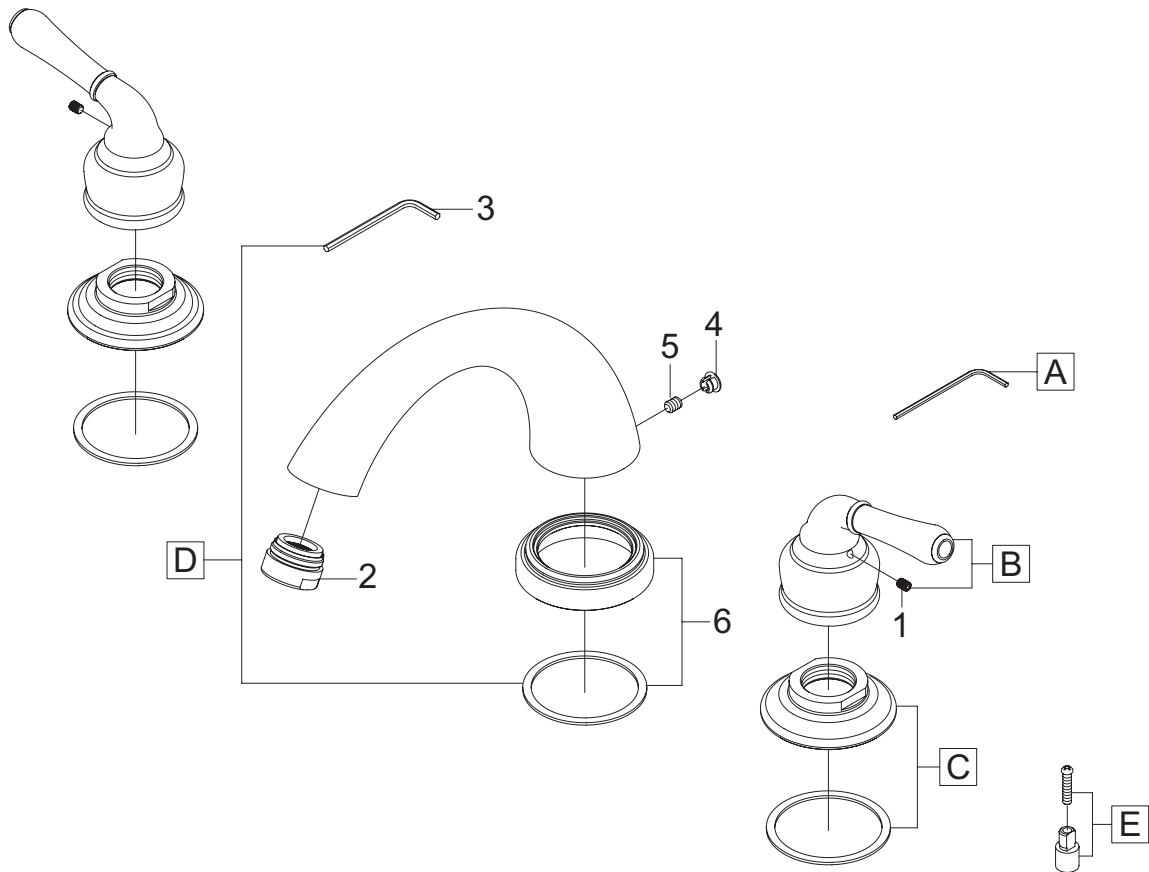


Rags



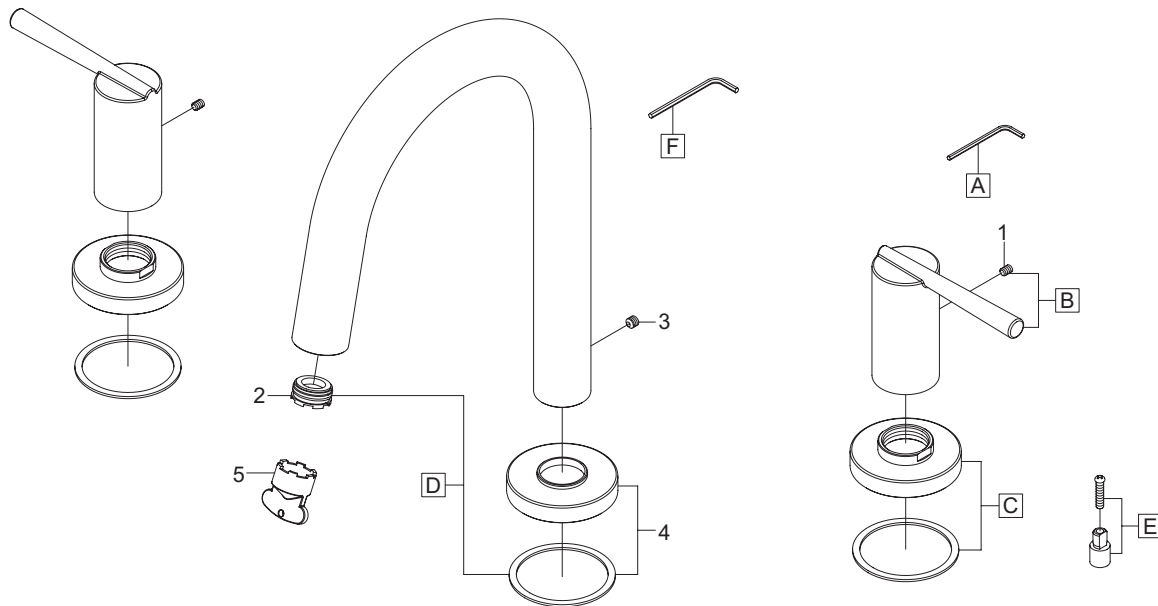
# Exploded Drawing (P-1131T):

|   | ITEM #    | DESCRIPTION          |
|---|-----------|----------------------|
| A | OP-490011 | 3/32" Allen Wrench   |
| B | OP-140007 | Lever Handle         |
| C | OP-440031 | Valve Escutcheon     |
| D | OP-240007 | Spout                |
| E | OP-490044 | Handle Adapter       |
| 1 | OP-490029 | Allen Screw          |
| 2 | OP-440027 | Male Thread Streamer |
| 3 | OP-490036 | 1/8" Allen Wrench    |
| 4 | OP-440028 | Button               |
| 5 | OP-440029 | Allen Screw          |
| 6 | OP-440030 | Spout Escutcheon     |



## Exploded Drawing (P-1171T):

|   | ITEM #        | DESCRIPTION                |
|---|---------------|----------------------------|
| A | OP-490011     | 3/32" Allen Wrench         |
| B | OP-140022C,H* | Lever Handle               |
| C | OP-440067*    | Valve Escutcheon           |
| D | OP-240008*    | Spout                      |
| E | OP-490044     | Handle Adapter             |
| F | OP-490036     | 1/8" Allen Wrench          |
| 1 | OP-490029     | Allen Screw                |
| 2 | X-4400102     | Flow Streamer              |
| 3 | OP-440029     | Allen Screw                |
| 4 | OP-440068*    | Spout Escutcheon           |
| 5 | X-4400071     | Flow Streamer Removal Tool |



For more care information or trouble shooting inquiries  
 about your Olympia product, Please call:  
**OLYMPIA FAUCETS, INC.** (888) 772-7701  
 Monday-Friday 8 AM to 8 PM EST (5 AM to 5 PM PST)  
[www.olympiafaucets.com](http://www.olympiafaucets.com)