



**OLYMPIA FAUCETS, INC.**  
3325 S. Garfield Ave.  
Commerce, CA 90040  
(888) 772-7701  
www.olympiafaucets.com

# INSTALLATION

**Tools:**



Power Drill



Silicone Sealant



Teflon Tape



Rags

## Model Number: P-4440

### Warnings and Notes:

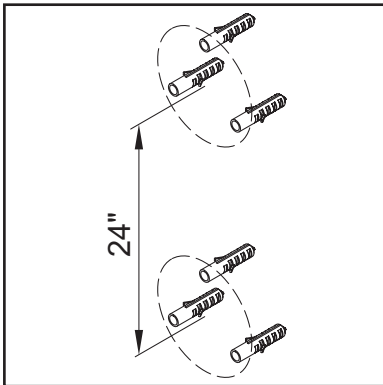
Check with local plumbing code requirements before installation.

This product should be installed by a local listed plumber.

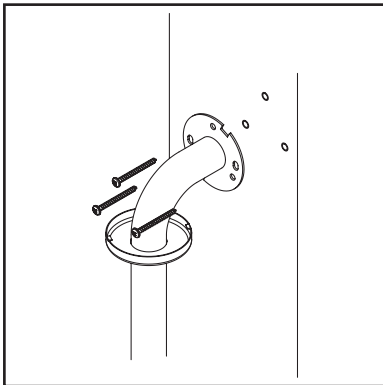
**Do not use plumbers putty on threads.**

### Installation Steps:

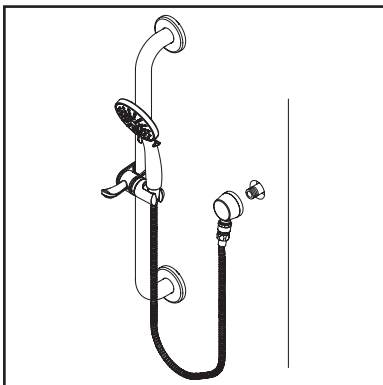
Handheld Shower Set



(1) Locate where to install the slide/grab bar and use a pen to mark the location of all six mounting screws. Use a power drill to drill 5/16" screw holes. Insert the screw anchors into the holes and hammer them flush to the wall as shown in the drawing.



(2) Secure the slide/grab bar on the wall by tightening the mounting screws into the screw anchors. Place both flanges to cover the mounting screws as shown in the drawing.

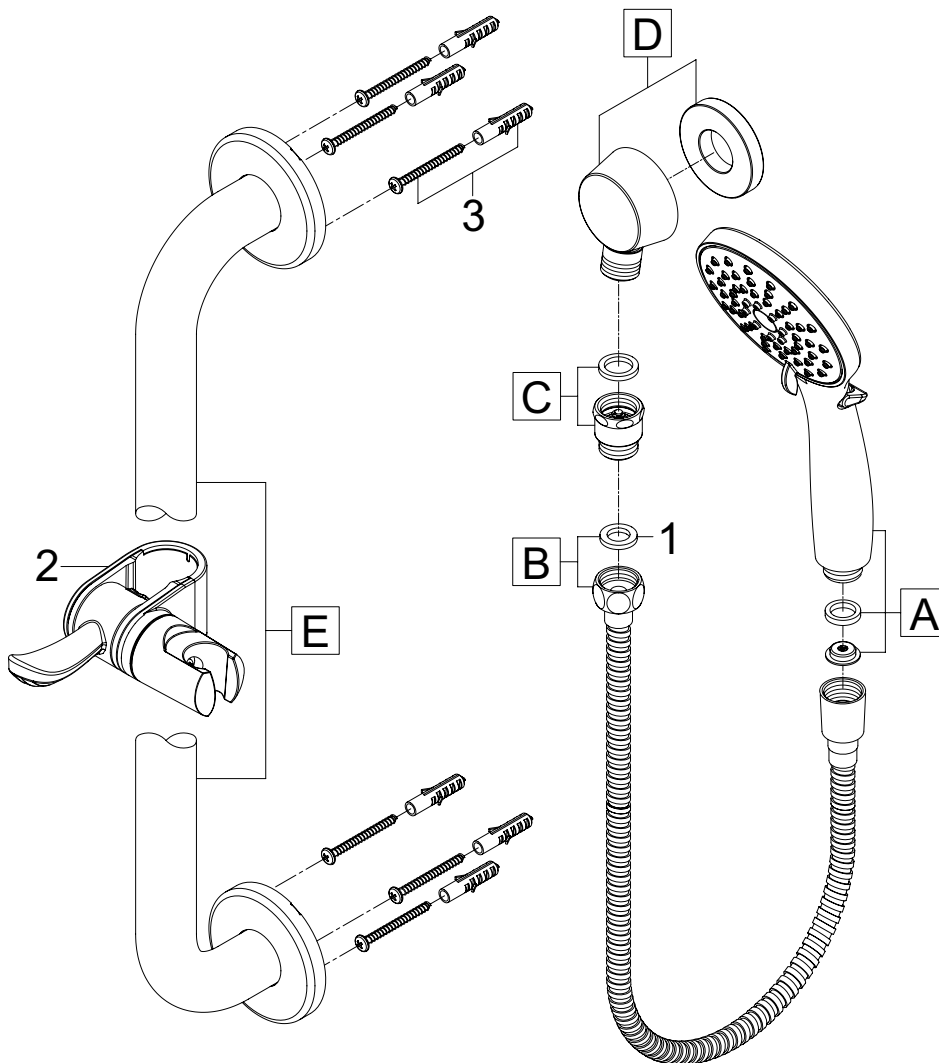


(3) Apply Teflon tape on the thread end of the pipe nipple and attach the drop ell to the pipe nipple. Connect the handheld shower and vacuum breaker to the hose and attach the hose to the drop ell. Turn on the water to check for any leaks.

## Exploded Drawing:

\* Note: Please specify finish/color when ordering.

	ITEM #	DESCRIPTION
A	OP-660008*	1.75 GPM Handheld Showerhead
B	OP-460027*	60" SST Hose
C	OP-460020*	Vacuum Breaker
D	OP-460006*	Drop Ell
E	OP-460028*	Slide/Grab Bar With Handheld Shower Holder
1	OP-460025	Washer
2	OP-460029	Handheld Shower Holder
3	OP-460030	Mounting Kit



**OLYMPIA**

For more care information or trouble shooting inquiries  
about your Olympia product, Please call:  
**OLYMPIA FAUCETS, INC.** (888) 772-7701  
Monday-Friday 8 AM to 8 PM EST (5 AM to 5 PM PST)  
[www.olympiafaucets.com](http://www.olympiafaucets.com)