

Central Brass Company, Inc.
3325 S. Garfield Ave.
Commerce, CA 90040
(800) 321-8630
www.centralbrass.com

Tools:



Socket



Plumbers Putty



Teflon Tape



Rags

Model Number: 0364-N2

Warnings and Notes:

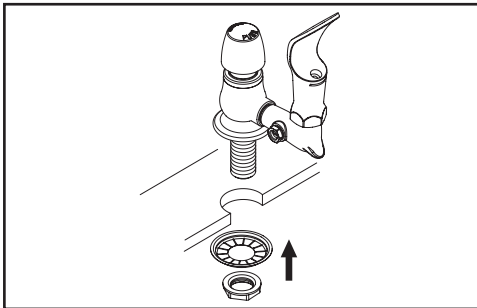
Check with local plumbing code requirements before installation.
This product should be installed by a local listed plumber.

Do not use plumbers putty on threads.

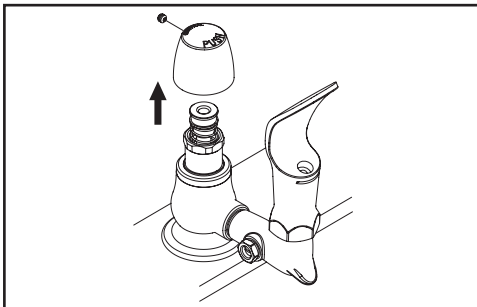


Installation Steps:

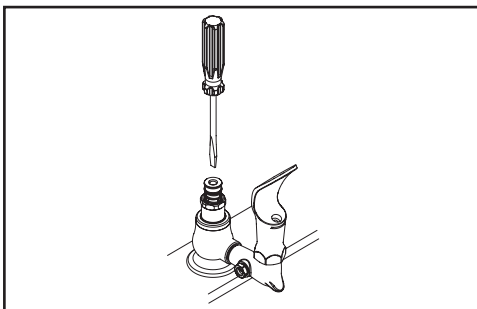
Drinking Faucet



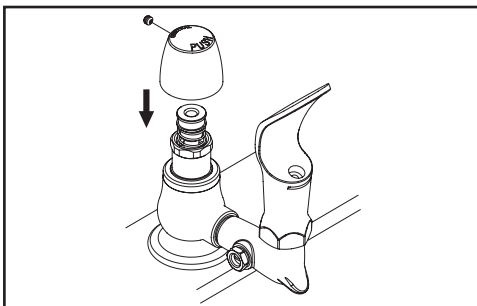
(1) Apply a layer of plumbers putty to underside of the faucet, place faucet shank through the mounting hole. Slide the crowfoot washer through the shank from underneath the sink. Tighten the locknut to secure the faucet with the help of a 1-3/32" socket. Connect water supply line to the faucet shank.



(2) The slow close cartridge is factory preset timing to 10 seconds@60 PSI. Depending on the inlet water pressure and water temperature this timing can vary. If timing needs to be changed, remove the handle by loosening with Allen screw.



(3) With the help of flat head screwdriver, loosen the screw to decrease the timing and tighten the screw to increase the timing. The timing can be adjusted from 0 to 60 seconds depending on the inlet pressure and water temperature.



(4) Once the satisfactory timing has been adjusted, install the handle by tightening Allen screw.

Central Brass

COMPANY, Inc.

For more care information or trouble shooting inquiries about your Central Brass product, please call:
Central Brass Company, Inc. (800) 321-8630
Monday-Friday 8 AM to 8 PM EST (5 AM to 5 PM PST)
www.centralbrass.com