

Model# 0366-N2

Drinking Faucet-Wallmount

FEATURES & SPECIFICATIONS

- Slow-Close Push Handle
- 3/8-18 NPT Female Thread

FINISHES

- PC Polished Chrome

STANDARDS

- ASME A112.18.1
- ANSI / NSF 61, SECTION 9



WARRANTY

- Lifetime Limited Warranty
- Lifetime Residential Warranty
- 5 Year Commercial Warranty

0366-N2/REV. 07 2018

Product Specifications subject to change without notice

Job Name _____ Date _____

Model Specified _____ QTY _____

Customer/Wholesaler _____

Contractor _____

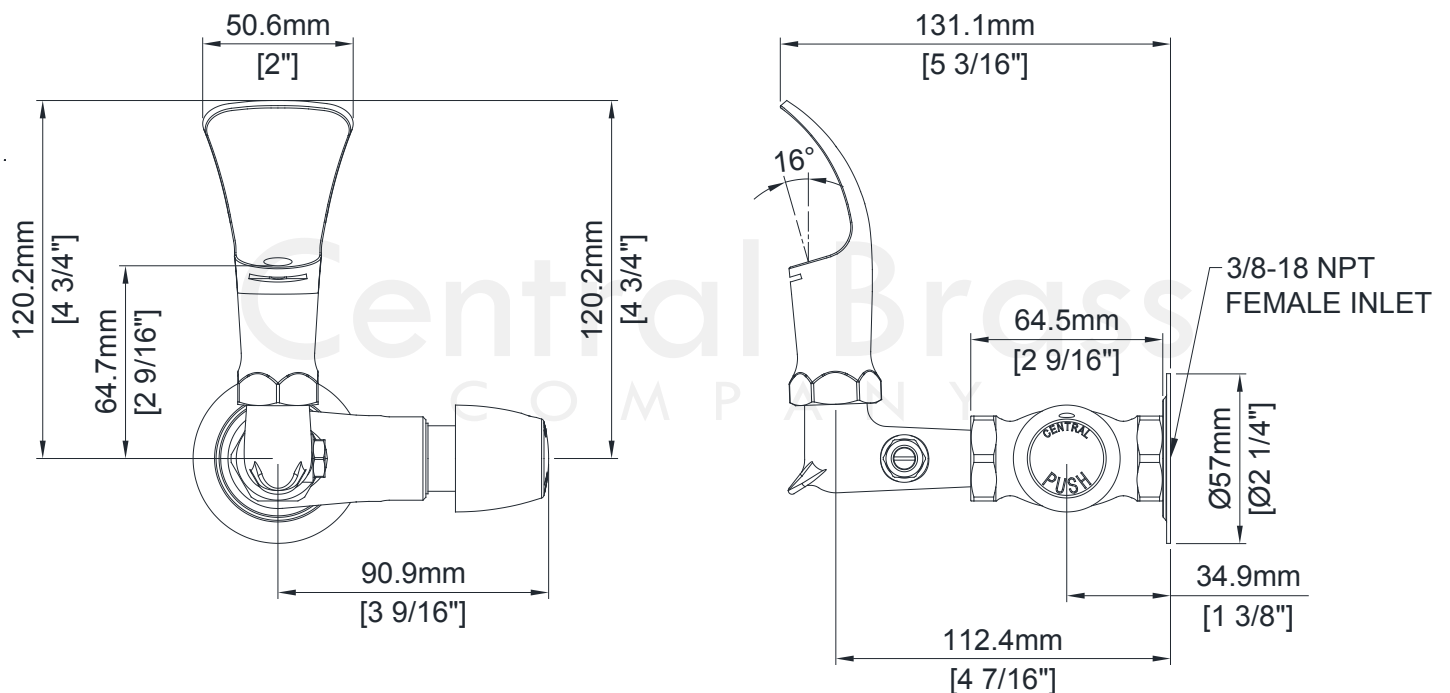
Architect/Engineer _____

Submitted as Shown _____

Submitted w/ Variations _____

Model# 0366-N2

Drinking Faucet-Wallmount



0366-N2/REV. 07 2018

Product Specifications subject to change without notice