



ENGINEERING EXCELLENCE

Motegi Series #6MT400 PARTS BREAKDOWN SHEET

DESCRIPTION

- Handheld Shower Set
- Single Function Handheld Showerhead
- 25" Slide Bar with Brass Mounts
- 60" Stainless Steel Flex Hose
- Brass Drop Ell with Vacuum Breaker

FINISHES

- PC PVD Polished Chrome
- BN PVD Brushed Nickel
- PB PVD Polished Brass
- PN PVD Polished Nickel
- SS PVD Stainless Steel
- ORB Oil Rubbed Bronze



#6MT400 SHOWN * ADA 

STANDARDS APPLICABLE

- ASME A112.18.1
- ANSI A117.1
- ADA COMPLIANT
- **Note:-** This product complies with ADA requirement for lever handle. Slide bar is not designed to be used as grab bar.

FLOW

- Showerhead Limited to 1.75 GPM

Model #: _____

Specific Features: _____

Project Name: _____

Submitted For: _____

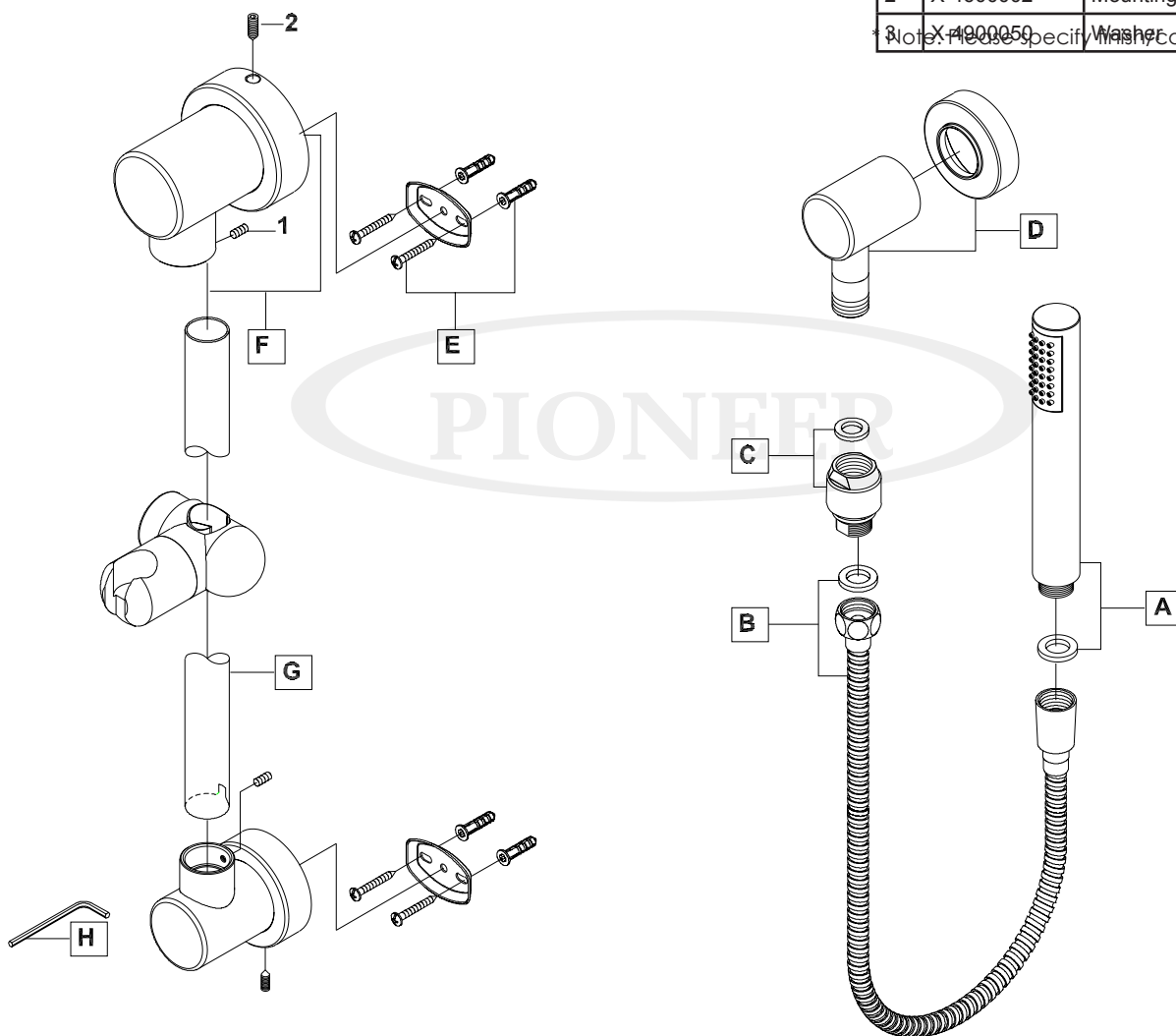
Model	Description	Finishes
#6MT400	Handheld Shower Set	<input type="checkbox"/> PC <input type="checkbox"/> Other____



ENGINEERING EXCELLENCE
 Pioneer:1-800-338-9468
 Commerce, CA 90040
 www.pioneerind.com
 Pioneer Industries, Inc. © 2013

	ITEM#	DESCRIPTION
A	X-4900112*	Handheld Showerhead
B	X-4600006*	60" Stainless Steel Flex Hose
C	X-4600005*	Vacuum Breaker
D	X-4600015*	Drop Ell
E	X-5600001	Mounting Kit
F	X-4600016T*	Top Brass Mounts
G	X-4600016B*	Bottom Brass Mounts
H	X-4600003*	Slide Bar
I	X-4900024	3/32" Allen wrench
1	X-4900002	3/32" Allen Screw
2	X-4600002	Mounting Screw
3	X-4900050	Washer

*Note: Please specify Finish/Color when ordering.



Product Diagram



ENGINEERING EXCELLENCE

Pioneer: 1-800-338-9468
 Commerce, CA 90040
 www.pioneerind.com
 Pioneer Industries, Inc. © 2013