



# ENGINEERING EXCELLENCE

## MOD Series #6MO400 SPECIFICATION SHEET

### DESCRIPTION

- Handheld Shower Set
- Single Function Handheld Showerhead
- 30" Slide Bar with Brass Mounts
- 60" Stainless Steel Flex Hose
- Brass Drop Ell with Vacuum Breaker

### STANDARDS APPLICABLE

- ASME A112.18.1
- ANSI A117.1
- CUPC / IAPMO LISTED
- **Note:-** Slide bar is not designed to be used as grab bar.

### FINISHES

- PC Polished Chrome
- BN PVD Brushed Nickel

### FLOW

- Showerhead Limited to 1.75 GPM



#6MO400 SHOWN



Model #: \_\_\_\_\_

Specific Features: \_\_\_\_\_

Project Name: \_\_\_\_\_

Submitted For: \_\_\_\_\_



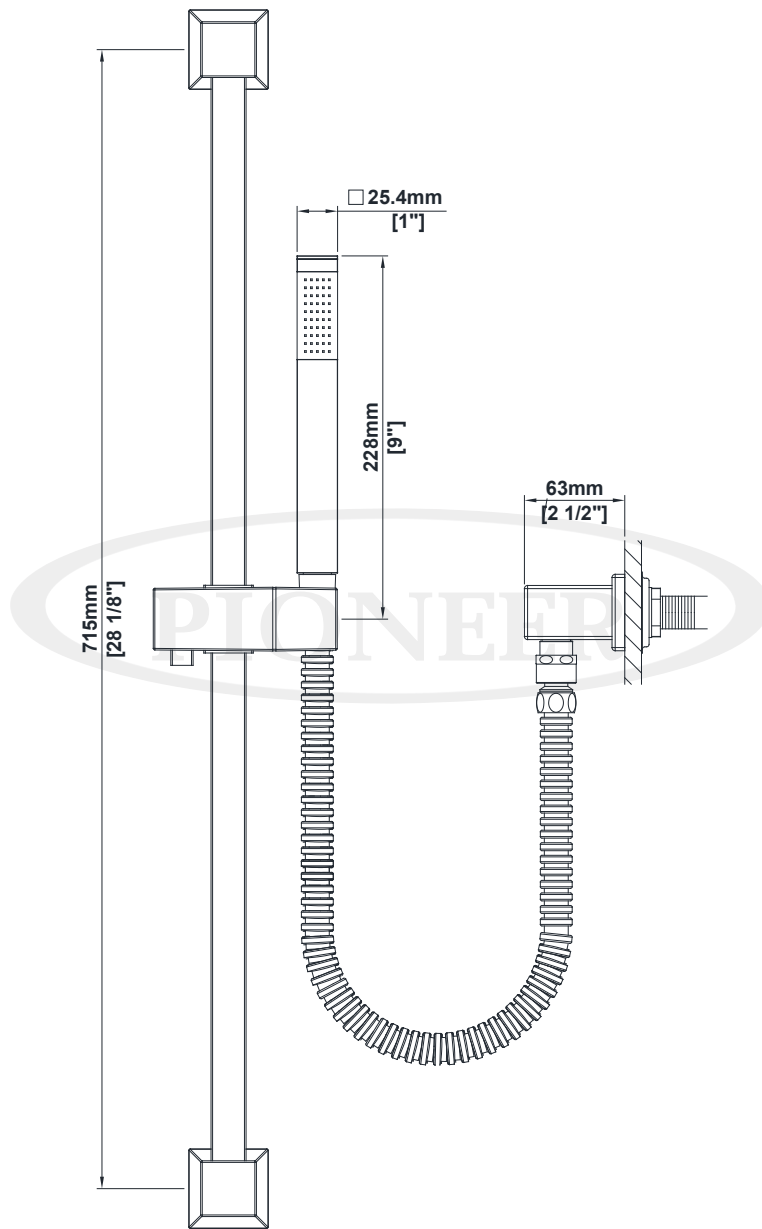
ENGINEERING EXCELLENCE

Pioneer:1-800-338-9468  
 Commerce, CA 90040  
 www.pioneerind.com  
 Pioneer Industries, Inc. © 2018

DMSP6MO400/REV. 06 2018  
 Page 1 of 2

**Installation Note:**

Please refer to the Installation Guide for complete installation instructions



**Product Diagram**



ENGINEERING EXCELLENCE

Pioneer: 1-800-338-9468

Commerce, CA 90040

www.pioneerind.com

Pioneer Industries, Inc. © 2018