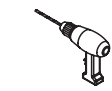




PIONEER INDUSTRIES, INC.
 3325 S. Garfield Ave.
 Commerce, CA 90040
 (800) 338-9468
 www.pioneerind.com

INSTALLATION

Tools:



Power Drill



Silicone Sealant



Teflon Tape



Rags

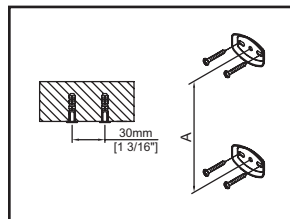
Model Number: 6DM400, 6MT400

Warnings and Notes:

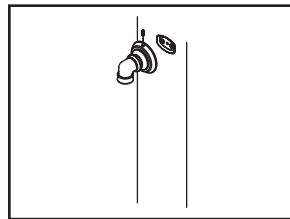
Check with local plumbing code requirements before installation. This product should be installed by a local listed plumber. **Do not use plumbers putty on threads.**

Installation Steps:

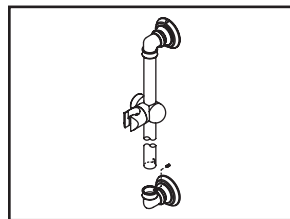
Handheld Shower Set



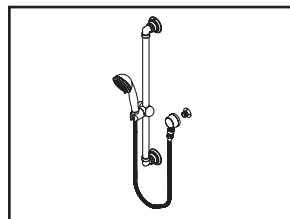
(1) Make sure distance between two mounting plates is as following: For 6DM400, 6AM400 – 25-1/8", For 6MT400 – 26". Drill four 1/4" holes as shown in the drawing. Use a hammer to tap plastic anchors into the holes and flush with the wall. Secure the mounting plates on wall with mounting screws.



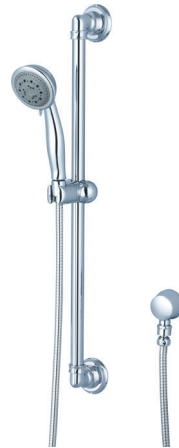
(2) Place top brass mount on the mounting plate, tighten mounting screw on the top of brass mount. Place slide bar to top brass mount.



(3) Place slide bar to bottom brass mount. Place bottom brass mount on mounting plate, tighten mounting screw on the bottom of brass mount. Align the notch on the bottom of slide bar to face back on bottom brass mount, tighten Allen screws on both brass mounts to secure slide bar.



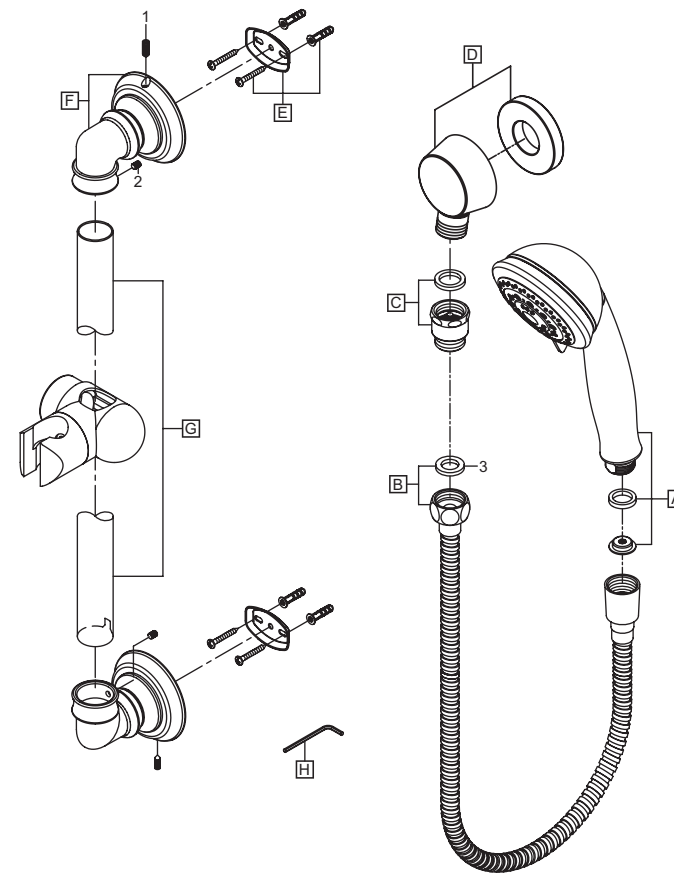
(4) Apply Teflon tape to the pipe nipple stretching out from the wall, attach drop ell to pipe nipple. Install vacuum breaker to drop ell. Connect 60" stainless steel hose to vacuum breaker. Use silicone sealant to caulk around drop ell to create water tight seal. Turn on water and check for any leaks. Turn off water and connect handheld showerhead to 60" stainless steel hose.



Exploded Drawing : (6DM400)

* Note: Please specify finish/color when ordering.

	ITEM #	DESCRIPTION
A	X-4600048*	1.75 GPM Handheld Showerhead
B	X-4600006*	60" SST Hose
C	X-4600005*	Vacuum Breaker
D	X-4600004*	Drop Ell
E	X-5600001	Mounting Kit
F	X-4600001*	Del Mar Brass Mounts
G	X-4600003*	Slide Bar
H	X-4900024	3/32" Allen Wrench
1	X-4600002	Mounting Screw
2	X-4900002	3/32" Allen Screw
3	OP-460025	Washer

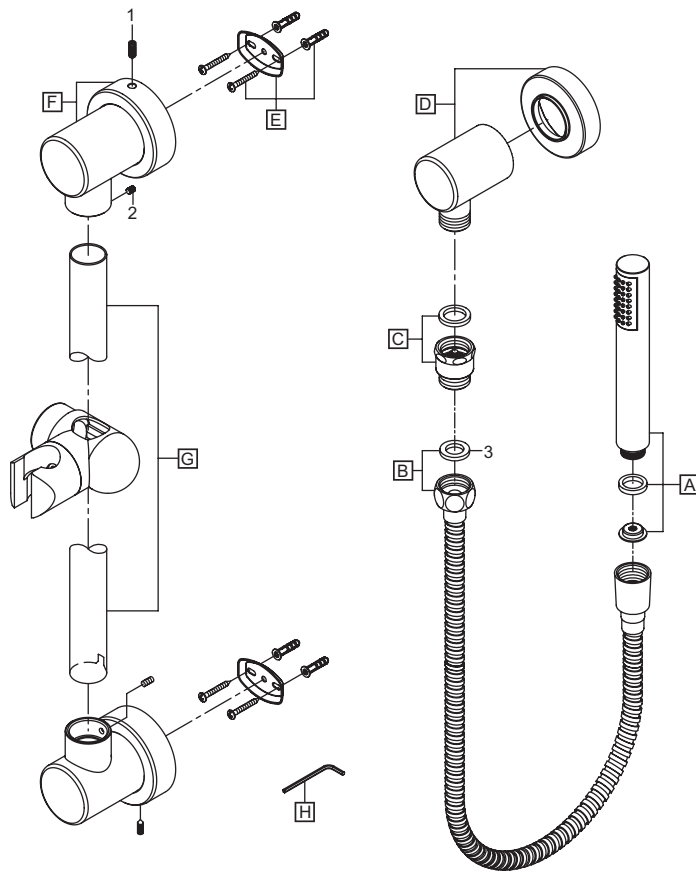


For more care information or trouble shooting inquiries about your Pioneer product, please call:
Pioneer Industries, Inc. (800) 338-9468
 Monday-Friday 8 AM to 8 PM EST (5 AM to 5 PM PST)
 www.pioneerind.com

Exploded Drawing : (6MT400)

* Note: Please specify finish/color when ordering.

	ITEM #	DESCRIPTION
A	X-4900112*	1.75 GPM Handheld Showerhead
B	X-4600006*	60" SST Hose
C	X-4600005*	Vacuum Breaker
D	X-4600015*	Drop Ell
E	X-5600001	Mounting Kit
F	X-4600016*	Brass Mounts
G	X-4600003*	Slide Bar
H	X-4900024	3/32" Allen Wrench
1	X-4600002	Mounting Screw
2	X-4900002	3/32" Allen Screw
3	OP-460025	Washer



For more care information or trouble shooting inquiries
about your Pioneer product, please call:
Pioneer Industries, Inc. (800) 338-9468
Monday-Friday 8 AM to 8 PM EST (5 AM to 5 PM PST)
www.pioneerind.com