



ENGINEERING EXCELLENCE

Mod Series #4MO610T

SPECIFICATION SHEET

DESCRIPTION

- Two Handle Roman Tub Trim Set
- Metal Lever Handles
- Rigid Spout
- 6-5/8" Reach
- 3-Hole 8" to 16" Installation

FINISHES

- PC Polished Chrome
- BN PVD Brushed Nickel
- MB Matte Black



#4MO610T SHOWN * ADA 

STANDARDS APPLICABLE

- ASME A112.18.1
- ANSI A117.1
- CUPC / IAPMO LISTED / ADA COMPLIANT

Model #: _____

Specific Features: _____

Project Name: _____

Submitted For: _____

Model	Description	Finishes
#4MO610T	Two Handle Roman Tub Trim Set	<input type="radio"/> PC <input type="radio"/> Other____
Required Valve		
#4300B	Two Handle Roman Tub Valve Set	<input type="radio"/> N/A



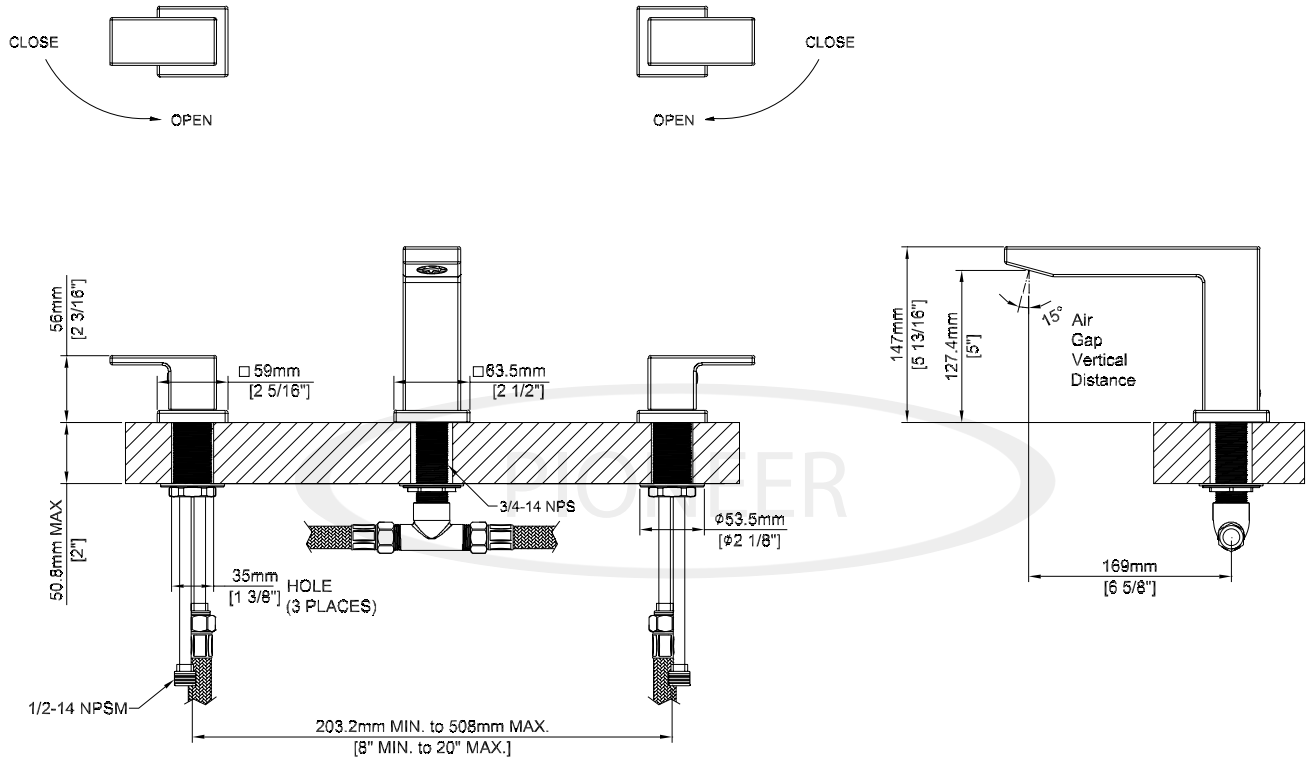
ENGINEERING EXCELLENCE

Pioneer: 1-800-338-9468
 Commerce, CA 90040
 www.pioneerind.com
 Pioneer Industries, Inc. © 2015

DMSP4MO610T/REV. 12 2015
 Page 1 of 2

Installation Note:

Please refer to Installation Guide For this Product.



Product Diagram



ENGINEERING EXCELLENCE

Pioneer: 1-800-338-9468

Commerce, CA 90040

www.pioneerind.com

Pioneer Industries, Inc. © 2015