



ENGINEERING EXCELLENCE

Motegi Series #3MT800

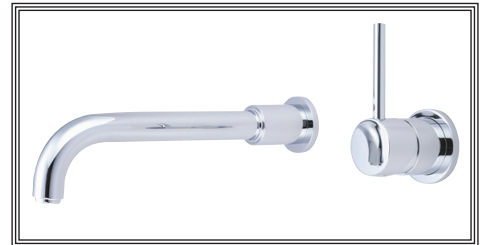
PARTS BREAKDOWN SHEET

DESCRIPTION

- Single Handle Lavatory Wall Mount Vessel Filler
- Metal Lever Handle
- Bent Nose Spout
- 10" Reach
- Ceramic Disc Cartridge with Temperature Limit Stop
- 2-Hole 4" Installation
- Includes Valve With Mounting Plate

FINISHES

- PC Polished Chrome
- BN PVD Brushed Nickel
- SS PVD Stainless Steel
- PN PVD Polished Nickel
- PB PVD Polished Brass



#3MT800 SHOWN * ADA 

STANDARDS APPLICABLE

- ASME A112.18.1
- ANSI A117.1
- ANSI / NSF 61, SECTION 9
- CUPC / IAPMO LISTED / ADA COMPLIANT
- CONTAINS NO MORE THAN 0.25% WEIGHTED AVERAGE LEAD CONTENT

FLOW

- Aerator Limited to 1.5 GPM



Model #: _____

Specific Features: _____

Project Name: _____

Submitted For: _____

Model	Description	Finishes	
#3MT800	Single Handle Lavatory Wall Mount Vessel Filler	<input type="checkbox"/> PC	<input type="checkbox"/> Other____



ENGINEERING EXCELLENCE

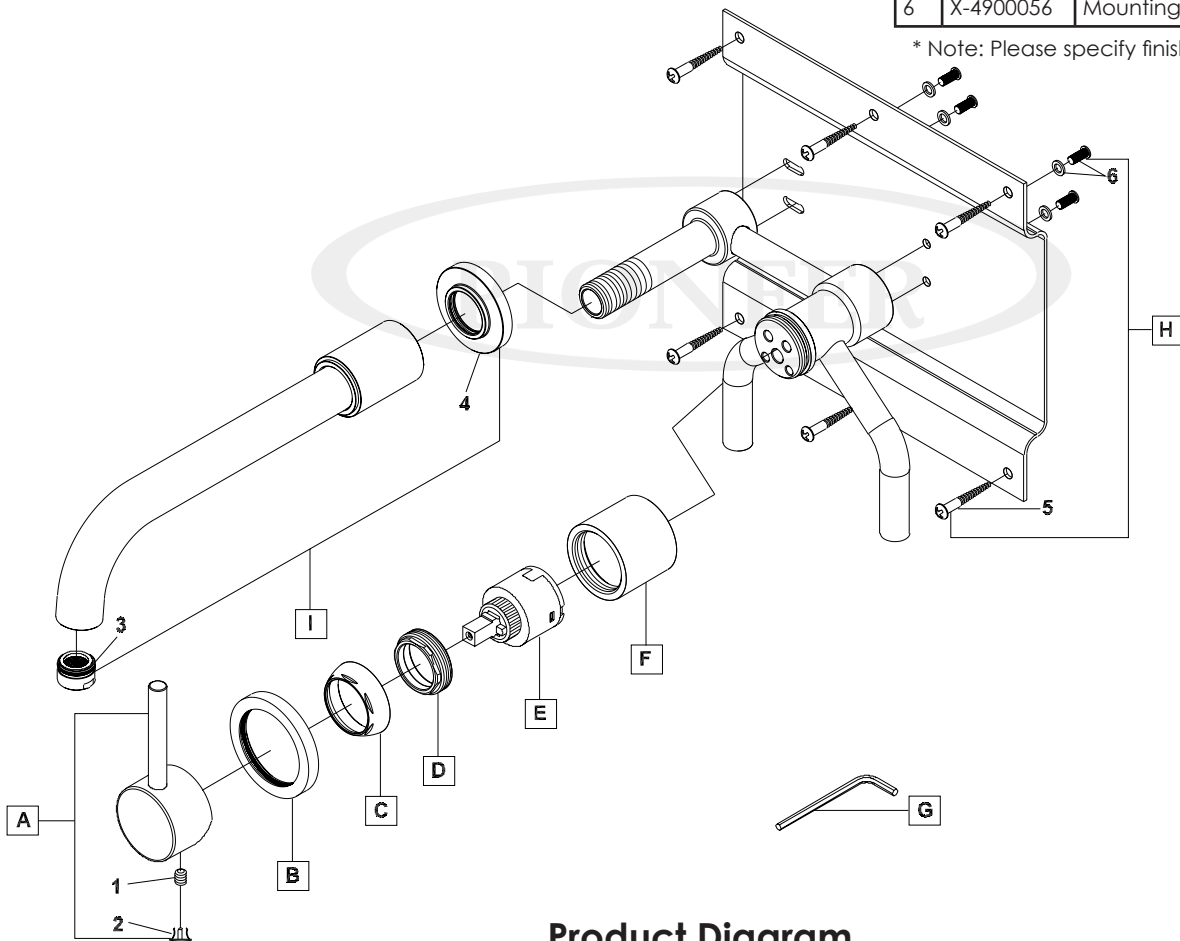
Pioneer:1-800-338-9468
 Commerce, CA 90040
 www.pioneerind.com
 Pioneer Industries, Inc. © 2013

DMPB3MT800/REV. 12 2012

Page 1 of 2

	ITEM#	DESCRIPTION
A	X-1900008*	Motegi Lever Handle
B	X-4900052*	Valve Escutcheon
C	X-4900017*	Retainer Sleeve
D	X-4900018	Retainer Nut
E	X-3900001	Ceramic Disc Cartridge
F	X-4200091*	Valve Sleeve
G	X-4900024	3/32" Allen Wrench
H	X-4900054	Mounting Bracket With Screws
I	X-2300005*	Motegi Bent Nose Spout
1	X-4900002	3/32" Allen Screw
2	X-4900044*	Hole Cover
3	X-4900089*	1.5 GPM Aerator
4	X-4300029*	Spout Escutcheon
5	X-4900055	Mounting Screw
6	X-4900056	Mounting Screw & Washer

* Note: Please specify finish/color when ordering



Product Diagram



ENGINEERING EXCELLENCE

Pioneer: 1-800-338-9468
 Commerce, CA 90040
 www.pioneerind.com
 Pioneer Industries, Inc. © 2013