



# ENGINEERING EXCELLENCE

## Motegi Series #3MT500 SPECIFICATION SHEET

### DESCRIPTION

- Two Handle Lavatory Wide-spread Faucet
- Metal Lever Handles
- Bent Nose Spout
- 6-1/2" Reach, 1-3/4" from Deck to Aerator
- Ceramic Disc Cartridges
- 3-Hole 6" to 16" Installation
- Brass Pop-Up Drain Assembly

### FINISHES

- PC Polished Chrome
- BN PVD Brushed Nickel



#3MT500 SHOWN \* ADA 

### STANDARDS APPLICABLE

- ASME A112.18.1
- ANSI A117.1
- ANSI / NSF 61, SECTION 9
- CUPC / IAPMO LISTED / ADA COMPLIANT
- CONTAINS NO MORE THAN 0.25% WEIGHTED AVERAGE LEAD CONTENT

### FLOW

- Aerator Limited to 1.2 GPM



Model #: \_\_\_\_\_

Specific Features: \_\_\_\_\_

Project Name: \_\_\_\_\_

Submitted For: \_\_\_\_\_

Model	Description	Finishes	
#3MT500	Two Handle Lavatory Widespread Faucet	<input type="checkbox"/> PC	<input type="checkbox"/> Other____



ENGINEERING EXCELLENCE

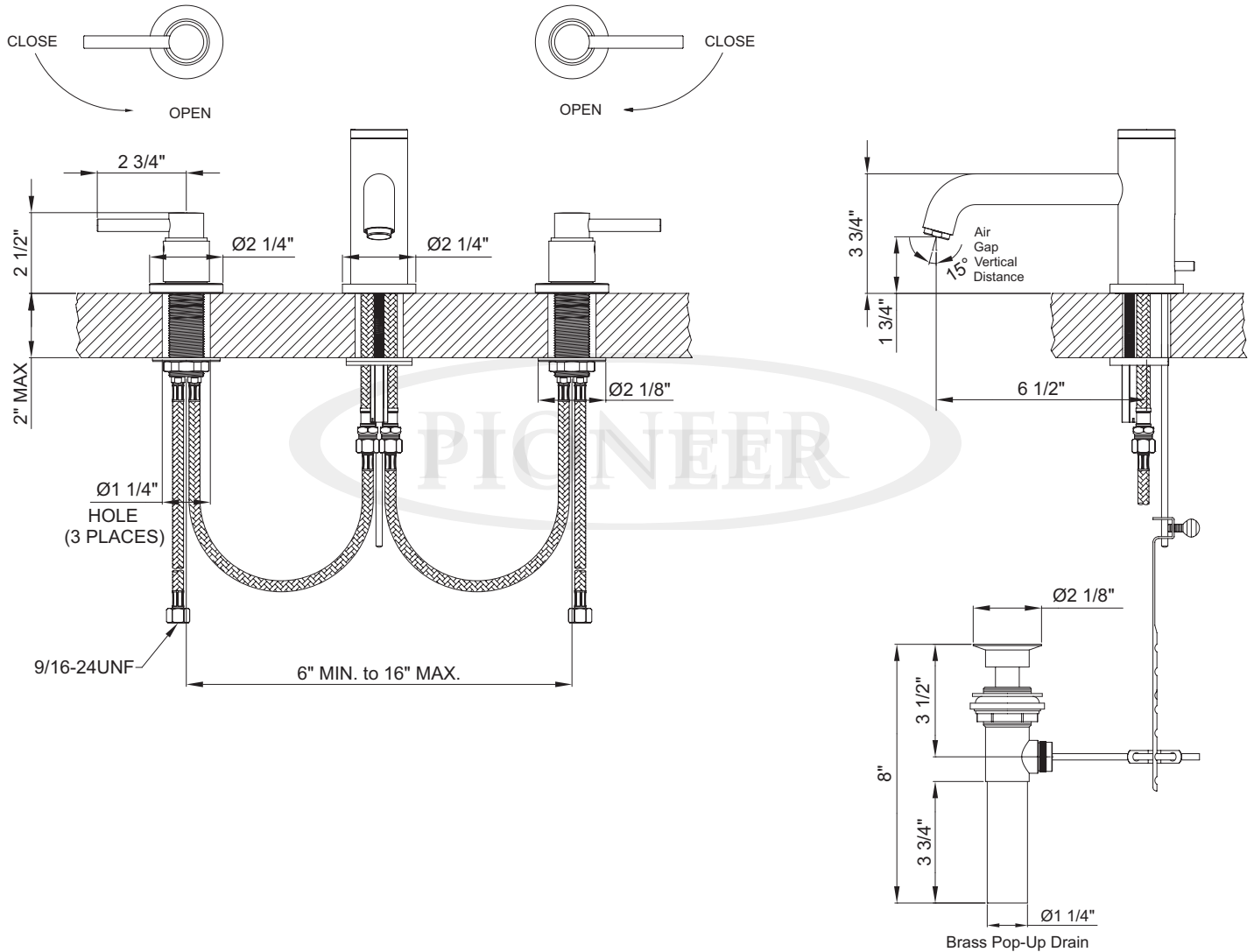
Pioneer:1-800-338-9468  
 Commerce, CA 90040  
 www.pioneerind.com  
 Pioneer Industries, Inc. © 2019

DMSP3MT500/REV. 01 2019  
 Page 1 of 2

**Installation Note:**

Faucet Hole Size:- 1-1/4"

Maximum Deck Thickness:- 2"



**Product Diagram**



ENGINEERING EXCELLENCE

Pioneer:1-800-338-9468

Commerce, CA 90040

www.pioneerind.com

Pioneer Industries, Inc. © 2019