



ENGINEERING EXCELLENCE

Mod Series #3MO200

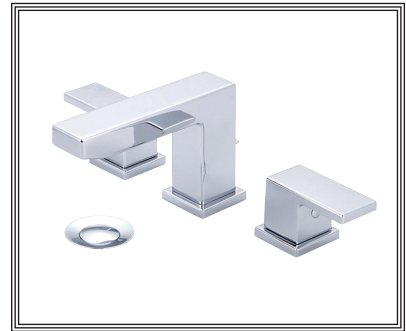
PARTS BREAKDOWN SHEET

DESCRIPTION

- Two Handle Lavatory Wide-spread Faucet
- Metal Lever Handle
- Rigid Spout
- 4-7/8" Reach, 3-3/8" from Deck to Aerator
- Ceramic Disc Cartridges
- 3-Hole 4" to 16" Installation
- Brass Pop-Up Drain Assembly
- Easy-Install 18" Flex Supply Lines With 3/8" Connections
- With 1.5 GPM Laminar Flow Rate

FINISHES

- PC Polished Chrome
- BN PVD Brushed Nickel
- MB Matte Black



#3MO200 SHOWN * ADA



FLOW

- Aerator Limited to 1.5 GPM

STANDARDS APPLICABLE

- ASME A112.18.1
- ANSI A117.1
- ANSI / NSF 61, SECTION 9
- CUPC / IAPMO LISTED / ADA COMPLIANT / Cal Green Compliant
- CONTAINS NO MORE THAN 0.25% WEIGHTED AVERAGE LEAD CONTENT



Model #: _____

Specific Features: _____

Project Name: _____

Submitted For: _____

Model	Description	Finishes	
#3MO200	Two Handle Lavatory Widespread Faucet	<input type="checkbox"/> PC	<input type="checkbox"/> Other_____



ENGINEERING EXCELLENCE

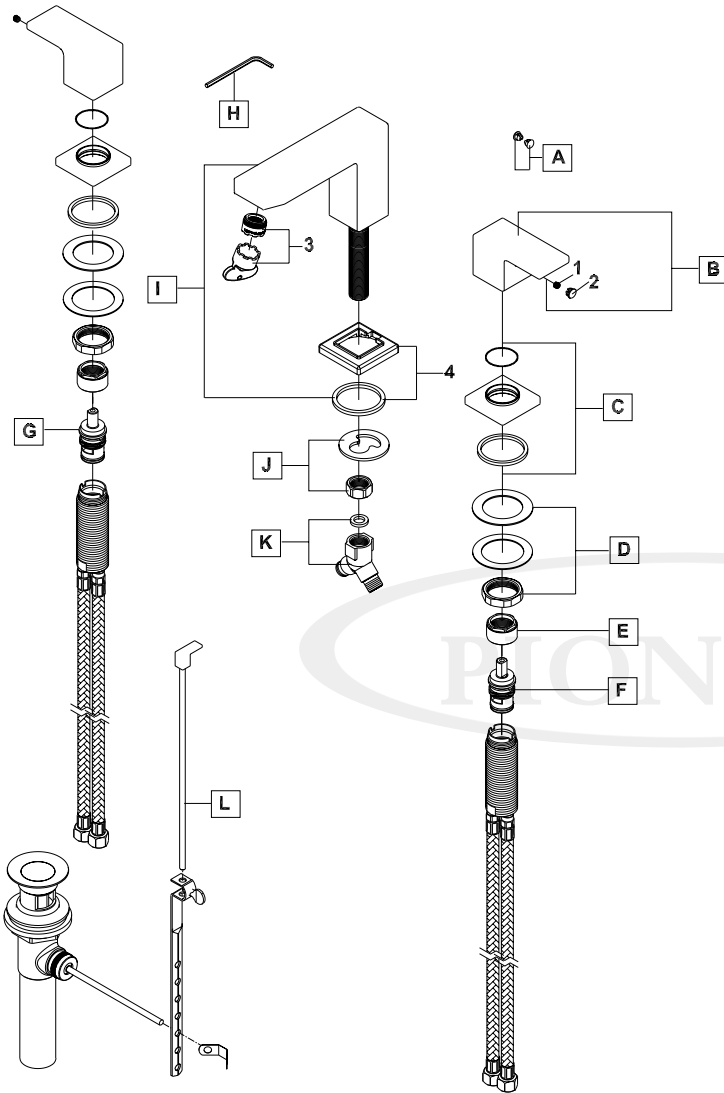
Pioneer:1-800-338-9468
 Commerce, CA 90040
 www.pioneerind.com
 Pioneer Industries, Inc. © 2016

DMPB3MO200/REV. 08 2016

Page 1 of 2

	ITEM #	DESCRIPTION
A	X-4300093	Red/Blue Index Button
B	X-1300020*	Metal Lever Handle
C	X-4300094*	Valve Escutcheon
D	X-5900001	Valve Mounting Kit
E	X-4900022	Bonnet Nut
F	X-3900002C	Ceramic Disc Cartridge-Cold
G	X-3900002H	Ceramic Disc Cartridge-Hot
H	X-4900024	3/32" Allen Wrench
I	X-2300021*	Square Rigid Spout
J	X-5300003	Spout Mounting Kit
K	X-4300011	Y Connector
L	X-6300030*	Pop-up Drain Assembly
1	X-4900002	3/32" Allen Screw
2	X-4900044*	Hole Cover
3	X-4300090	1.5 GPM Aerator
4	X-4300091*	Spout Escutcheon

* Note: Please specify finish/color when ordering.



Product Diagram



ENGINEERING EXCELLENCE

Pioneer: 1-800-338-9468
 Commerce, CA 90040
 www.pioneerind.com
 Pioneer Industries, Inc. © 2016