



# ENGINEERING EXCELLENCE

## Mod Series #3MO168 PARTS BREAKDOWN SHEET

### DESCRIPTION

- Single Handle Lavatory Faucet
- Metal Lever Handle
- Rigid Spout
- 4-3/8" Reach, 12" from Deck to Aerator
- Ceramic Disc Cartridge
- 1-Hole Installation
- Easy-Install 18" Flex Supply Lines With 3/8" Connections
- With 1.5 GPM Laminar Flow Rate

### FINISHES

- PC Polished Chrome
- BN PVD Brushed Nickel

### FLOW

- Aerator Limited to 1.5 GPM



#3MO168 SHOWN \* ADA 

### STANDARDS APPLICABLE

- ASME A112.18.1
- ANSI A117.1
- ANSI / NSF 61, SECTION 9
- CUPC / IAPMO LISTED / ADA COMPLIANT / Cal Green Compliant
- CONTAINS NO MORE THAN 0.25% WEIGHTED AVERAGE LEAD CONTENT



Model #: \_\_\_\_\_

Specific Features: \_\_\_\_\_

Project Name: \_\_\_\_\_

Submitted For: \_\_\_\_\_

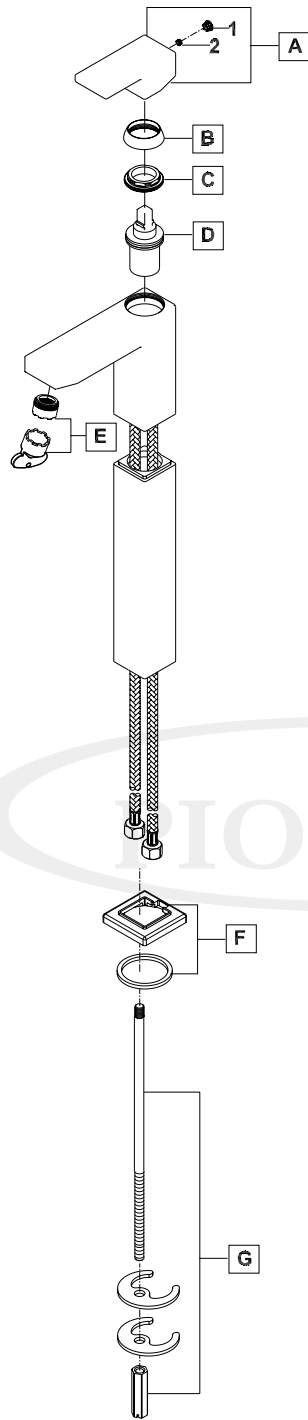
Model	Description	Finishes	
#3MO168	Single Handle Lavatory Faucet	<input type="checkbox"/> PC	<input type="checkbox"/> Other__



ENGINEERING EXCELLENCE

Pioneer:1-800-338-9468  
 Commerce, CA 90040  
 www.pioneerind.com  
 Pioneer Industries, Inc. © 2016

DMPB3MO168/REV. 08 2016  
 Page 1 of 2



	ITEM #	DESCRIPTION
A	X-1300019*	Metal Lever Handle
B	X-4300088*	Cap
C	X-4300089	Locknut
D	X-3300006	Ceramic Disc Cartridge
E	X-4300090	1.5 GPM Aerator
F	X-4300091*	Escutcheon
G	X-5300008	Mounting Kit
1	X-4900044*	Hole Cover
2	X-4400099	Allen Screw

\* Note: Please specify finish/color when ordering.

Product Diagram

