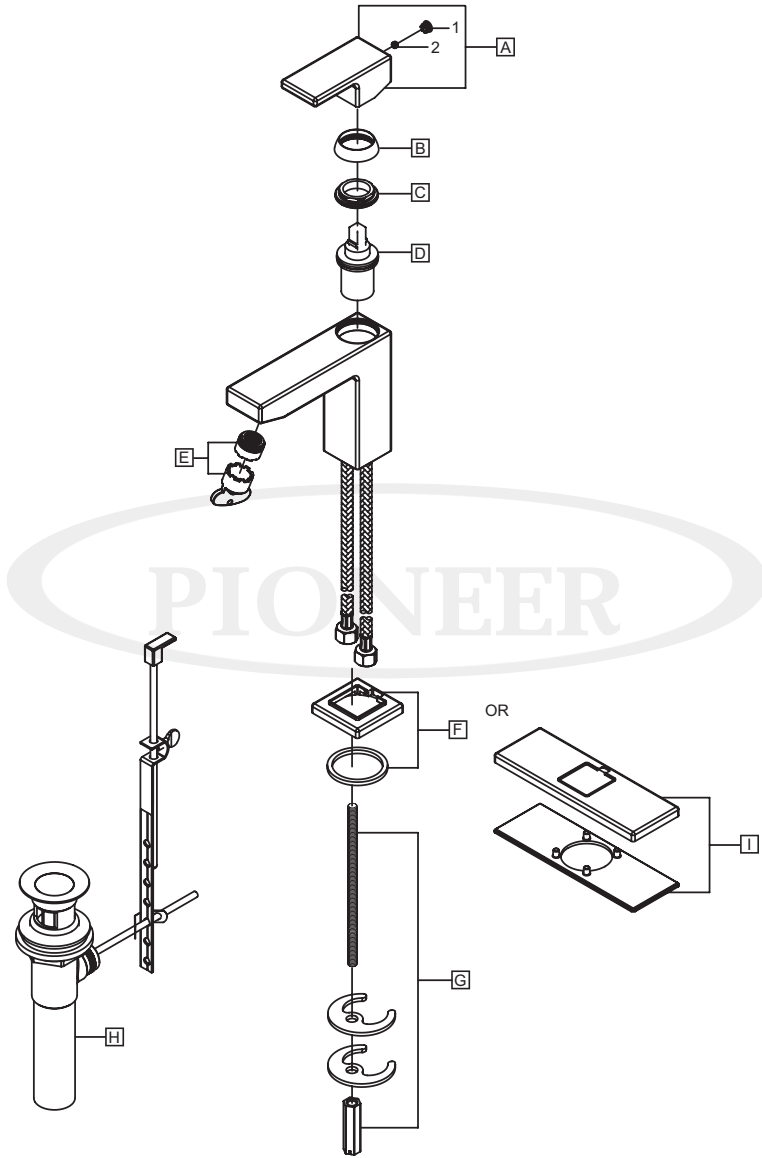




PARTS BREAKDOWN SHEET ENGINEERING EXCELLENCE



ITEM#	DESCRIPTION	ITEM#	DESCRIPTION
A	X-1300019*	1	X-4900044*
B	X-4300088*	2	X-4400099
C	X-4300089		
D	X-3300006		
E	OP-490062		
F	X-4300091*		
G	X-5300012		
H	X-6300029*		
I	X-4300087*		

* Note- Please Specify finish/color code while ordering.



PARTS BREAKDOWN SHEET ENGINEERING EXCELLENCE

Model Number: 3MO160 Series

* Note- Please Specify finish\color code while ordering.

	ITEM #	DESCRIPTION
A	X-1300019*	Metal Lever Handle
B	X-4300088*	Cap
C	X-4300089	Retainer Nut
D	X-3300006	Ceramic Disc Cartridge
E	OP-490062*	1.2 GPM Aerator & Tool
F1	X-4300091*	Escutcheon and Washer
F2	X-4300087*	Deck Plate (For "-WD" Suffix)
G	X-5300012	Mounting Kit
H	X-6300029*	Pop-Up Drain Assembly
1	X-4900044*	Hole Cover
2	X-4400099	Allen Screw

