



ENGINEERING EXCELLENCE

Legacy Series #3LG160H

PARTS BREAKDOWN SHEET

DESCRIPTION

- Single Handle Lavatory Faucet
- Metal Lever Handle
- 4-5/8" Reach, 1-7/8" From Deck to Aerator
- Ceramic Disc Cartridge with Temperature Limit Stop
- 3-Hole 4" Installation
- Brass Pop-Up Drain Assembly
- Easy-Install 18" Flex Supply Lines With 3/8" Connections

FINISHES

- PC Polished Chrome
- SS PVD Stainless Steel
- BN PVD Brushed Nickel
- ORB Oil Rubbed Bronze



#3LG160H SHOWN * ADA



STANDARDS APPLICABLE

- ASME A112.18.1
- ANSI A117.1
- ANSI / NSF 61, SECTION 9
- CUPC / IAPMO LISTED / ADA COMPLIANT
- CONTAINS NO MORE THAN 0.25% WEIGHTED AVERAGE LEAD CONTENT

FLOW

- Aerator Limited to 1.5 GPM



Certified by IAPMO R&T

Model #: _____

Specific Features: _____

Project Name: _____

Submitted For: _____

Model	Description	Finishes	
#3LG160H	Single Handle Lavatory Faucet	<input type="checkbox"/> PC	<input type="checkbox"/> Other___



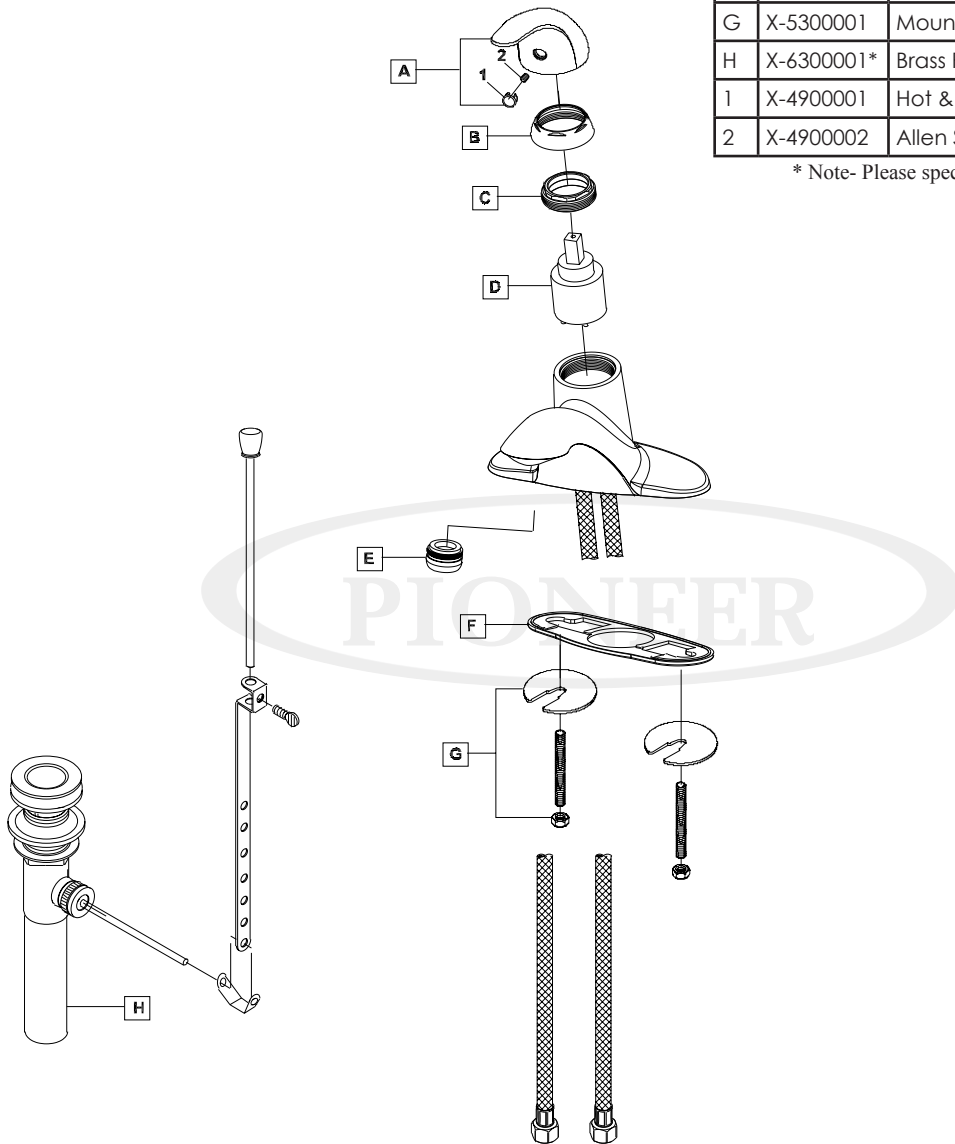
ENGINEERING EXCELLENCE

Pioneer:1-800-338-9468
 Commerce, CA 90040
 www.pioneerind.com
 Pioneer Industries, Inc. © 2016

DMPB3LG160H/REV. 08 2016
 Page 1 of 2

	ITEM#	DESCRIPTION
A	X-1300001*	Legacy Lever Handle
B	X-4900017*	Retainer Cap
C	X-4900018	Retainer Nut
D	X-3900003	Ceramic Disc Cartridge
E	X-4900081*	1.5 GPM Aerator
F	X-4300003	Base Plate
G	X-5300001	Mounting Kit
H	X-6300001*	Brass Pop-Up
1	X-4900001	Hot & Cold Indicator
2	X-4900002	Allen Screw

* Note- Please specify finish/color code while ordering.



Product Diagram



ENGINEERING EXCELLENCE

Pioneer: 1-800-338-9468
 Commerce, CA 90040
 www.pioneerind.com
 Pioneer Industries, Inc. © 2016