



ENGINEERING EXCELLENCE

Legacy Series #3LG160

SPECIFICATION SHEET

DESCRIPTION

- Single Handle Lavatory Faucet
- Metal Lever Handle
- 4-5/8" Reach, 1-7/8" From Deck to Aerator
- Ceramic Disc Cartridge with Temperature Limit Stop
- 3-Hole 4" Installation
- Brass Pop-Up Drain Assembly

FINISHES

- PC Polished Chrome
- BN PVD Brushed Nickel



#3LG160 SHOWN * ADA



FLOW

- Aerator Limited to 1.2 GPM
 - E0.5 - 0.5 GPM Flow Rate
- Aerator Available upon request

STANDARDS APPLICABLE

- ASME A112.18.1
- ANSI A117.1
- ANSI / NSF 61, SECTION 9
- CUPC / IAPMO LISTED / ADA COMPLIANT
- CONTAINS NO MORE THAN 0.25% WEIGHTED AVERAGE LEAD CONTENT



Model #: _____

Specific Features: _____

Project Name: _____

Submitted For: _____

Model	Description	Finishes	
#3LG160	Single Handle Lavatory Faucet	<input type="checkbox"/> PC	<input type="checkbox"/> Other__
#3LG160B	Single Handle Lavatory Faucet-Builder Tract Pack	<input type="checkbox"/> PC	<input type="checkbox"/> Other__
#3LG161	Single Handle Lavatory Faucet- Less Pop-UP Drain	<input type="checkbox"/> PC	<input type="checkbox"/> Other__
#3LG161G	Single Handle Lavatory Faucet- With Grid Drain Assembly	<input type="checkbox"/> PC	<input type="checkbox"/> Other__



ENGINEERING EXCELLENCE

Pioneer: 1-800-338-9468
 Commerce, CA 90040
 www.pioneerind.com
 Pioneer Industries, Inc. © 2017

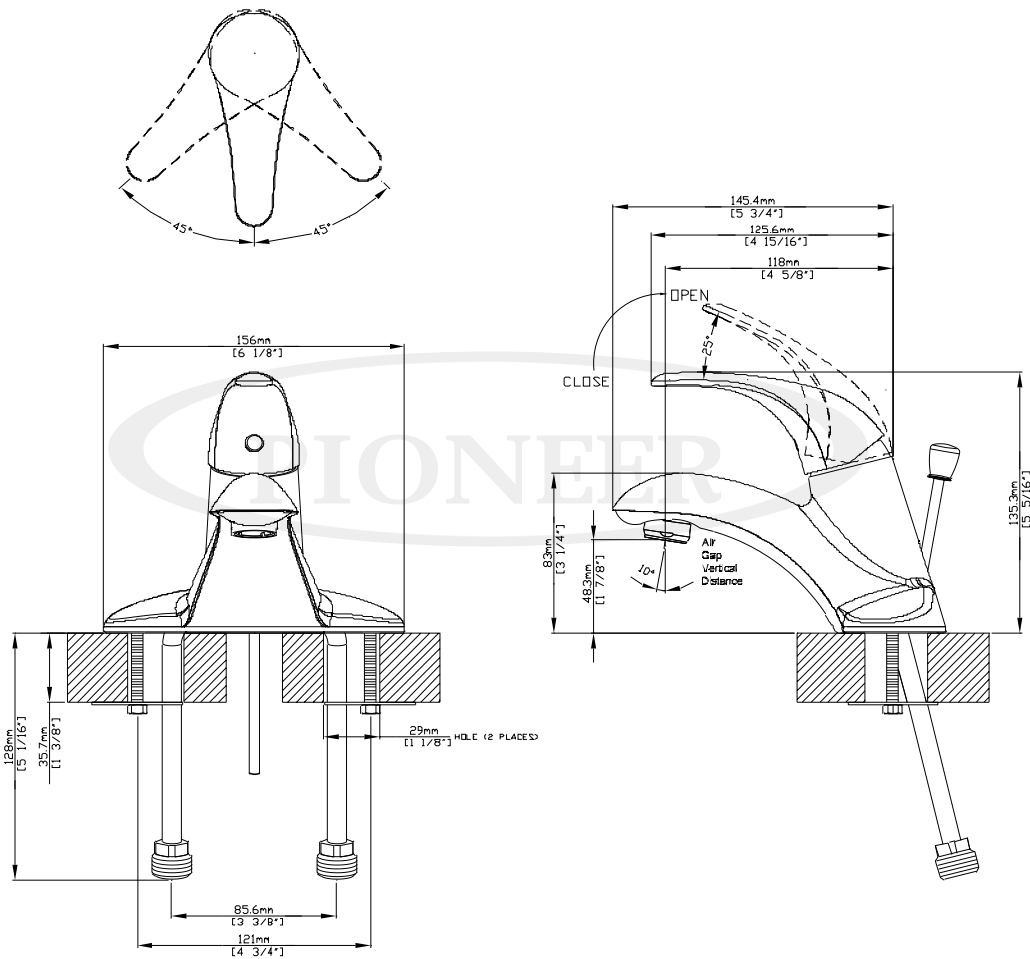
DMSP3LG160/REV. 11 2017

Page 1 of 2

Installation Note:

Faucet Hole Size :- 1-1/4"

Maximum Deck Thickness:- 1-3/8"



Product Diagram



ENGINEERING EXCELLENCE

Pioneer:1-800-338-9468

Commerce, CA 90040

www.pioneerind.com

Pioneer Industries, Inc. © 2017