



ENGINEERING EXCELLENCE

Legacy Series #3LG160

PARTS BREAKDOWN SHEET

DESCRIPTION

- Single Handle Lavatory Faucet
- Metal Lever Handle
- 4-5/8" Reach, 1-7/8" From Deck to Aerator
- Ceramic Disc Cartridge with Temperature Limit Stop
- 3-Hole 4" Installation
- Brass Pop-Up Drain Assembly

FINISHES

- PC Polished Chrome
- SS PVD Stainless Steel
- BN PVD Brushed Nickel
- MZ Moroccan Bronze
- ORB Oil Rubbed Bronze



#3LG160 SHOWN * ADA



STANDARDS APPLICABLE

- ASME A112.18.1
- ANSI A117.1
- ANSI / NSF 61, SECTION 9
- CUPC / IAPMO LISTED / ADA COMPLIANT / Cal Green Compliant
- CONTAINS NO MORE THAN 0.25% WEIGHTED AVERAGE LEAD CONTENT

FLOW

- Aerator Limited to 1.5 GPM



Model #: _____

Specific Features: _____

Project Name: _____

Submitted For: _____

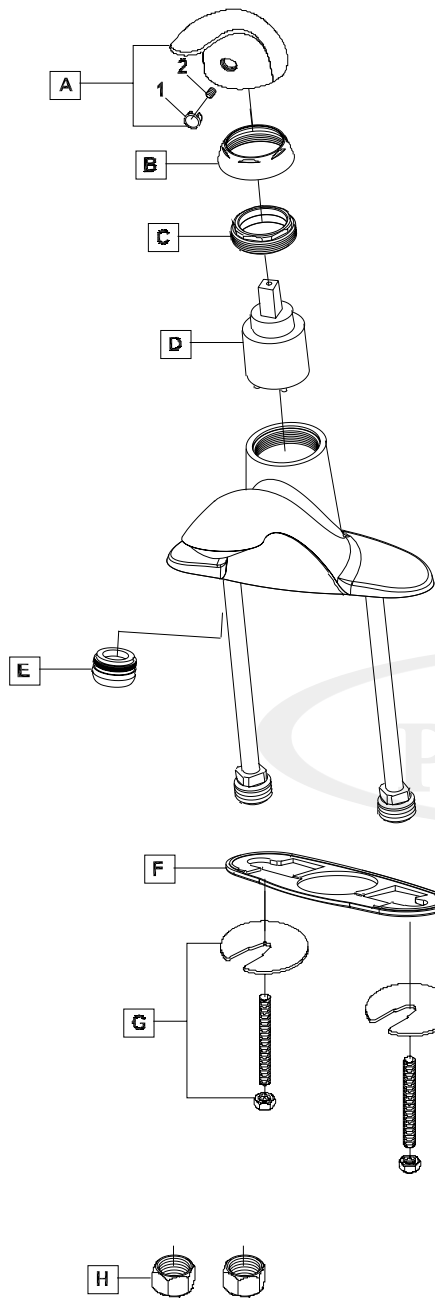
Model	Description	Finishes	
#3LG160	Single Handle Lavatory Faucet	<input type="checkbox"/> PC	<input type="checkbox"/> Other____
#3LG160B	Single Handle Lavatory Faucet-Builder Tract Pack	<input type="checkbox"/> PC	<input type="checkbox"/> BN
#3LG161	Single Handle Lavatory Faucet-Less Pop-UP Drain	<input type="checkbox"/> PC	
#3LG161G	Single Handle Lavatory Faucet-With Grid Drain Assembly	<input type="checkbox"/> PC	
#3LG162B	Single Handle Lavatory Faucet-With 50/50 Pop-Up Drain Assembly	<input type="checkbox"/> PC	



ENGINEERING EXCELLENCE

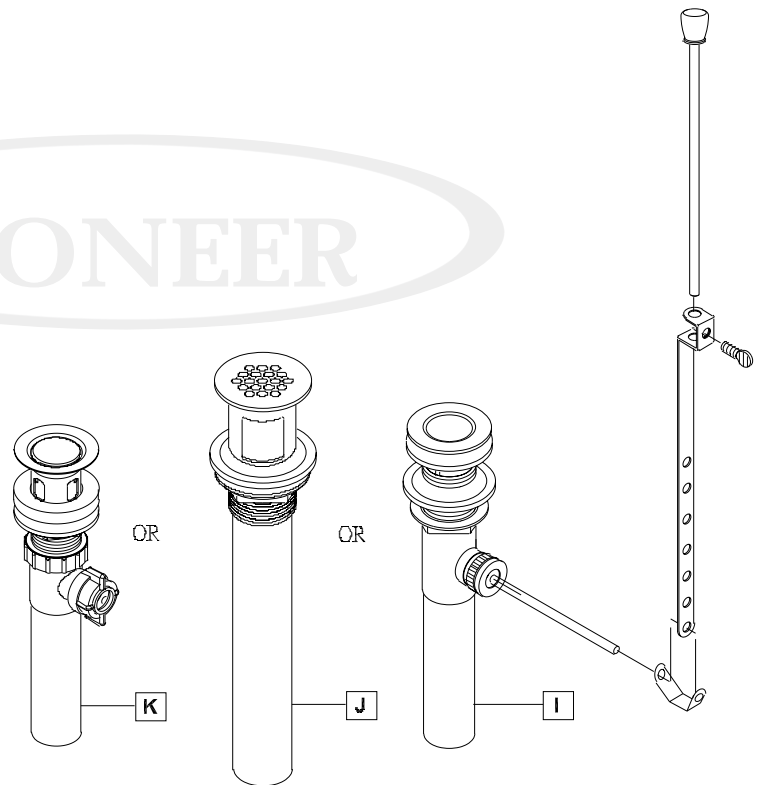
Pioneer:1-800-338-9468
 Commerce, CA 90040
 www.pioneerind.com
 Pioneer Industries, Inc. © 2016

DMPB3LG160/REV. 08 2016
 Page 1 of 2



	ITEM#	DESCRIPTION
A	X-1300001*	Legacy Lever Handle
B	X-4900017*	Retainer Cap
C	X-4900018	Retainer Nut
D	X-3900003	Ceramic Disc Cartridge
E	X-4900081*	1.5 GPM Aerator
F	X-4300003	Base Plate
G	X-5300001	Mounting Kit
H	X-4900004	Supply Nut
I	X-6300001*	Brass Pop-Up (For 3LG160, 3LG160B)
J	X-6300002*	Brass Grid Strainer (For 3LG161G)
K	X-6300023*	Legacy 50/50 Pop-Up (For 3LG162B)
1	X-4900001	Hot & Cold Indicator
2	X-4900002	Allen Screw

* Note- Please specify finish/color code while ordering.



Product Diagram

