



# ENGINEERING EXCELLENCE

Legacy Series #3LG130

PARTS BREAKDOWN SHEET

### DESCRIPTION

- Two Handle Lavatory Faucet
- Metal Lever Handles
- 3-9/16" Reach, 1-15/16" From Deck to Aerator
- Ceramic Disc Cartridges
- 3-Hole 4" Installation
- Brass Pop-Up Drain Assembly

### FINISHES

- PC Polished Chrome
- BN PVD Brushed Nickel



#3LG130 SHOWN \* ADA 

### STANDARDS APPLICABLE

- ASME A112.18.1
- ANSI A117.1
- ANSI / NSF 61, SECTION 9
- CUPC / IAPMO LISTED / ADA COMPLIANT
- CONTAINS NO MORE THAN 0.25% WEIGHTED AVERAGE LEAD CONTENT

### FLOW

- Aerator Limited to 1.5 GPM



Model #: \_\_\_\_\_

Specific Features: \_\_\_\_\_

Project Name: \_\_\_\_\_

Submitted For: \_\_\_\_\_

Model	Description	Finishes	
#3LG130	Two Handle Lavatory Faucet	<input type="checkbox"/> PC	<input type="checkbox"/> Other__
#3LG131	Two Handle Lavatory Faucet-Less Pop-Up Drain	<input type="checkbox"/> PC	<input type="checkbox"/> Other__



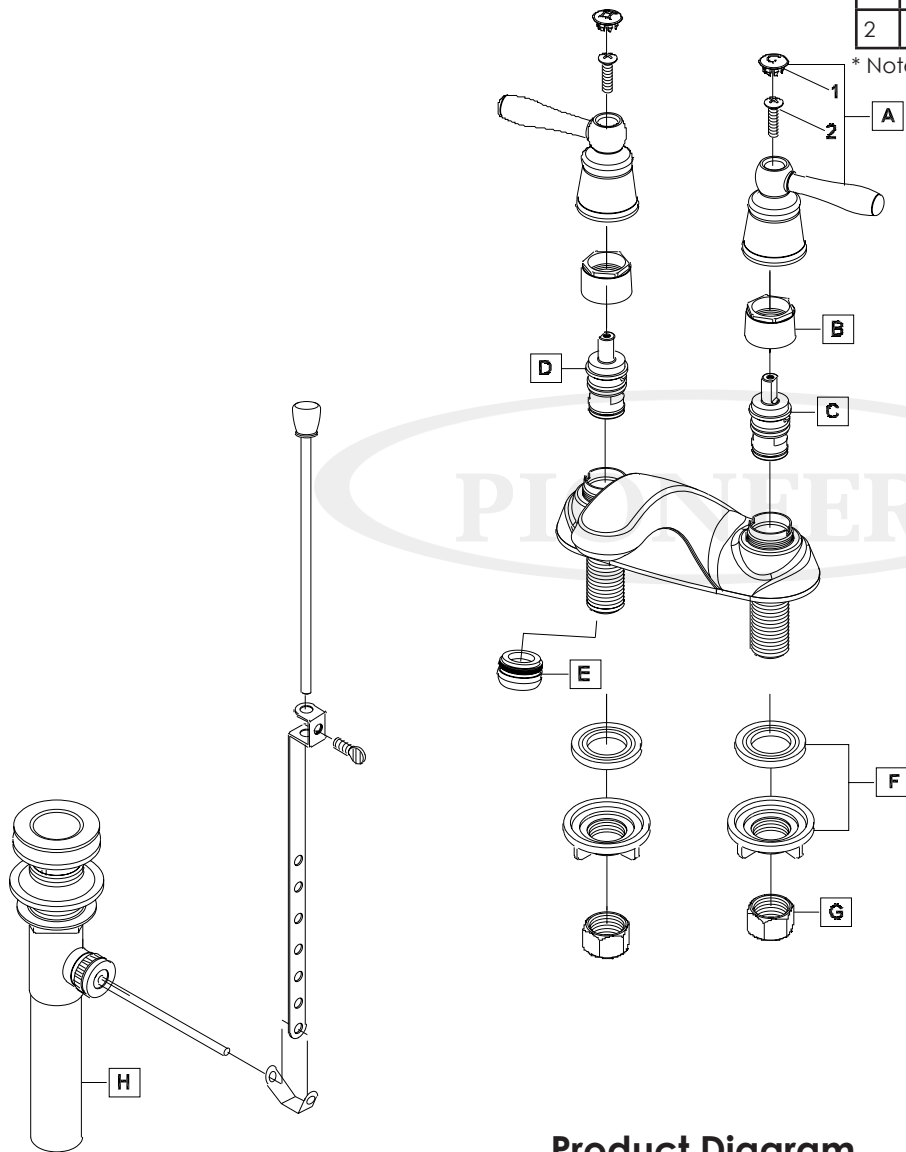
ENGINEERING EXCELLENCE

Pioneer:1-800-338-9468  
 Commerce, CA 90040  
 www.pioneerind.com  
 Pioneer Industries, Inc. © 2016

DMPB3LG130/REV. 08 2016  
 Page 1 of 2

	ITEM#	DESCRIPTION
A	X-1900004C,H*	Lever Handle-Cold, Hot
B	X-4900007	Bonnet Nut
C	X-3900002C	Ceramic Stem - Cold
D	X-3900002H	Ceramic Stem - Hot
E	X-4300058*	1.5 GPM Aerator
F	X-4900008	Mounting Kit
G	X-4900004	Supply Nut
H	X-6300001*	Legacy Brass Pop-Up
1	X-4900014C,H*	Lever Handle Index-Cold, Hot
2	X-4900015	Lever Handle Screw

\* Note- Please specify finish/color code while ordering.



Product Diagram



ENGINEERING EXCELLENCE

Pioneer:1-800-338-9468  
 Commerce, CA 90040  
 www.pioneerind.com  
 Pioneer Industries, Inc. © 2016