



ENGINEERING EXCELLENCE

Del Mar Series #3DM300

PARTS BREAKDOWN SHEET

DESCRIPTION

- Two Handle Lavatory Wide-spread Faucet
- Metal Lever Handles
- Rigid J Style Spout
- 4-5/8" Reach, 3-7/8" from Deck to Aerator
- Ceramic Disc Cartridges
- 3-Hole 6" to 16" Installation
- Brass Pop-Up Drain Assembly

FINISHES

- PC Polished Chrome
- BN PVD Brushed Nickel
- ORB Oil Rubbed Bronze
- MZ Moroccan Bronze



#3DM300 SHOWN * ADA 

STANDARDS APPLICABLE

- ASME A112.18.1
- ANSI A117.1
- ANSI / NSF 61, SECTION 9
- CUPC / IAPMO LISTED / ADA COMPLIANT
- CONTAINS NO MORE THAN 0.25% WEIGHTED AVERAGE LEAD CONTENT

FLOW

- Aerator Limited to 1.5 GPM



Model #: _____

Specific Features: _____

Project Name: _____

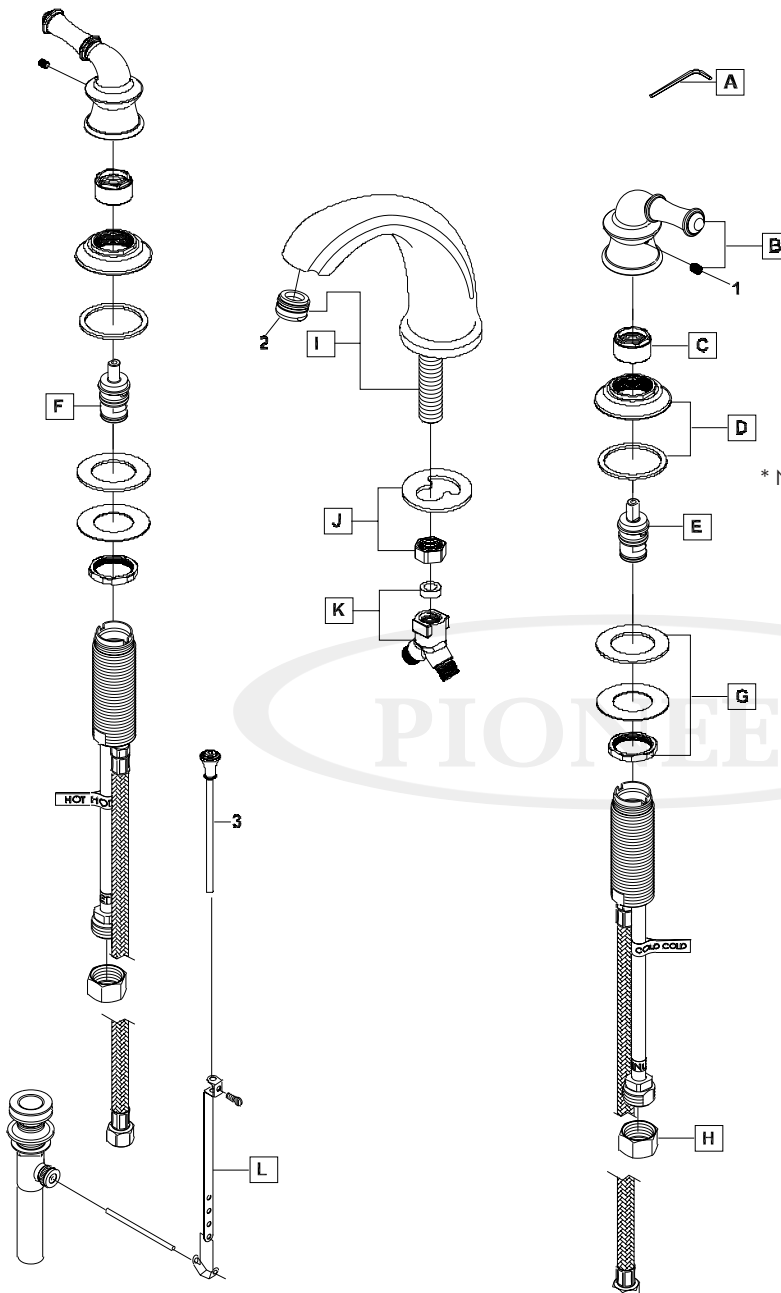
Submitted For: _____

| Model | Description | Finishes | |
|---------|---------------------------------------|-----------------------------|------------------------------------|
| #3DM300 | Two Handle Lavatory Widespread Faucet | <input type="checkbox"/> PC | <input type="checkbox"/> Other____ |



ENGINEERING EXCELLENCE

Pioneer:1-800-338-9468
 Commerce, CA 90040
 www.pioneerind.com
 Pioneer Industries, Inc. © 2016



| | ITEM# | DESCRIPTION |
|---|------------|------------------------|
| A | X-4900024 | 3/32" Allen Wrench |
| B | X-1200006* | Del Mar Handle |
| C | X-4900022 | Bonnet Nut |
| D | X-4900023* | Handle Escutcheon |
| E | X-3900002C | Ceramic Stem - Cold |
| F | X-3900002H | Ceramic Stem - Hot |
| G | X-5900001 | Mounting Kit |
| H | X-4900004 | Supply Nut |
| I | X-2300002* | Del Mar 'J' Spout |
| J | X-5300003 | Spout Mounting Kit |
| K | X-4300011 | 'Y' Connector & Washer |
| L | X-6300012* | Pop-Up |
| 1 | X-4900002 | Allen Screw |
| 2 | X-4900081* | 1.5 GPM Aerator |
| 3 | X-4300041* | Pop-Up Lift Rod |

* Note- Please specify finish/color code while ordering.

Product Diagram



ENGINEERING EXCELLENCE

Pioneer: 1-800-338-9468
 Commerce, CA 90040
 www.pioneerind.com
 Pioneer Industries, Inc. © 2016