



ENGINEERING EXCELLENCE

Brentwood Series #3BR300

SPECIFICATION SHEET

DESCRIPTION

- Two Handle Lavatory Faucet
- Metal Lever Handles
- Gooseneck Spout Swivel 360°
- 4-7/8" Reach, 4-9/16" from Deck to Aerator
- Ceramic Disc Cartridges
- 3-Hole 4" Installation
- Brass Pop-Up Drain Assembly

FINISHES

- PC Polished Chrome
- BN PVD Brushed Nickel
- ORB Oil Rubbed Bronze



#3BR300 SHOWN * ADA 

STANDARDS APPLICABLE

- ASME A112.18.1
- ANSI A117.1
- ANSI / NSF 61, SECTION 9
- CUPC / IAPMO LISTED / ADA COMPLIANT
- CONTAINS NO MORE THAN 0.25% WEIGHTED AVERAGE LEAD CONTENT

FLOW

- Aerator Limited to 1.2 GPM
- E0.5 - 0.5 GPM Flow Rate
Aerator Available upon request



Model #: _____

Specific Features: _____

Project Name: _____

Submitted For: _____

Model	Description	Finishes
#3BR300	Two Handle Lavatory Faucet	<input type="checkbox"/> PC <input type="checkbox"/> Other _____



ENGINEERING EXCELLENCE

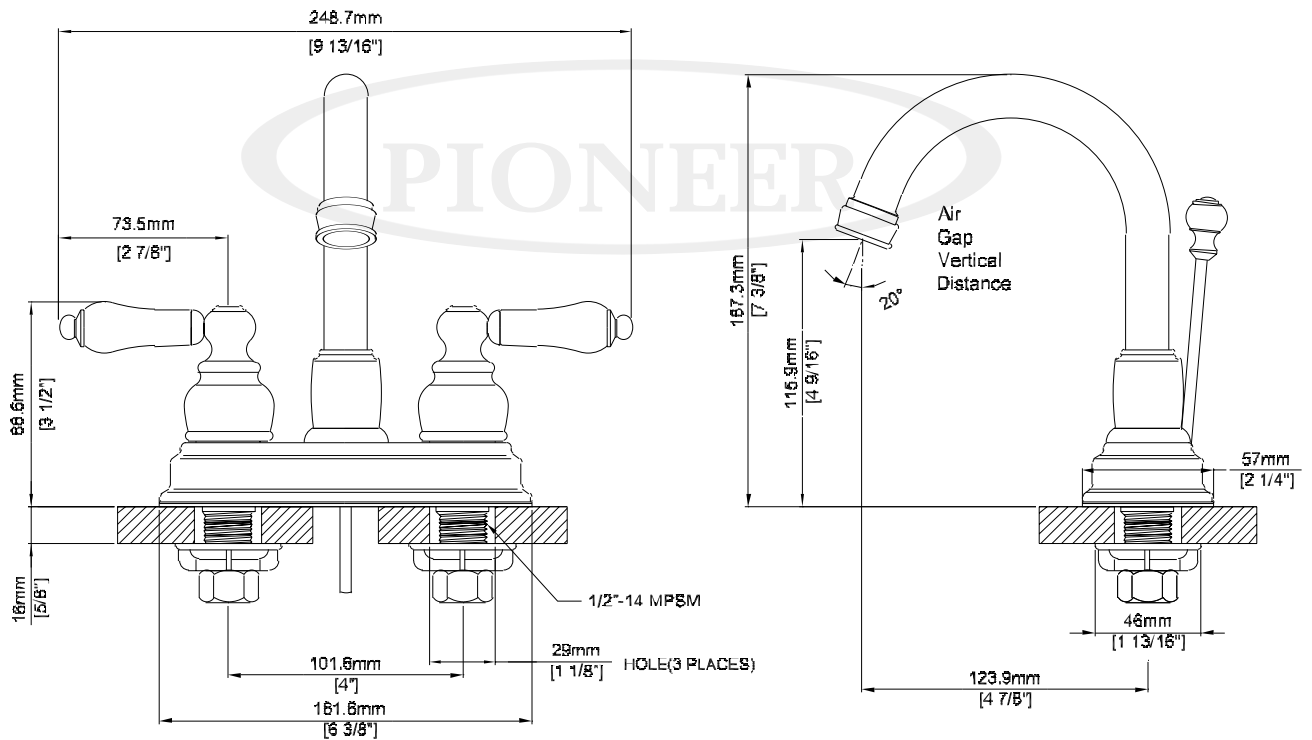
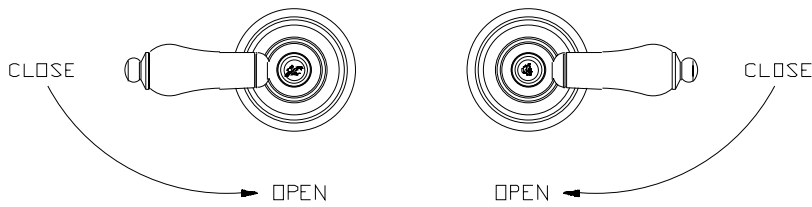
Pioneer: 1-800-338-9468
 Commerce, CA 90040
 www.pioneerind.com
 Pioneer Industries, Inc. © 2017

DMSP3BR300/REV. 11 2017
 Page 1 of 2

Installation Note:

Faucet Hole Size:- 1-1/2"

Maximum Deck Thickness:- 1" (Shank Extension available which extends shank by 1/2")



Product Diagram



ENGINEERING EXCELLENCE

Pioneer:1-800-338-9468

Commerce, CA 90040

www.pioneerind.com

Pioneer Industries, Inc. © 2017