



ENGINEERING EXCELLENCE

Americana Series #3AM400

PARTS BREAKDOWN SHEET

DESCRIPTION

- Two Handle Lavatory Wide-spread Faucet
- Metal Lever Handles
- Rigid Spout
- 6-11/16" Reach, 5" from Deck to Aerator
- Ceramic Disc Cartridges
- 3-Hole 6" to 16" Installation
- Brass Pop-Up Drain Assembly

FINISHES

- PC Polished Chrome
- BN PVD Brushed Nickel
- SS PVD Stainless Steel
- ORB Oil Rubbed Bronze
- MZ Moroccan Bronze



#3AM400 SHOWN * ADA 

FLOW

- Aerator Limited to 1.5 GPM

STANDARDS APPLICABLE

- ASME A112.18.1
- ANSI A117.1
- ANSI / NSF 61, SECTION 9
- CUPC / IAPMO LISTED / ADA COMPLIANT / Cal Green Compliant
- CONTAINS NO MORE THAN 0.25% WEIGHTED AVERAGE LEAD CONTENT



Model #: _____

Specific Features: _____

Project Name: _____

Submitted For: _____

Model	Description	Finishes	
#3AM400	Two Handle Lavatory Widespread Faucet	<input type="checkbox"/> PC	<input type="checkbox"/> Other _____

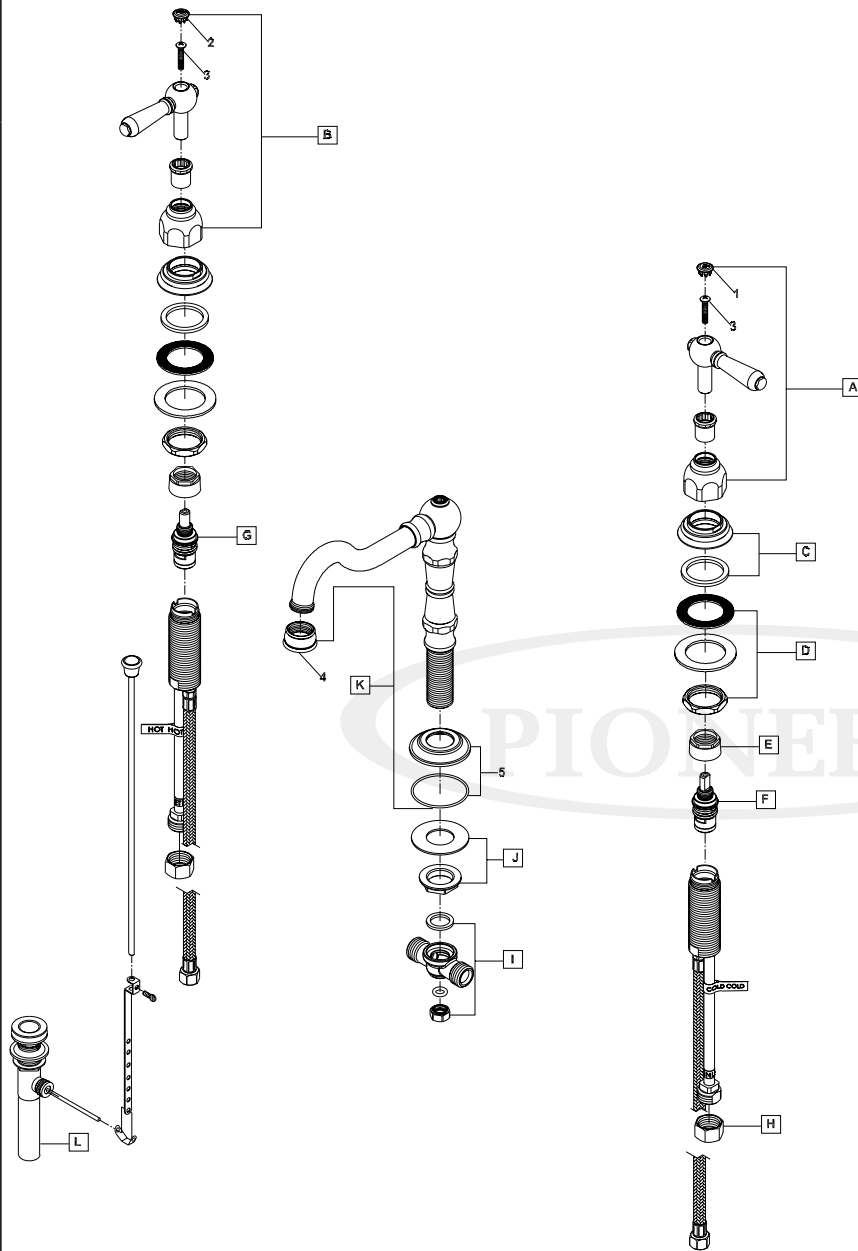


ENGINEERING EXCELLENCE

Pioneer: 1-800-338-9468
 Commerce, CA 90040
 www.pioneerind.com
 Pioneer Industries, Inc. © 2016

DMPB3AM400/REV. 08 2016

Page 1 of 2



	ITEM#	DESCRIPTION
A	X-1900007C*	Lever Handles-Cold
B	X-1900007H*	Lever Handles-Hot
C	X-4900034*	Valve Escutcheon
D	X-5900001	Valve Mounting Kit
E	X-4900022	Bonnet Nut
F	X-3900004C	Ceramic Cartridge-Cold
G	X-3900004H	Ceramic Cartridge-Hot
H	X-4900004	Supply Nut
I	X-4300015	Cross Connector
J	X-5300005	Spout Mounting Kit
K	X-2300003*	Americana Spout
L	X-6300020*	Brass Pop-Up
1	X-4900042C*	Button-Cold
2	X-4900042H*	Button-Hot
3	X-4900035	Handle Screw
4	X-4900091*	1.5 GPM Aerator
5	X-4900032*	Spout Escutcheon

* Note- Please specify finish/color code while ordering.

Product Diagram



ENGINEERING EXCELLENCE

Pioneer:1-800-338-9468
Commerce, CA 90040
www.pioneerind.com
Pioneer Industries, Inc. © 2016



PARTS BREAKDOWN SHEET ENGINEERING EXCELLENCE

Model Number: 3AM400

* Note- Please Specify finish\color code while ordering.

* Note - Parts C includes only on the product purchased after March 2019.

	ITEM #	DESCRIPTION
A	X-1900007C,H*	Lever Handle-C, H
B	X-4900034*	Valve Escutcheon and Gasket
C	OP-530006	Valve Mounting Kit
D	X-4900022	Bonnet Nut
E	X-3900004C,H	Ceramic Stem-Cold, Hot
F	X-4300099	Cross Connector
G	X-5300005	Spout Mounting Kit
H	X-2300003*	Spout
I	X-6300020*	Brass Pop-Up Drain Assembly
1	X-4900042C, H*	Button-C, H
2	X-4900035	Handle Screw
3	X-4900122*	1.2 GPM Aerator
4	X-4900032*	Spout Escutcheon and O-ring

