



# ENGINEERING EXCELLENCE

Motegi Series #2MT275

PARTS BREAKDOWN SHEET

### DESCRIPTION

- Single Handle Pull Down Kitchen Faucet
- Metal Lever Handle
- Pull-Down Head with 2 Spray Patterns Swivel 360°
- 9" Reach, 7" from Deck to Aerator
- Ceramic Disc Cartridge with Temperature Limit Stop
- 1 Hole Installation
- Optional 3-Hole Deck Plate Available
- Easy-Install 30" Flex Supply Lines With 3/8" Connections
- 19-3/4" Overall Height

### FINISHES

- PC Polished Chrome
- BN PVD Brushed Nickel



#2MT275 SHOWN \* ADA 

### FLOW

- Pull-Down Sprayhead Limited to 1.8 GPM

Model #: \_\_\_\_\_

Specific Features: \_\_\_\_\_

Project Name: \_\_\_\_\_

Submitted For: \_\_\_\_\_

### STANDARDS APPLICABLE

- ASME A112.18.1
- ANSI A117.1
- ANSI / NSF 61, SECTION 9
- ADA COMPLIANT
- CONTAINS NO MORE THAN 0.25% WEIGHTED AVERAGE LEAD CONTENT

**Note:-There is more than 1 version of this model. Page down to identify the version you have.**

Model	Description	Finishes
#2MT275	Single Handle Pull Down Kitchen Faucet	<input type="checkbox"/> PC <input type="checkbox"/> Other____



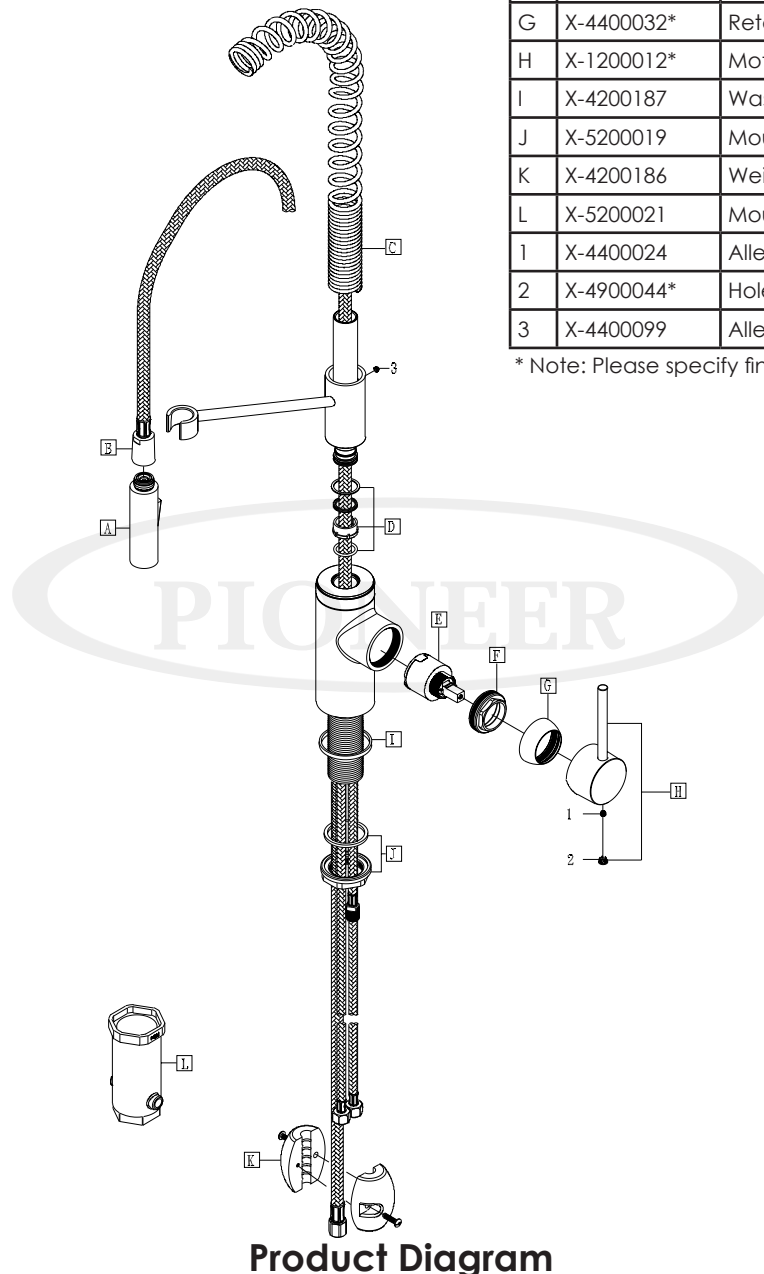
ENGINEERING EXCELLENCE

Pioneer:1-800-338-9468  
Commerce, CA 90040  
www.pioneerind.com  
Pioneer Industries, Inc. © 2016

DMPB2MT275/REV. 08 2016  
Page 1 of 3

	ITEM#	DESCRIPTION
A	X-4200181*	1.8 GPM Pull-Down Spray Head
B	X-4200189*	Spray Head Flex Hose
C	X-4200188*	Spray Head Spring
D	X-4200190	O-Ring Assembly
E	X-3200001	Ceramic Disc Cartridge
F	X-4200035	Retainer Nut
G	X-4400032*	Retainer Sleeve
H	X-1200012*	Motegi Series Handle
I	X-4200187	Washer
J	X-5200019	Mounting Kit
K	X-4200186	Weight
L	X-5200021	Mounting Tool
1	X-4400024	Allen Screw
2	X-4900044*	Hole Cover
3	X-4400099	Allen Screw

\* Note: Please specify finish/color code when ordering.

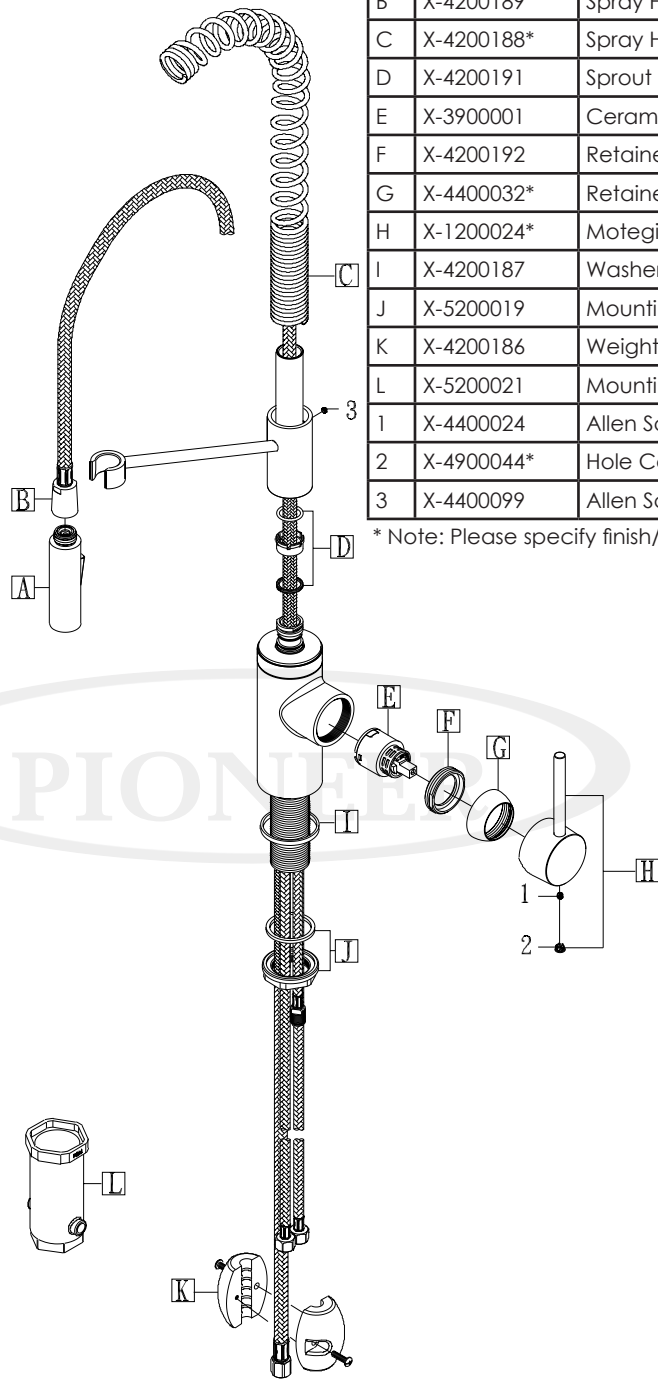


Product Diagram



ENGINEERING EXCELLENCE

Pioneer: 1-800-338-9468  
 Commerce, CA 90040  
 www.pioneerind.com  
 Pioneer Industries, Inc. © 2016



	ITEM#	DESCRIPTION
A	X-4200181*	1.8 GPM Pull-Down Spray Head
B	X-4200189	Spray Head Flex Hose
C	X-4200188*	Spray Head Spring
D	X-4200191	Sprout Repair Kit
E	X-3900001	Ceramic Disc Cartridge
F	X-4200192	Retainer Nut
G	X-4400032*	Retainer Sleeve
H	X-1200024*	Motegi Series Handle
I	X-4200187	Washer
J	X-5200019	Mounting Kit
K	X-4200186	Weight
L	X-5200021	Mounting Tool
1	X-4400024	Allen Screw
2	X-4900044*	Hole Cover
3	X-4400099	Allen Screw

\* Note: Please specify finish/color code when ordering.

Product Diagram



ENGINEERING EXCELLENCE

Pioneer: 1-800-338-9468  
 Commerce, CA 90040  
 www.pioneerind.com  
 Pioneer Industries, Inc. © 2016