



ENGINEERING EXCELLENCE

Motegi Series #2MT270

PARTS BREAKDOWN SHEET

DESCRIPTION

- Single Handle Pull Down Kitchen Faucet
- Metal Lever Handle
- Pull-Down Head with 2 Spray Patterns Swivel 360°
- 9" Reach, 7" from Deck to Aerator
- Ceramic Disc Cartridge with Temperature Limit Stop
- 1 Hole Installation
- Optional 3-Hole 8" Deck Plate Available
- Easy-Install 30" Flex Supply Lines With 3/8" Connections
- 22-3/4" Overall Height

FINISHES

- PC Polished Chrome
- BN PVD Brushed Nickel



#2MT270 SHOWN * ADA 

FLOW

- Pull-Down Sprayhead Limited to 1.8 GPM

Model #: _____

Specific Features: _____

Project Name: _____

Submitted For: _____

STANDARDS APPLICABLE

- ASME A112.18.1
- ANSI A117.1
- ANSI / NSF 61, SECTION 9
- ADA COMPLIANT
- CONTAINS NO MORE THAN 0.25% WEIGHTED AVERAGE LEAD CONTENT

Note:-There is more than 1 version of this model. Page down to identify the version you have.

Model	Description	Finishes	
#2MT270	Single Handle Pull Down Kitchen Faucet	<input type="checkbox"/> PC	<input type="checkbox"/> Other____



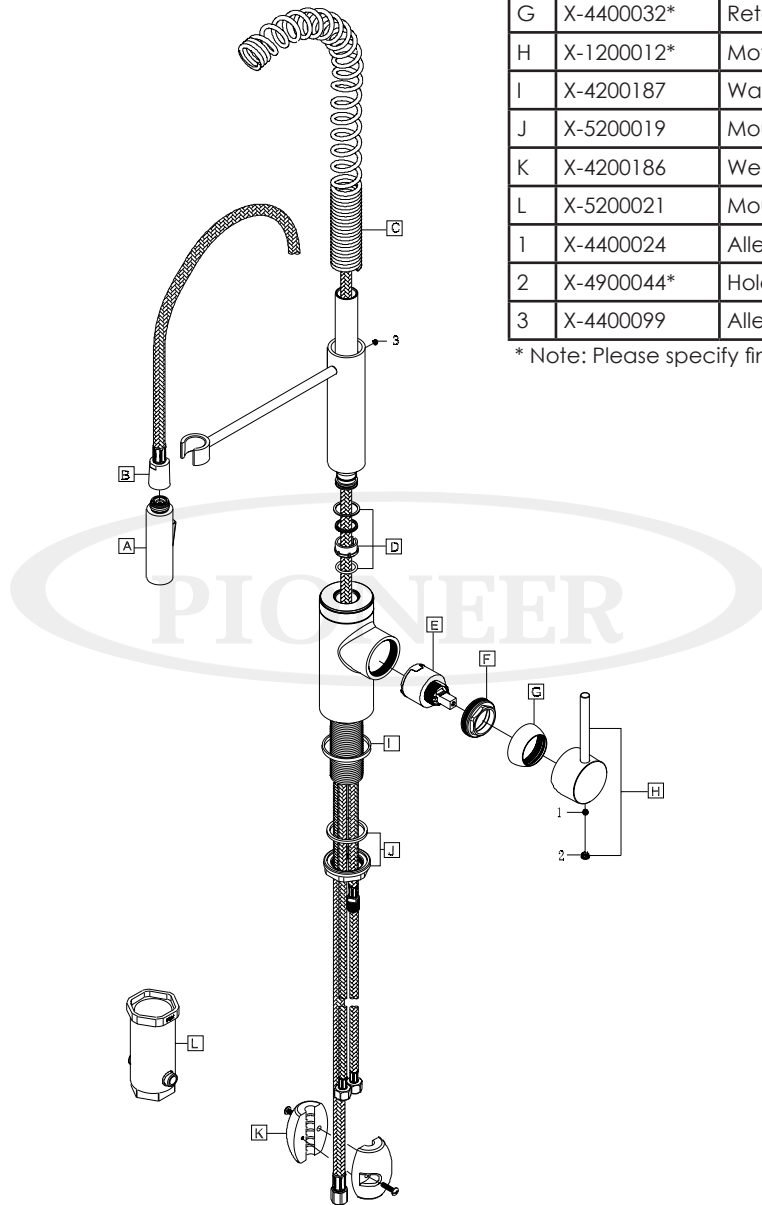
ENGINEERING EXCELLENCE

Pioneer:1-800-338-9468
Commerce, CA 90040
www.pioneerind.com
Pioneer Industries, Inc. © 2018

DMPB2MT270/REV. 09 2016
Page 1 of 4

	ITEM#	DESCRIPTION
A	X-4200181*	1.8 GPM Pull-Down Spray Head
B	X-4200189*	Spray Head Flex Hose
C	X-4200188*	Spray Head Spring
D	X-4200190	Sprout Repair Kit
E	X-3200001	Ceramic Disc Cartridge
F	X-4200035	Retainer Nut
G	X-4400032*	Retainer Sleeve
H	X-1200012*	Motegi Series Handle
I	X-4200187	Washer
J	X-5200019	Mounting Kit
K	X-4200186	Weight
L	X-5200021	Mounting Tool
1	X-4400024	Allen Screw
2	X-4900044*	Hole Cover
3	X-4400099	Allen Screw

* Note: Please specify finish/color code when ordering.

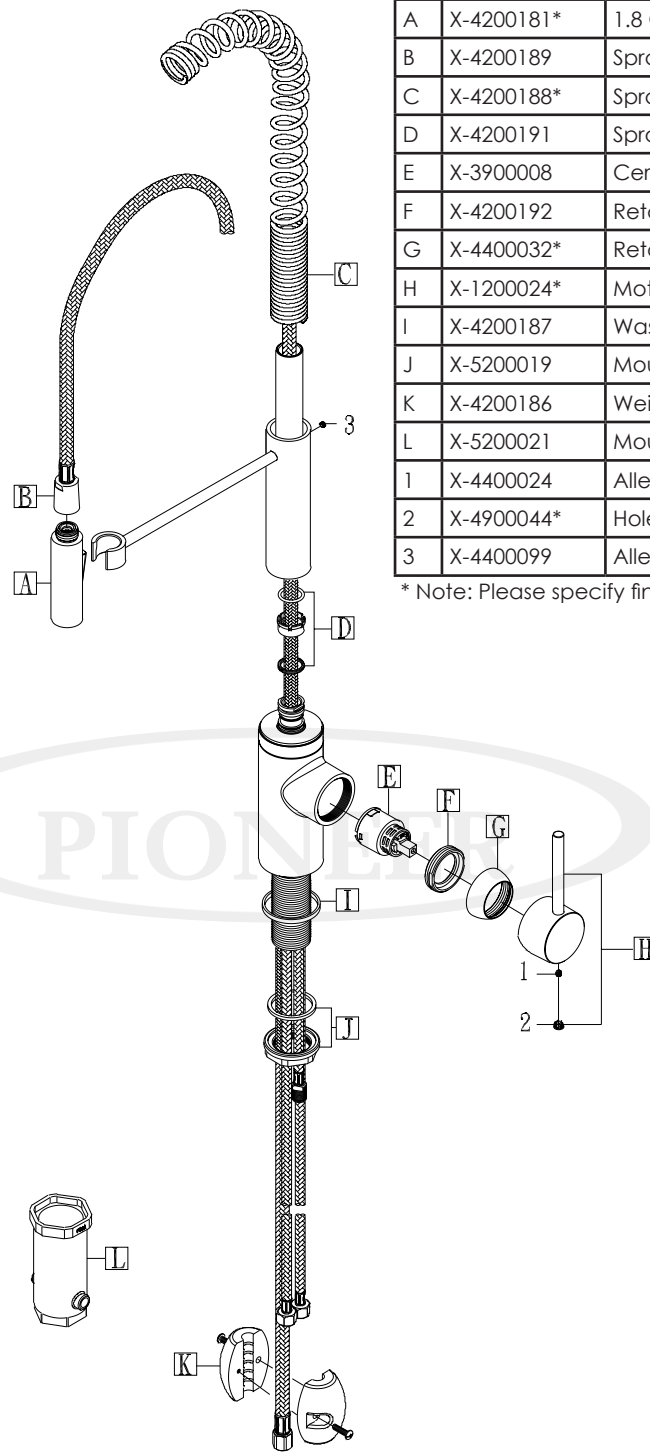


Product Diagram



ENGINEERING EXCELLENCE

Pioneer: 1-800-338-9468
 Commerce, CA 90040
 www.pioneerind.com
 Pioneer Industries, Inc. © 2018



	ITEM#	DESCRIPTION
A	X-4200181*	1.8 GPM Pull-Down Spray Head
B	X-4200189	Spray Head Flex Hose
C	X-4200188*	Spray Head Spring
D	X-4200191	Sprout Repair Kit
E	X-3900008	Ceramic Disc Cartridge
F	X-4200192	Retainer Nut
G	X-4400032*	Retainer Sleeve
H	X-1200024*	Motegi Series Handle
I	X-4200187	Washer
J	X-5200019	Mounting Kit
K	X-4200186	Weight
L	X-5200021	Mounting Tool
1	X-4400024	Allen Screw
2	X-4900044*	Hole Cover
3	X-4400099	Allen Screw

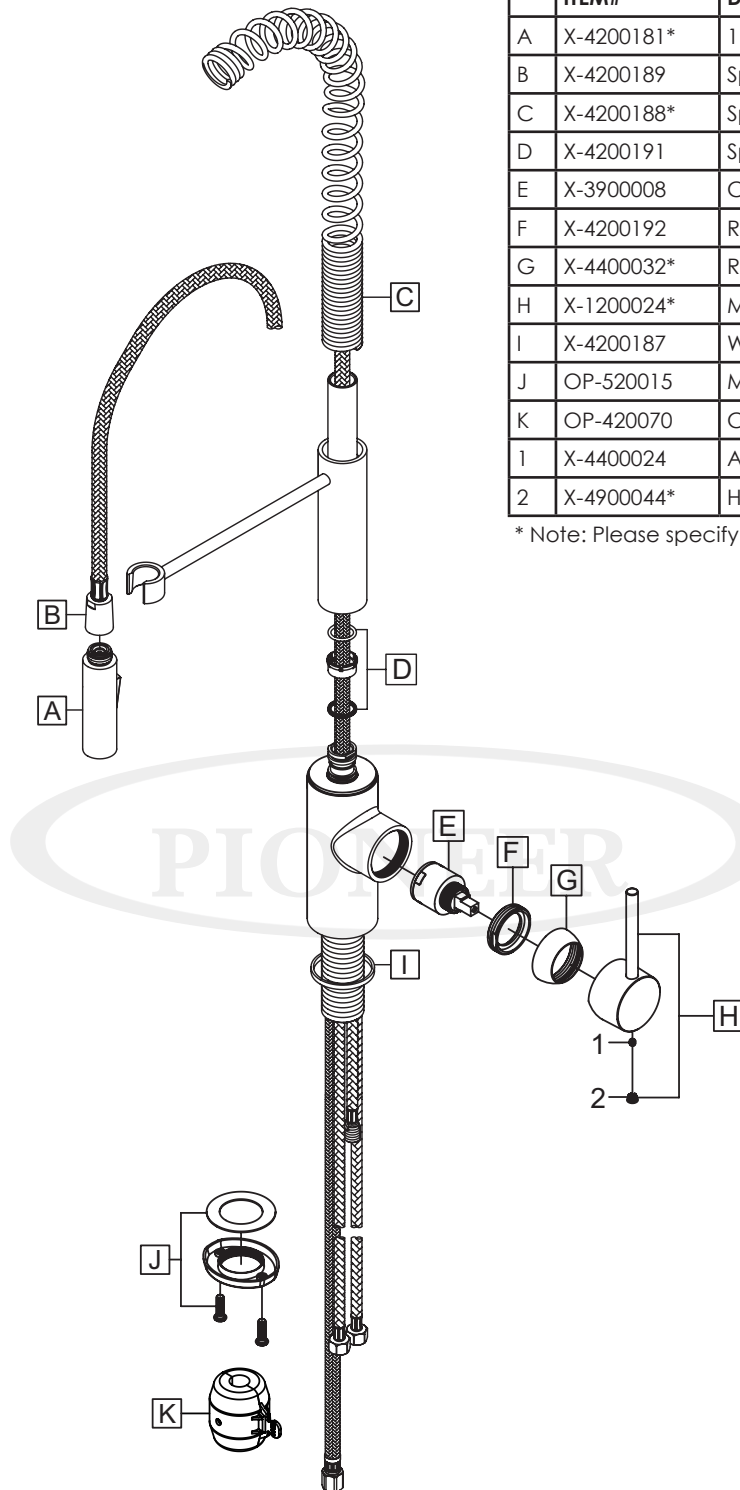
* Note: Please specify finish/color code when ordering.

Product Diagram



ENGINEERING EXCELLENCE

Pioneer: 1-800-338-9468
 Commerce, CA 90040
 www.pioneerind.com
 Pioneer Industries, Inc. © 2018



	ITEM#	DESCRIPTION
A	X-4200181*	1.8 GPM Pull-Down Spray Head
B	X-4200189	Spray Head Flex Hose
C	X-4200188*	Spray Head Spring
D	X-4200191	Sprout Repair Kit
E	X-3900008	Ceramic Disc Cartridge
F	X-4200192	Retainer Nut
G	X-4400032*	Retainer Sleeve
H	X-1200024*	Motegi Series Handle
I	X-4200187	Washer
J	OP-520015	Mounting Kit with Screws
K	OP-420070	Click Weight
1	X-4400024	Allen Screw
2	X-4900044*	Hole Cover

* Note: Please specify finish/color code when ordering.

Product Diagram



ENGINEERING EXCELLENCE

Pioneer: 1-800-338-9468
 Commerce, CA 90040
 www.pioneerind.com
 Pioneer Industries, Inc. © 2018



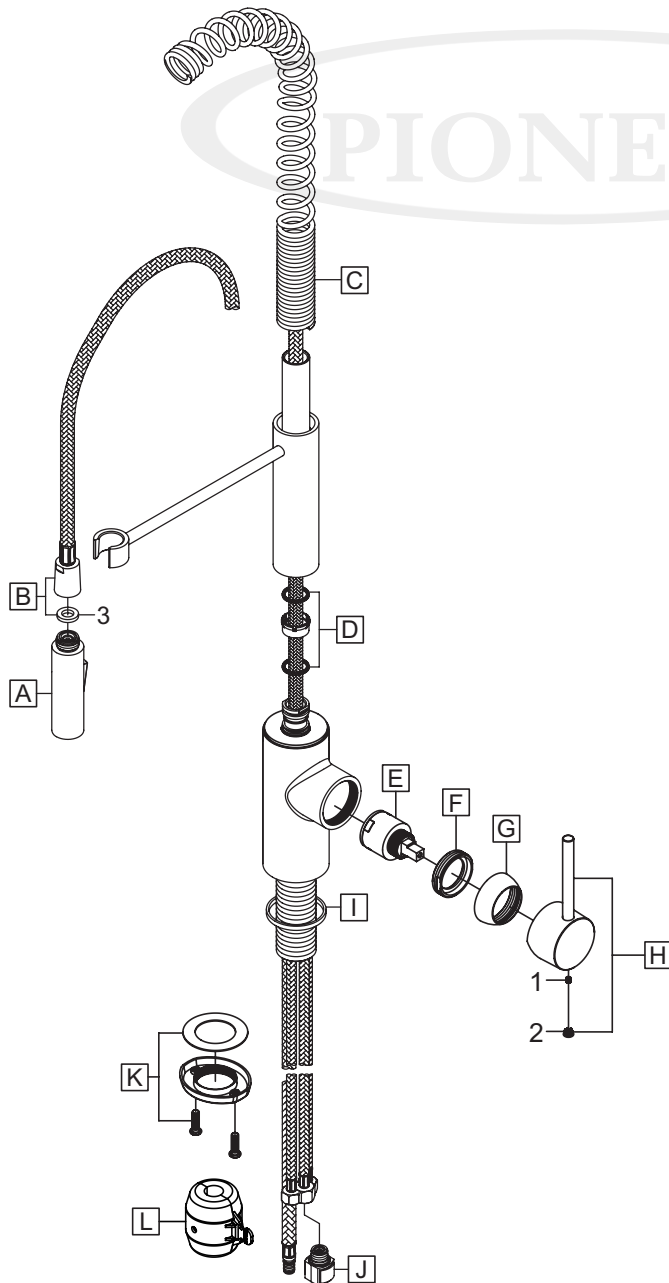
PARTS BREAKDOWN SHEET ENGINEERING EXCELLENCE

Model Number: 2MT270

* Note- Please Specify finish\color code while ordering.

* Note - Parts J includes only on the product purchased after March 2019.

	ITEM #	DESCRIPTION
A	X-4200181*	1.8 GPM Spray Head
B	X-4200198*	Spray Hose
C	X-4200188*	Spring
D	X-4200191	Spout Repair Kit
E	X-3900008	Ceramic Disc Cartridge
F	X-4200192	Retainer Nut
G	X-4400032*	Cap
H	X-1200024*	Lever Handle
I	X-4200187	Washer
J	X-4200199	Quick Connect
K	OP-520015	Lockunt with Screws
L	OP-420070	Weight
1	X-4400024	Allen Screw
2	X-4900044*	Hole Cover
3	OP-420075	Washer





PARTS BREAKDOWN SHEET ENGINEERING EXCELLENCE

Model Number: 2MT270, 2MT275

* Note- Please Specify finish\color code while ordering.

* Note- 1.8 GPM Spray Head replaced by 1.5 GPM Spray Head for product purchase after March 2020.

	ITEM #	DESCRIPTION
A	X-4200194*	1.5 GPM Spray Head
B	X-4200198*	Spray Hose
C	X-4200188*	Spring
D	X-4200191	Spout Repair Kit
E	X-3900008	Ceramic Disc Cartridge
F	X-4200192	Retainer Nut
G	X-4400032*	Cap
H	X-1200024*	Lever Handle
I	X-4200187	Gasket
J	X-4200199	Quick Connect
K	OP-520015	Lockunt with Screws
L	OP-420070	Weight
1	X-4400024	Allen Screw
2	X-4900044*	Hole Cover
3	OP-420075	Washer

