



ENGINEERING EXCELLENCE

Motegi Series #2MT260 PARTS BREAKDOWN SHEET

DESCRIPTION

- Single Handle Pull-Down Kitchen Faucet
- Metal Lever Handle
- Pull-Down Head with 2 Spray Patterns Swivel 360°
- 8-9/16" Reach, 9-11/16" from Deck to Aerator
- Ceramic Disc Cartridge with Temperature Limit Stop
- 1 or 3 Hole 8" Installation
- Ball Joint Swivel Spray Head Easy-Install 30" Flex Supply Lines With 3/8" Connections

FINISHES

- PC Polished Chrome
- BN PVD Brushed Nickel
- MB Matte Black

FLOW

- Pull-Down Spray Head Limited to 1.8 GPM



#2MT260 SHOWN * ADA 

STANDARDS APPLICABLE

- ASME A112.18.1
- ANSI A117.1
- ANSI / NSF 61, SECTION 9
- CUPC / IAPMO LISTED / ADA COMPLIANT / Cal Green Compliant
- CONTAINS NO MORE THAN 0.25% WEIGHTED AVERAGE LEAD CONTENT

Note:-There is more than 1 version of this model. Page down to identify the version you have.

Model #: _____

Specific Features: _____

Project Name: _____

Submitted For: _____

Model	Description	Finishes	
#2MT260	Single Handle Pull-Down Kitchen Faucet	<input type="checkbox"/> PC	<input type="checkbox"/> Other___
#2MT261	Single Handle Pull-Down Kitchen Faucet - 1 Hole Installation	<input type="checkbox"/> PC	<input type="checkbox"/> Other___

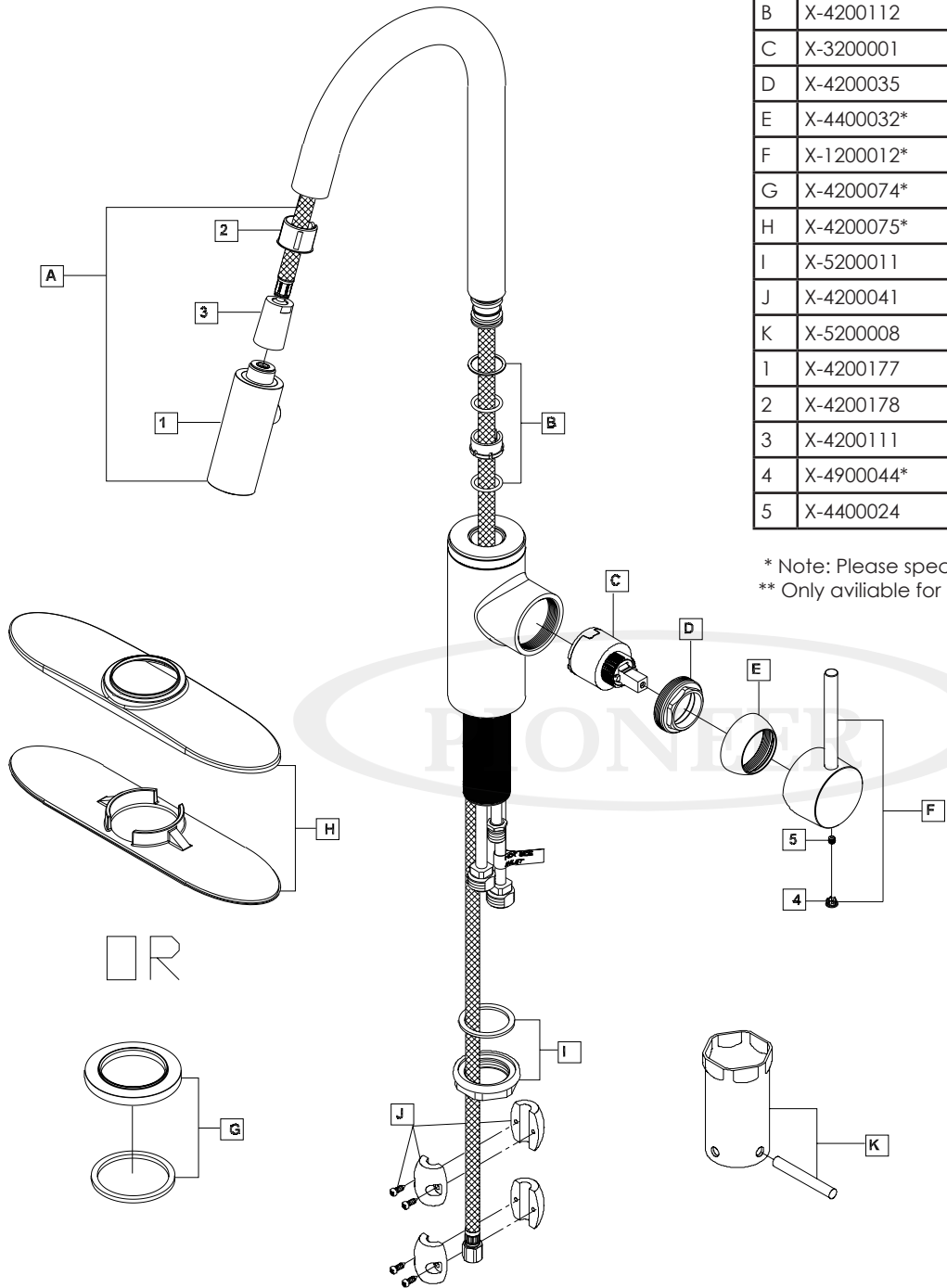


ENGINEERING EXCELLENCE

Pioneer:1-800-338-9468
Commerce, CA 90040
www.pioneerind.com
Pioneer Industries, Inc. © 2018

DMPB2MT260/REV. 08 2016
Page 1 of 5

	ITEM#	DESCRIPTION
A	X-4200072*	Pull-Down Spray Head & Spray Hose
B	X-4200112	O-Ring Assembly
C	X-3200001	Ceramic Cartridge
D	X-4200035	Retainer Nut
E	X-4400032*	Retainer Sleeve
F	X-1200012*	Motegi Series Handle
G	X-4200074*	Escutcheon
H	X-4200075*	Deck Plate**
I	X-5200011	Mounting Kit
J	X-4200041	Weight
K	X-5200008	Tool
1	X-4200177	Spray Head
2	X-4200178	Hose Support
3	X-4200111	Spray Head Flex Hose
4	X-4900044*	Hole Cover
5	X-4400024	Allen Screw



* Note: Please specify finish/color code when ordering.
 ** Only available for #2MT260

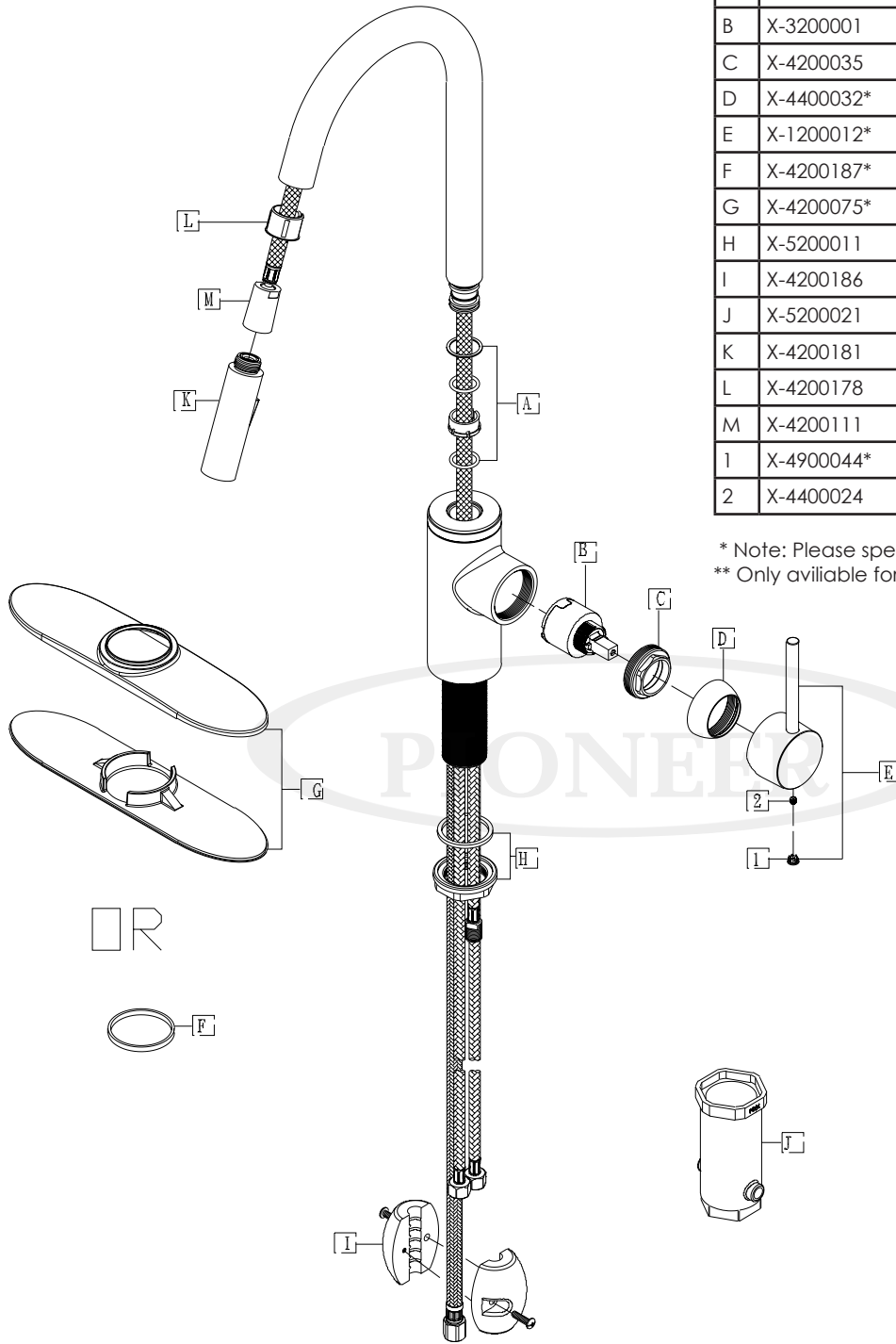
Product Diagram



ENGINEERING EXCELLENCE

Pioneer: 1-800-338-9468
 Commerce, CA 90040
 www.pioneerind.com
 Pioneer Industries, Inc. © 2018

	ITEM#	DESCRIPTION
A	X-4200112	Spout O-ring
B	X-3200001	Ceramic Cartridge
C	X-4200035	Retainer Nut
D	X-4400032*	Retainer Sleeve
E	X-1200012*	Motegi Series Handle
F	X-4200187*	Washer
G	X-4200075*	Deck Plate**
H	X-5200011	Mounting Kit
I	X-4200186	Weight
J	X-5200021	Tool
K	X-4200181	Spray Head
L	X-4200178	Hose Support
M	X-4200111	Spray Head Flex Hose
1	X-4900044*	Hole Cover
2	X-4400024	Allen Screw



* Note: Please specify finish/color code when ordering.
 ** Only available for #2MT260

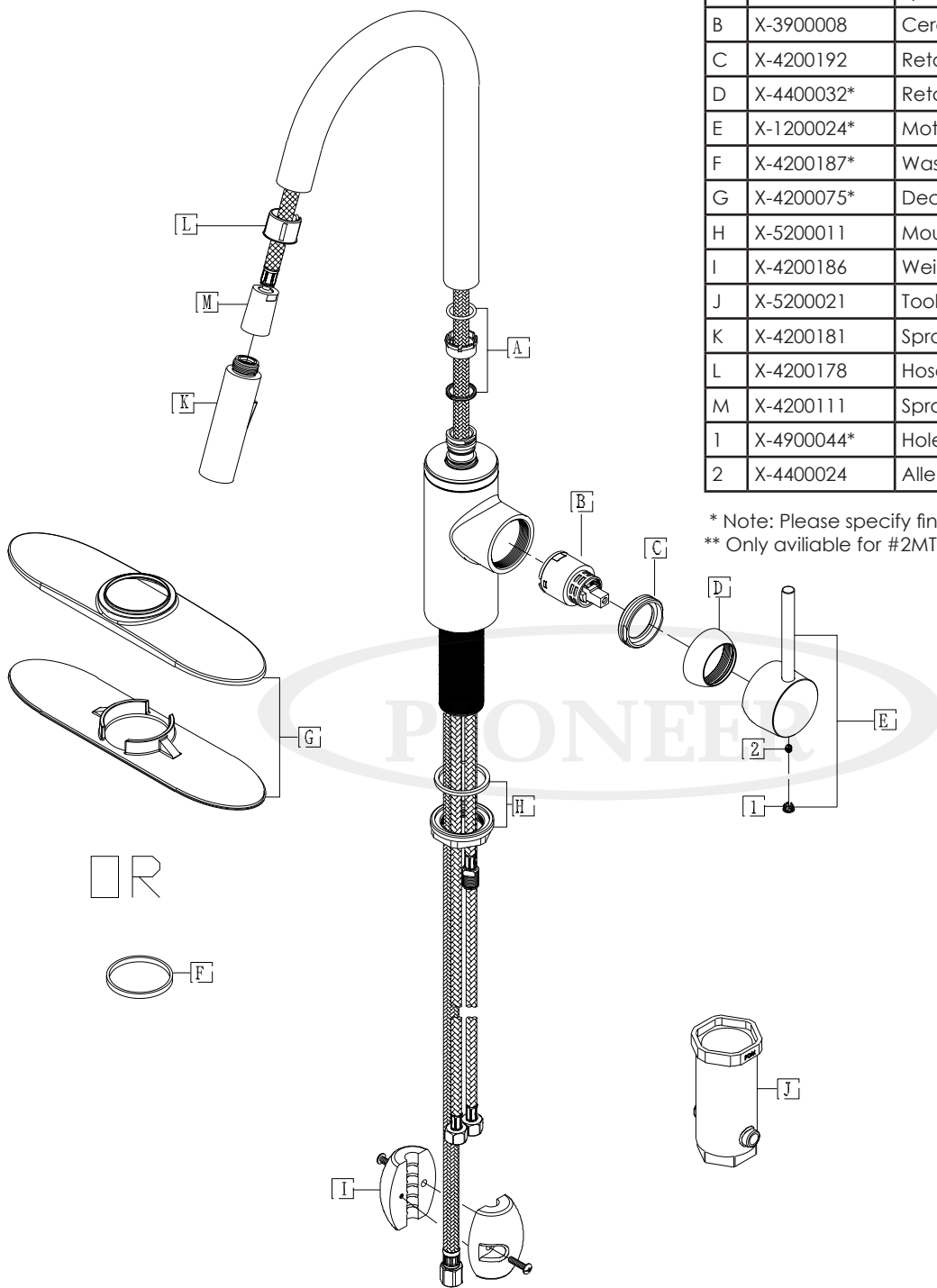
Product Diagram



ENGINEERING EXCELLENCE

Pioneer: 1-800-338-9468
 Commerce, CA 90040
 www.pioneerind.com
 Pioneer Industries, Inc. © 2018

	ITEM#	DESCRIPTION
A	X-4200191	Spout Repair Kit
B	X-3900008	Ceramic Cartridge
C	X-4200192	Retainer Nut
D	X-4400032*	Retainer Sleeve
E	X-1200024*	Motegi Series Handle
F	X-4200187*	Washer
G	X-4200075*	Deck Plate**
H	X-5200011	Mounting Kit
I	X-4200186	Weight
J	X-5200021	Tool
K	X-4200181	Spray Head
L	X-4200178	Hose Support
M	X-4200111	Spray Head Flex Hose
1	X-4900044*	Hole Cover
2	X-4400024	Allen Screw



* Note: Please specify finish/color code when ordering.
 ** Only available for #2MT260

Product Diagram

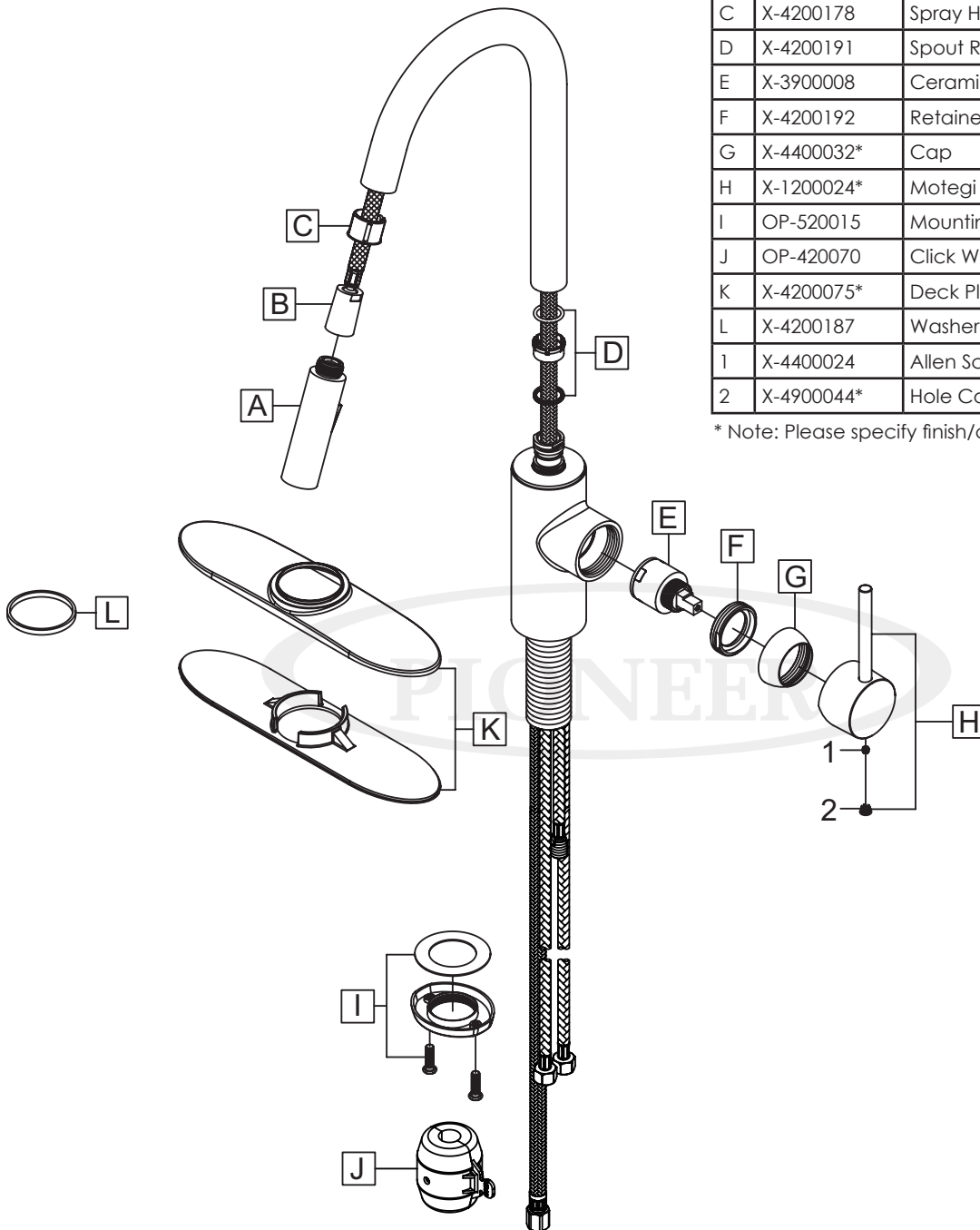


ENGINEERING EXCELLENCE

Pioneer: 1-800-338-9468
 Commerce, CA 90040
 www.pioneerind.com
 Pioneer Industries, Inc. © 2018

	ITEM#	DESCRIPTION
A	X-4200181*	1.8 GPM Pull-Down Spray Head
B	X-4200111	Spray Hose
C	X-4200178	Spray Head Support
D	X-4200191	Spout Repair Kit
E	X-3900008	Ceramic Disc Cartridge
F	X-4200192	Retainer Nut
G	X-4400032*	Cap
H	X-1200024*	Motegi Lever Handle
I	OP-520015	Mounting Kit with Screws
J	OP-420070	Click Weight
K	X-4200075*	Deck Plate
L	X-4200187	Washer
1	X-4400024	Allen Screw
2	X-4900044*	Hole Cover

* Note: Please specify finish/color code when ordering.



Product Diagram



ENGINEERING EXCELLENCE

Pioneer: 1-800-338-9468
 Commerce, CA 90040
 www.pioneerind.com
 Pioneer Industries, Inc. © 2018



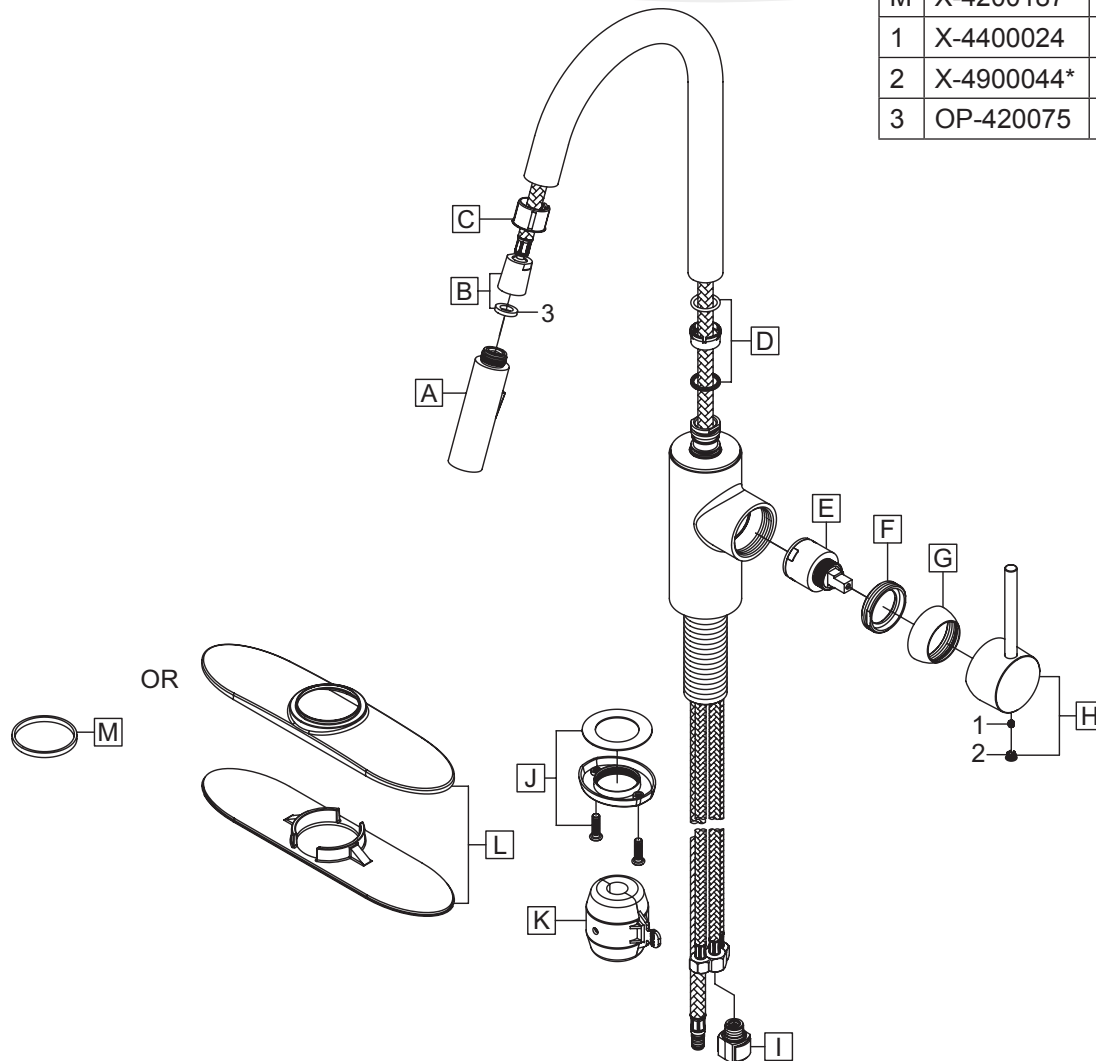
PARTS BREAKDOWN SHEET ENGINEERING EXCELLENCE

Model Number: 2MT260

* Note- Please Specify finish/color code while ordering.

* Note - Parts I includes only on the product purchased after March 2019.

	ITEM #	DESCRIPTION
A	X-4200181*	1.8 GPM Spray Head
	X-4200194*	1.5 GPM Spray Head
B	X-4200197	Spray Hose
C	X-4200178	Spray Head Support
D	X-4200191	Spout Repair Kit
E	X-3900008	Ceramic Disc Cartridge
F	X-4200192	Retainer Nut
G	X-4400032*	Cap
H	X-1200024*	Lever Handle
I	X-4200199	Quick Connect
J	OP-520015	Locknut with Screws
K	OP-420070	Weight
L	X-4200075*	Deck Plate & Base Gasket
M	X-4200187	Washer
1	X-4400024	Allen Screw
2	X-4900044*	Hole Cover
3	OP-420075	Washer





PARTS BREAKDOWN SHEET ENGINEERING EXCELLENCE

Model Number: 2MT260

* Note- Please Specify finish\color code while ordering.

* Note- 1.8 GPM Spray Head replaced by 1.5 GPM Spray Head for product purchase after March 2020.

	ITEM #	DESCRIPTION
A	X-4200194*	1.5 GPM Spray Head
B	X-4200197	Spray Hose
C	X-4200178	Spray Head Support
D	X-4200190	Spout Repair Kit
E	X-3900008	Ceramic Disc Cartridge
F	X-4200192	Retainer Nut
G	X-4400032*	Cap
H	X-1200024*	Lever Handle
I	X-4200199	Quick Connect
J	OP-520015	Locknut with Screws
K	OP-420070	Weight
L	X-4200075*	Deck Plate & Base Gasket
M	X-4200187	Gasket
1	X-4400024	Allen Screw
2	X-4900044*	Hole Cover
3	OP-420075	Washer

