



ENGINEERING EXCELLENCE

Motegi Series #2MT250

PARTS BREAKDOWN SHEET

DESCRIPTION

- Single Handle Pull-Down Kitchen Faucet
- Metal Lever Handle
- Pull-Down Head with 2 Spray Patterns Swivel 360°
- 8-9/16" Reach, 10-1/16" from Deck to Aerator
- Ceramic Disc Cartridge with Temperature Limit Stop
- 1 or 3 Hole 8" Installation
- Ball Joint Swivel Spray Head

FINISHES

- PC PVD Polished Chrome
- BN PVD Brushed Nickel
- SS PVD Stainless Steel
- PN PVD Polished Nickel
- PB PVD Polished Brass



#2MT250 SHOWN * ADA 

FLOW

- Pull-Down Spray Head Limited to 2.0 GPM

STANDARDS APPLICABLE

- ASME A112.18.1
- ANSI A117.1
- ANSI / NSF 61, SECTION 9
- CUPC / IAPMO LISTED / ADA COMPLIANT
- CONTAINS NO MORE THAN 0.25% WEIGHTED AVERAGE LEAD CONTENT

Model #: _____

Specific Features: _____

Project Name: _____

Submitted For: _____

Note:-There is more than 1 version of this model. Page down to identify the version you have.

Model	Description	Finishes	
#2MT250	Single Handle Pull-Down Kitchen Faucet	<input type="checkbox"/> PC	<input type="checkbox"/> Other__

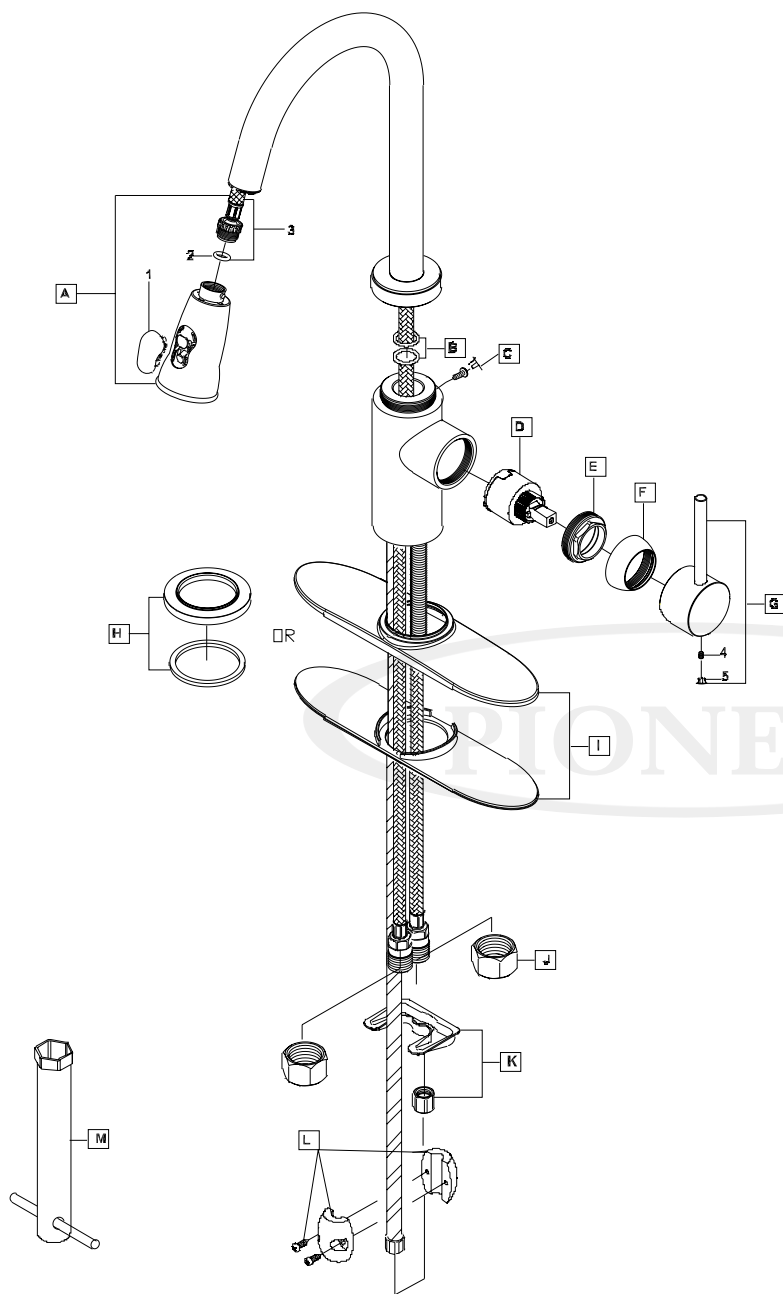


ENGINEERING EXCELLENCE

Pioneer:1-800-338-9468
Commerce, CA 90040
www.pioneerind.com
Pioneer Industries, Inc. © 2013

DMPB2MT250/REV. 02 2013
Page 1 of 5

	ITEM#	DESCRIPTION
A	X-4200072*	Pull-Down Spray Head & Spray Hose
B	X-4900071	Spout O-ring
C	X-4900060*	Hole Cover
D	X-3200001	Ceramic Cartridge
E	X-4200035	Retainer Nut
F	X-4400032*	Retainer Sleeve
G	X-1200012*	Motegi Series Handle
H	X-4200074*	Escutcheon
I	X-4200075*	Deck Plate
J	X-4900004	Supply Nut
K	X-5200011	Mounting Kit
L	X-4200041	Weight
M	X-5200008	Tool
1	X-4200170	Spray Head Button
2	X-4200171	O-Ring
3	X-4200073	Spray Hose
4	X-4900044*	Hole Cover
5	X-4400024	Allen Screw



* Note: Please specify finish/color code when ordering.

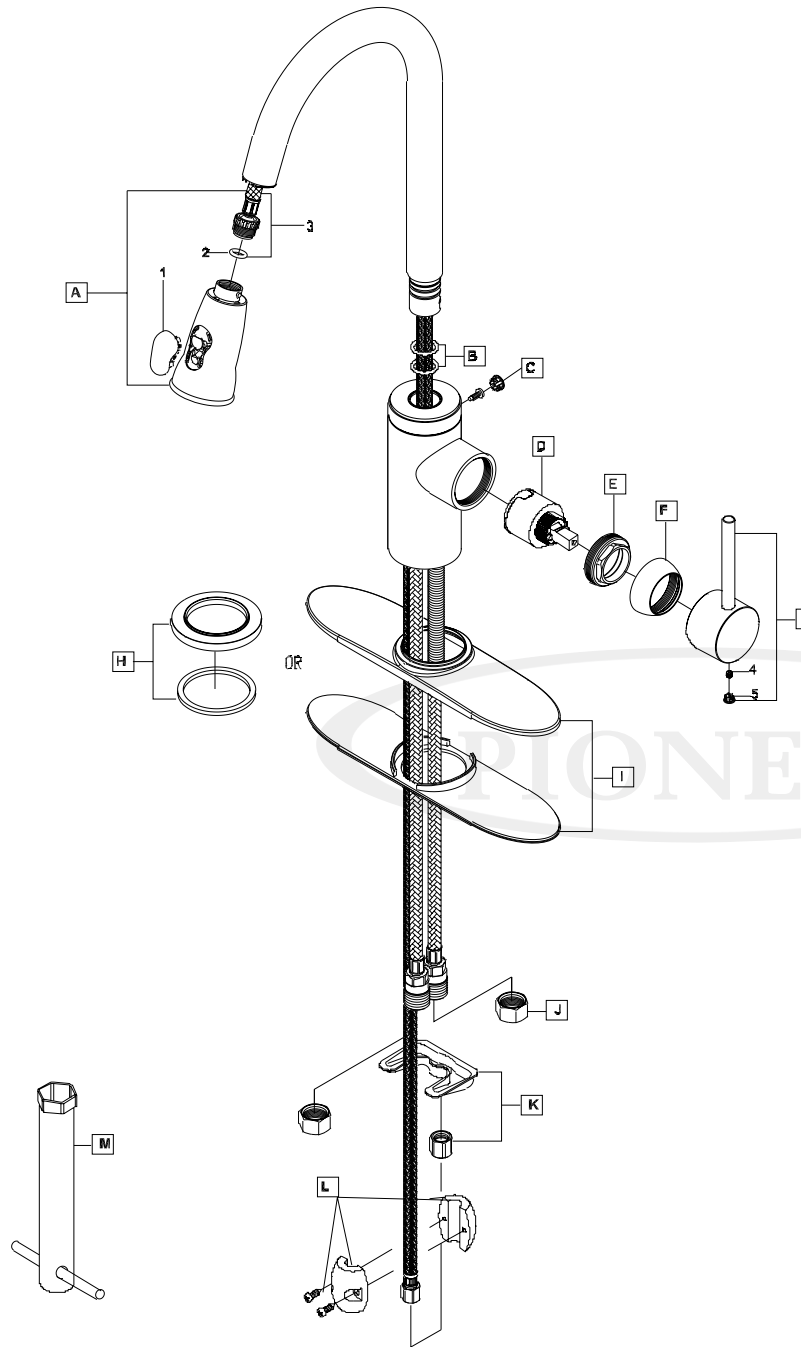
Product Diagram



ENGINEERING EXCELLENCE

Pioneer: 1-800-338-9468
 Commerce, CA 90040
 www.pioneerind.com
 Pioneer Industries, Inc. © 2013

	ITEM#	DESCRIPTION
A	X-4200072*	Pull-Down Spray Head & Spray Hose
B	X-4900071	Spout O-ring
C	X-4900060*	Hole Cover
D	X-3200001	Ceramic Cartridge
E	X-4200035	Retainer Nut
F	X-4400032*	Retainer Sleeve
G	X-1200012*	Motegi Series Handle
H	X-4200074*	Escutcheon
I	X-4200075*	Deck Plate
J	X-4900004	Supply Nut
K	X-5200011	Mounting Kit
L	X-4200041	Weight
M	X-5200008	Tool
1	X-4200170	Spray Head Button
2	X-4200171	O-Ring
3	X-4200073	Spray Hose
4	X-4900044*	Hole Cover
5	X-4400024	Allen Screw



* Note: Please specify finish/color code when ordering.

Product Diagram

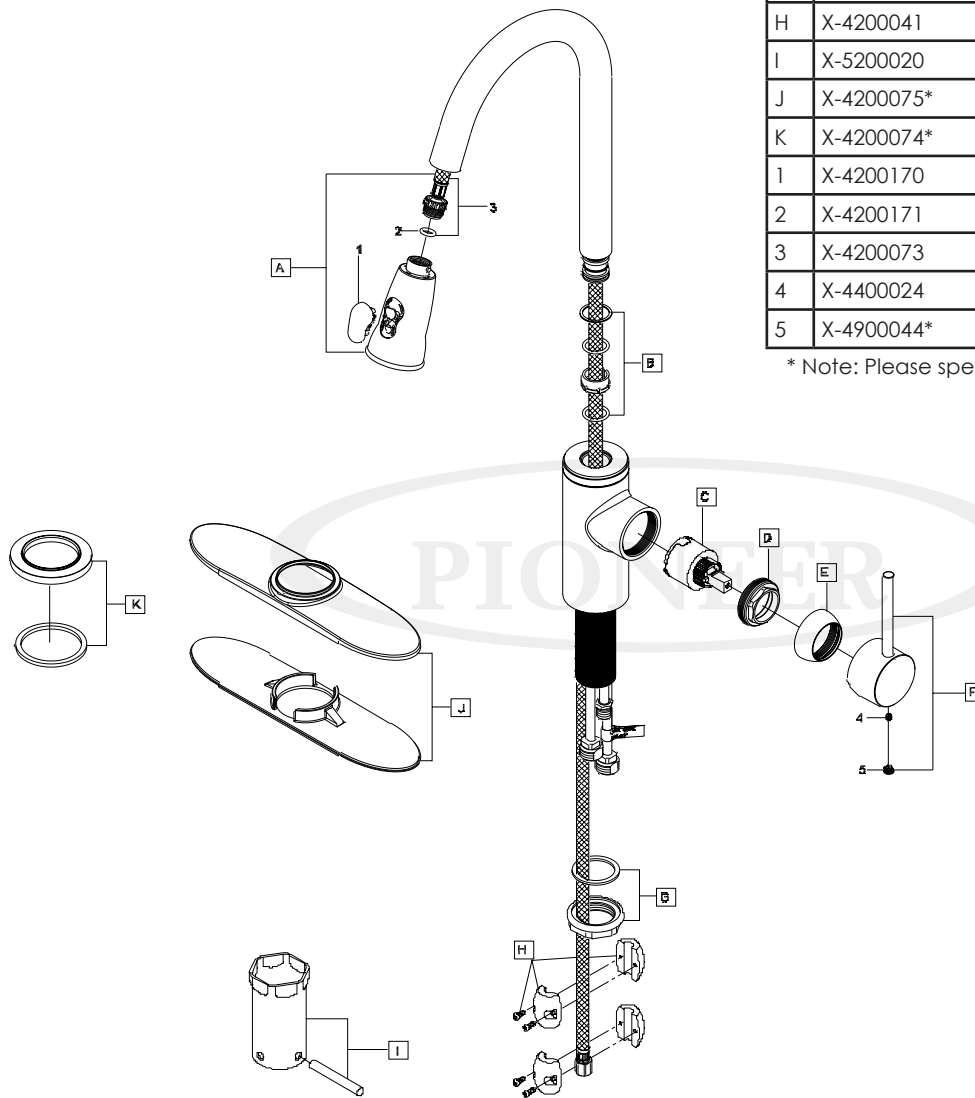


ENGINEERING EXCELLENCE

Pioneer: 1-800-338-9468
 Commerce, CA 90040
 www.pioneerind.com
 Pioneer Industries, Inc. © 2013

	ITEM#	DESCRIPTION
A	X-4200072*	Pull-Down Spray Head & Spray Hose
B	X-4200112	Spout Repair Kit
C	X-3200001	Ceramic Cartridge
D	X-4200035	Retainer Nut
E	X-4400032*	Retainer Sleeve
F	X-1200012*	Motegi Series Handle
G	X-5200019	Mounting Kit
H	X-4200041	Weight
I	X-5200020	Tool
J	X-4200075*	Deck Plate
K	X-4200074*	Escutcheon
1	X-4200170	Spray Head Button
2	X-4200171	O-Ring
3	X-4200073	Spray Hose
4	X-4400024	Allen Screw
5	X-4900044*	Hole Cover

* Note: Please specify finish/color code when ordering.



Product Diagram

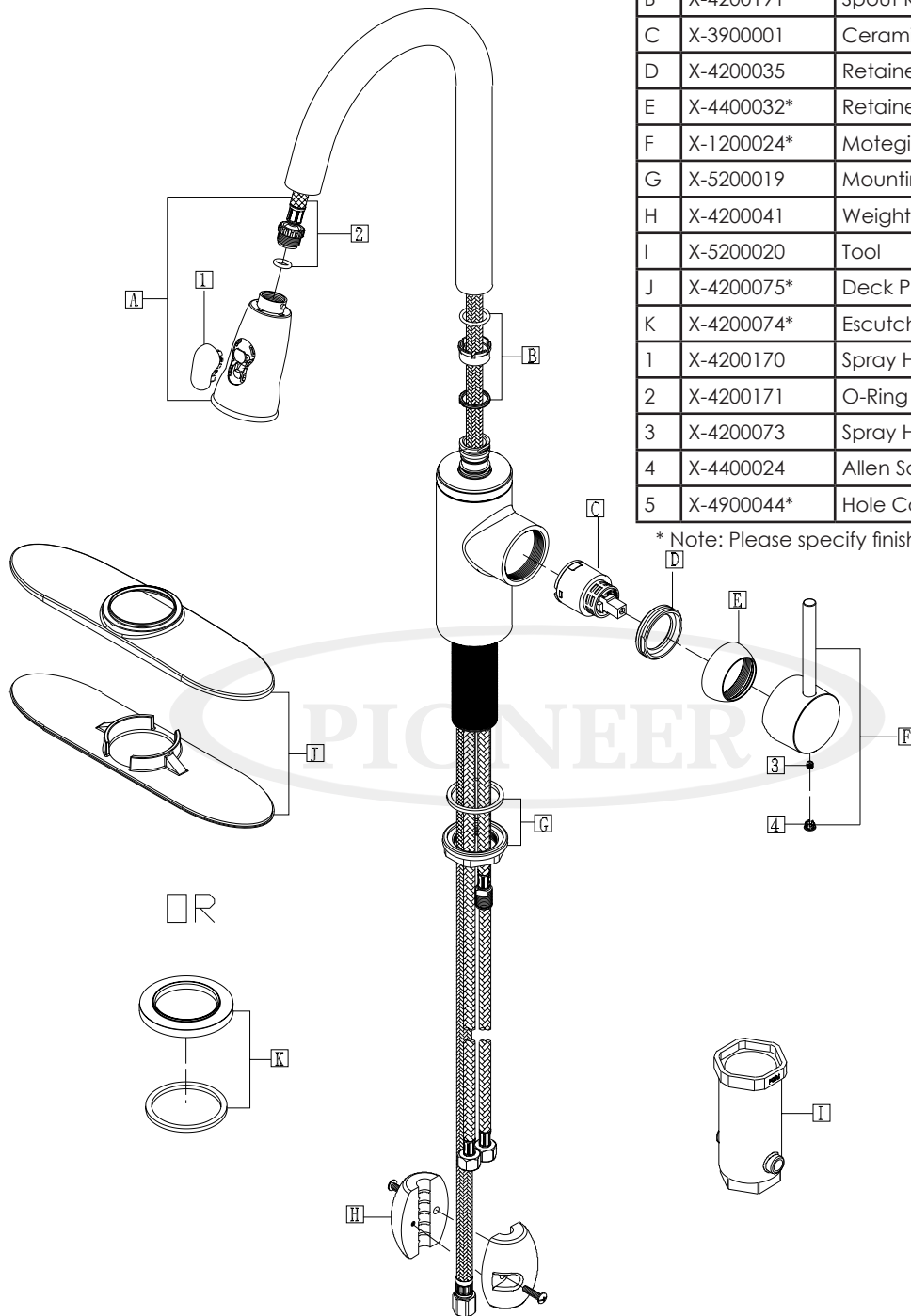


ENGINEERING EXCELLENCE

Pioneer: 1-800-338-9468
 Commerce, CA 90040
 www.pioneerind.com
 Pioneer Industries, Inc. © 2013

	ITEM#	DESCRIPTION
A	X-4200072*	Pull-Down Spray Head & Spray Hose
B	X-4200191	Spout Repair Kit
C	X-3900001	Ceramic Cartridge
D	X-4200035	Retainer Nut
E	X-4400032*	Retainer Sleeve
F	X-1200024*	Motegi Series Handle
G	X-5200019	Mounting Kit
H	X-4200041	Weight
I	X-5200020	Tool
J	X-4200075*	Deck Plate
K	X-4200074*	Escutcheon
1	X-4200170	Spray Head Button
2	X-4200171	O-Ring
3	X-4200073	Spray Hose
4	X-4400024	Allen Screw
5	X-4900044*	Hole Cover

* Note: Please specify finish/color code when ordering.



Product Diagram



ENGINEERING EXCELLENCE

Pioneer: 1-800-338-9468
 Commerce, CA 90040
 www.pioneerind.com
 Pioneer Industries, Inc. © 2016