



# INSTALLATION

**PIONEER INDUSTRIES, INC.**  
3325 S. Garfield Ave.  
Commerce, CA 90040  
(800) 338-9468  
www.pioneerind.com

### Tools:



Adjustable Wrench



Plumbers Putty



Teflon Tape



Rags

## Model Number: 2MT161H, 2MT171H, 2MT182H

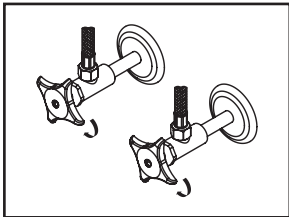


### Warnings and Notes:

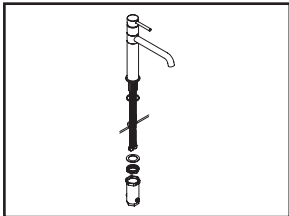
Check with local plumbing code requirements before installation.  
This product should be installed by a local listed plumber.  
**Do not use plumbers putty on threads.**

### Installation Steps:

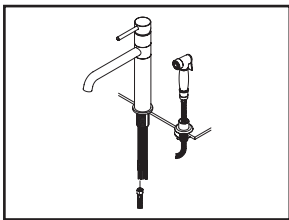
#### Single Handle Kitchen Faucet



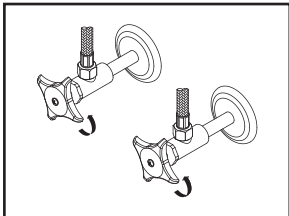
(1) Shut off water supplies. Remove old faucet. Clean mounting surface in preparation for new faucet.



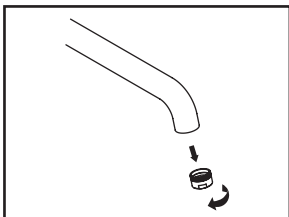
(2) Make sure washer is under escutcheon. Insert faucet through mounting hole. Tighten locknut to the faucet from underneath the sink with help of supplied mounting tool. If there is no need of side spray, use supplied cap to cap side spray outlet port on the bottom of faucet. Go to step (4).



(3) Place side spray holder in position of mounting hole, secure side spray holder by tightening hole, secure side spray holder by tightening locknut from underneath the sink. Lead side spray hose through side spray holder. Connect side spray hose to side spray outlet port on the bottom of the faucet.



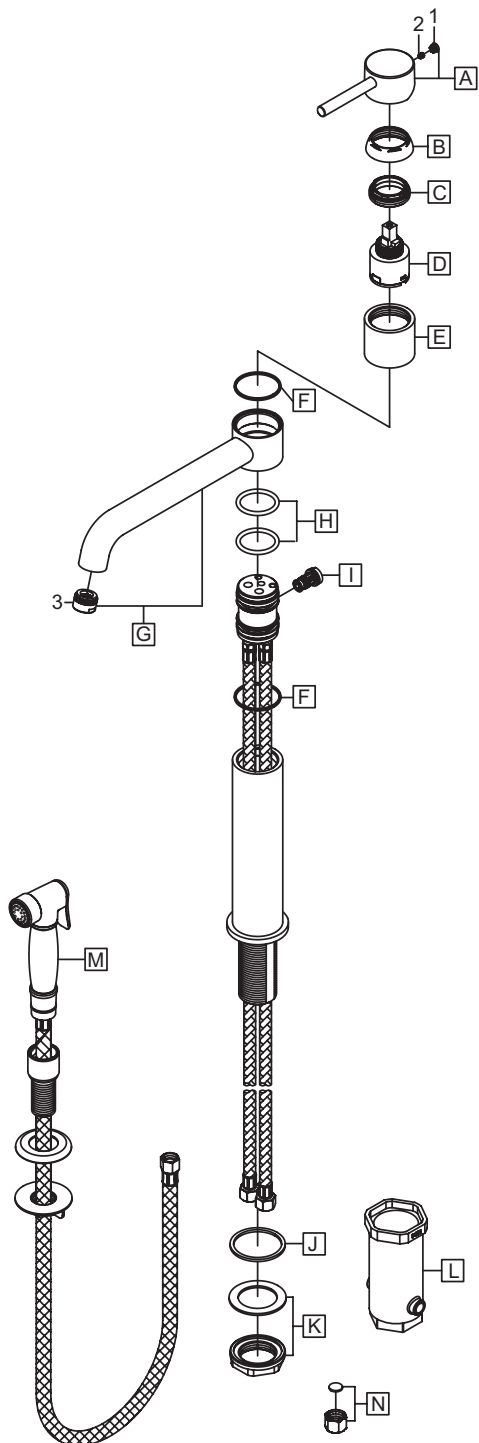
(4) Connect hot and cold inlet supply hoses to water supply valves. For 1/2" connection, use 3/8" male to 1/2" female adapter for installation. Adapter is optional and not provided with faucet. Turn on both water supply valves.



(5) Important: After installation is complete, remove aerator. Turn water supplies on and allow both hot and cold water to run at least one minute each. While water is running, check for leaks. Turn off water and replace aerator.

## Exploded Drawing (2MT161H):

\* Note: Please specify finish/color when ordering.



	ITEM #	DESCRIPTION
A	X-1900008*	Motegi Lever Handle
B	X-4900017*	Cap
C	X-4900018	Locknut
D	X-3900001	Ceramic Disc Cartridge
E	X-4200091*	Retainer Sleeve
F	X-4200003	Gasket
G	X-2200018*	Motegi Bent Nose Spout
H	X-4200004	O-Ring
I	X-4200007	Diverter Piston
J	X-4200076	Washer
K	X-5200012	Mounting Kit
L	X-5200021	Mounting Tool
M	X-4200070*	Side Spray Assembly
N	X-4200049	Cap and Washer
1	X-4900044*	Hole Cover
2	X-4400024	Allen Screw
3	X-4900089*	1.5 GPM Aerator

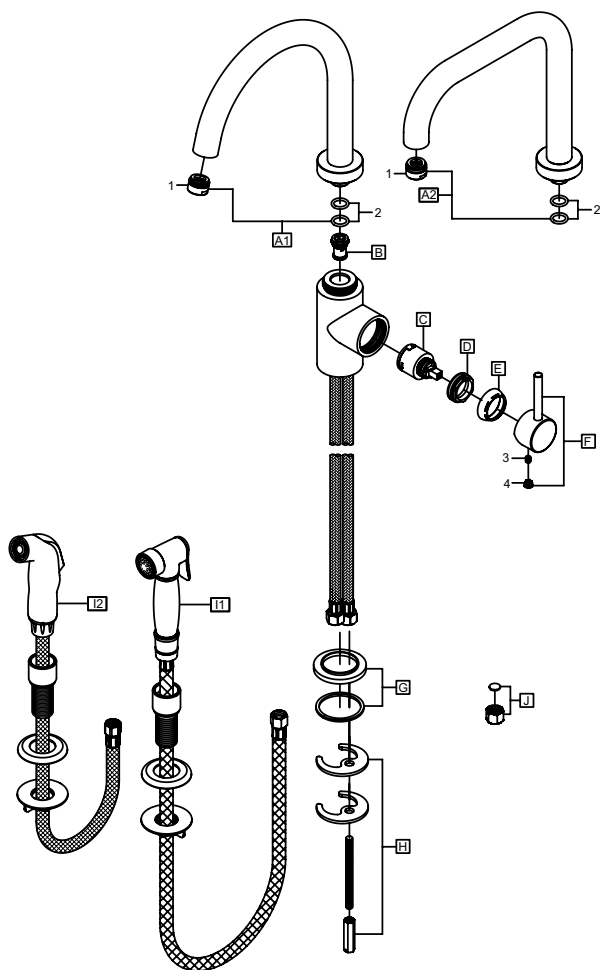
**PIONEER**

For more care information or trouble shooting inquiries about your Pioneer product, please call:  
**Pioneer Industries, Inc.** (800) 338-9468  
 Monday-Friday 8AM to 8PM EST (5AM to 5PM PST)  
[www.pioneerind.com](http://www.pioneerind.com)

## Exploded Drawing (2MT171H, 2MT182H):

\* Note: Please specify finish/color when ordering.

	ITEM #	DESCRIPTION
A1	X-2200019*	Motegi Series Spout (For 2MT171H)
A2	X-2200024*	Motegi Series 90-Degree Spout (For 2MT182H)
B	X-4200016	Diverter Piston
C	X-3900003	Ceramic Disc Cartridge
D	X-4900018	Locknut
E	X-4900017*	Cap
F	X-1900008*	Motegi Lever Handle
G	X-4300019*	Escutcheon and Washer
H	X-5900002	Mounting Kit
I1	X-4200070*	Side Spray Assembly
I2	X-4200100*	Side Spray Assembly
J	X-4200049	Cap and Washer
1	X-4900089*	1.5 GPM Aerator
2	X-4900070	Spout O-Ring
3	X-4400024	Allen Screw
4	X-4900044*	Hole Cover



For more care information or trouble shooting inquiries  
 about your Pioneer product, please call:  
**Pioneer Industries, Inc.** (800) 338-9468  
 Monday-Friday 8AM to 8PM EST (5AM to 5PM PST)  
[www.pioneerind.com](http://www.pioneerind.com)

