



ENGINEERING EXCELLENCE

Legacy Series #2LG250

PARTS BREAKDOWN SHEET

DESCRIPTION

- Single Handle Pull-Down Kitchen Faucet
- Metal Lever Handle
- Pull-Down Head with 2 Spray Patterns Swivel 360°
- 8-1/2" Reach, 8" from Deck to Aerator
- Ceramic Disc Cartridge with Temperature Limit Stop
- 1 or 3 Hole 8" Installation
- Ball Joint Swivel Sprayhead
- 1 or 3 Hole 8" Installation
- Easy-Install 30" Flex Supply Lines With 3/8" Connections

FINISHES

- PC Polished Chrome
- BN PVD Brushed Nickel
- SS PVD Stainless Steel
- PB PVD Polished Brass
- ORB Oil Rubbed Bronze
- SG Slate Grey



#2LG250 SHOWN * ADA 

FLOW

- Pull-Down Spray Head Limited to 1.8 GPM

Model #: _____

Specific Features: _____

Project Name: _____

Submitted For: _____

STANDARDS APPLICABLE

- ASME A112.18.1
- ANSI A117.1
- ANSI / NSF 61, SECTION 9
- CUPC / IAPMO LISTED / ADA COMPLIANT
- CONTAINS NO MORE THAN 0.25% WEIGHTED AVERAGE LEAD CONTENT

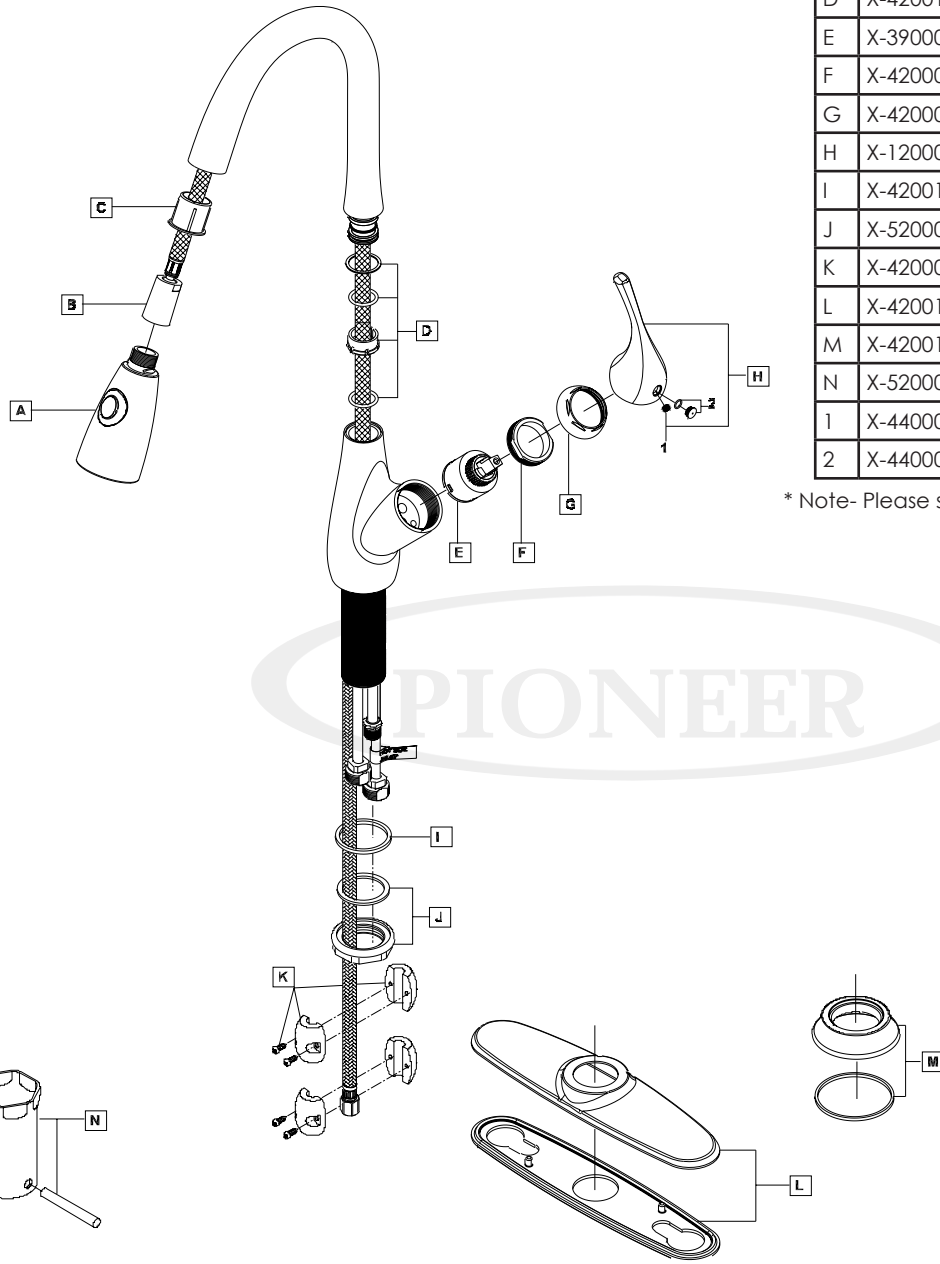
Note:-There is more than 1 version of this model. Page down to identify the version you have.

Model	Description	Finishes	
#2LG250	Single Handle Pull-Down Kitchen Faucet	<input type="checkbox"/> PC	<input type="checkbox"/> Other__



ENGINEERING EXCELLENCE
 Pioneer:1-800-338-9468
 Commerce, CA 90040
 www.pioneerind.com
 Pioneer Industries, Inc. © 2016

DMPB2LG250/REV. 08 2016
 Page 1 of 3



	ITEM#	DESCRIPTION
A	X-4200089*	Pull-Down Spray Head
B	X-4200111	Spray Hose
C	X-4200148	Spray Head Support
D	X-4200112	Spout Repair Kit
E	X-3900001	Ceramic Disc Cartridge
F	X-4200002	Retainer Nut
G	X-4200001*	Retainer Sleeve
H	X-1200016*	Lever Handle
I	X-4200113	Washer
J	X-5200019	Mounting Kit
K	X-4200041	Weight
L	X-4200169*	Deck Plate
M	X-4200152*	Escutcheon
N	X-5200020	Mounting Tool
1	X-4400024	Allen Screw
2	X-4400073*	Hole Cover

* Note- Please specify finish/color code while ordering.

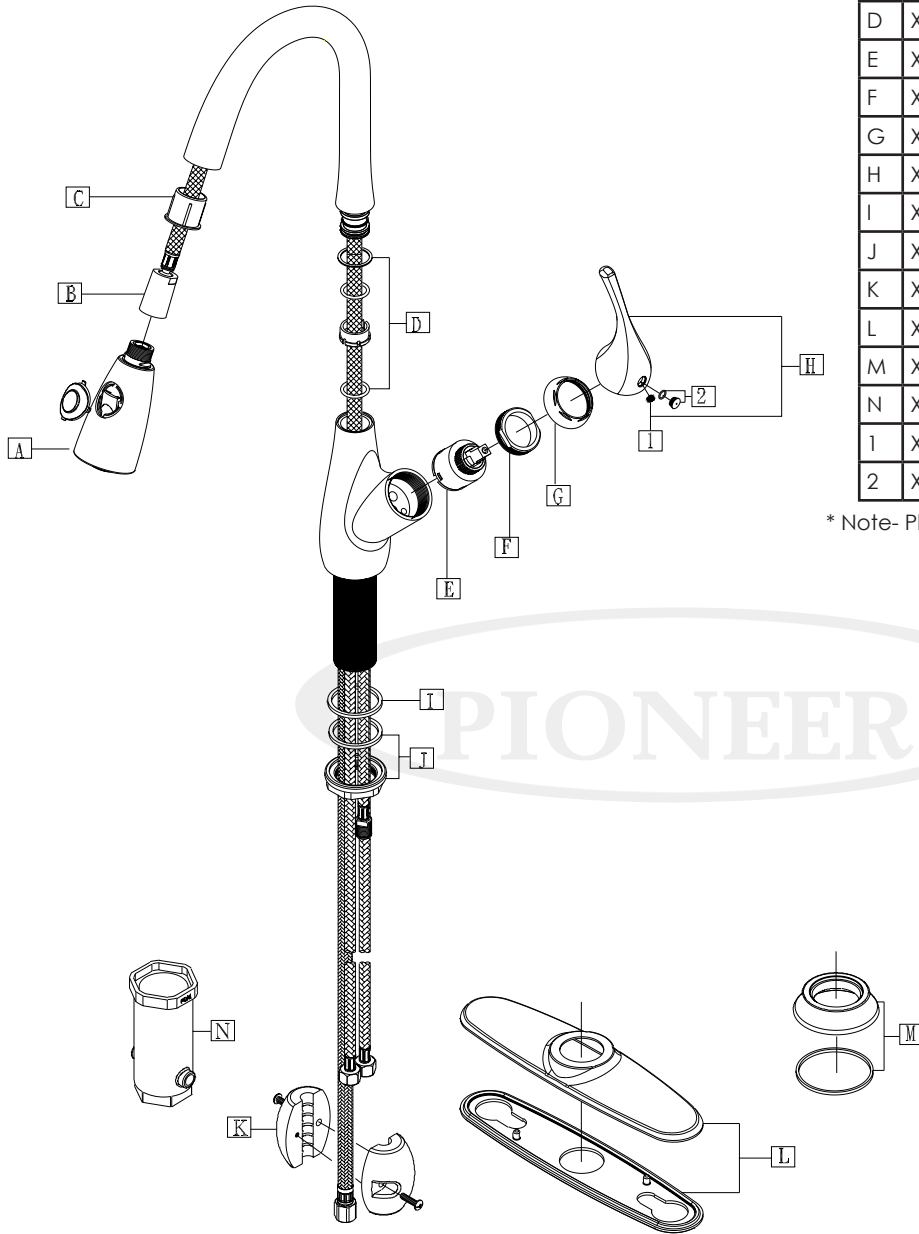
Product Diagram



ENGINEERING EXCELLENCE

Pioneer: 1-800-338-9468
 Commerce, CA 90040
 www.pioneerind.com
 Pioneer Industries, Inc. © 2016

	ITEM#	DESCRIPTION
A	X-4200179*	Pull-Down Spray Head
B	X-4200111	Spray Hose
C	X-4200148	Spray Head Support
D	X-4200112	Spout Repair Kit
E	X-3900001	Ceramic Disc Cartridge
F	X-4200002	Retainer Nut
G	X-4200001*	Retainer Sleeve
H	X-1200016*	Lever Handle
I	X-4200113	Washer
J	X-5200019	Mounting Kit
K	X-4200186	Weight
L	X-4200169*	Deck Plate
M	X-4200152*	Escutcheon
N	X-5200021	Mounting Tool
1	X-4400024	Allen Screw
2	X-4400073*	Hole Cover



* Note- Please specify finish/color code while ordering.

Product Diagram



ENGINEERING EXCELLENCE

Pioneer: 1-800-338-9468
 Commerce, CA 90040
 www.pioneerind.com
 Pioneer Industries, Inc. © 2016