



ENGINEERING EXCELLENCE

Legacy Series #2LG240

SPECIFICATION SHEET

DESCRIPTION

- Two Handle Kitchen Faucet
- ADA Wrist Blade Handles
- Hi-Arc Spout Swivel 360°
- 7-3/16" Reach, 11-3/16" From Deck to Aerator
- Ceramic Disc Cartridges
- 3-Hole 8" Installation

FINISHES

- PC Polished Chrome



#2LG240 SHOWN * ADA 

STANDARDS APPLICABLE

- ASME A112.18.1
- ANSI A117.1
- CONTAINS NO MORE THAN 0.25% WEIGHTED AVERAGE LEAD CONTENT

FLOW

- Aerator Limited to 1.5 GPM

Model #: _____

Specific Features: _____

Project Name: _____

Submitted For: _____

Model	Description	Finishes	
#2LG240	Two Handle Kitchen Faucet	<input type="checkbox"/> PC	<input type="checkbox"/> Other____



ENGINEERING EXCELLENCE

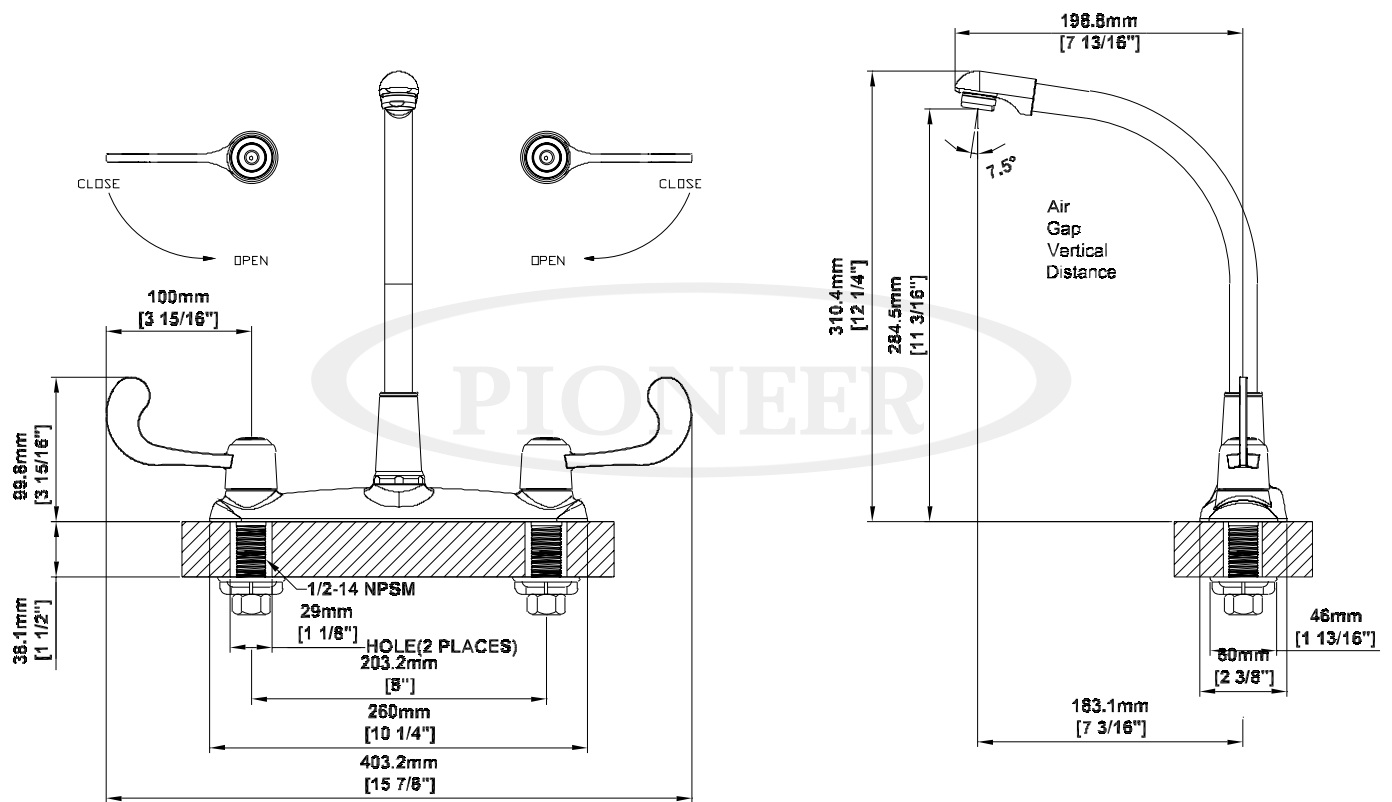
Pioneer:1-800-338-9468
 Commerce, CA 90040
 www.pioneerind.com
 Pioneer Industries, Inc. © 2016

DMSP2LG240/REV. 08 2016
 Page 1 of 2

Installation Note:

Faucet Hole Size :- 1-1/2"

Maximum Deck Thickness:- 1-1/2"



Product Diagram



ENGINEERING EXCELLENCE

Pioneer:1-800-338-9468

Commerce, CA 90040

www.pioneerind.com

Pioneer Industries, Inc. © 2016