



ENGINEERING EXCELLENCE

Legacy Series #2LG160H

PARTS BREAKDOWN SHEET

DESCRIPTION

- Single Handle Kitchen Faucet
- Metal Lever Handle
- Spout Swivel 360°
- 9-11/16" Reach, 5-7/8" From Deck to Aerator
- Ceramic Disc Cartridge with Temperature Limit Stop
- 30" SS Flex Connectors with 3/8" Compression Connection Nuts
- 3-Hole 8" Installation

FINISHES

- PC Polished Chrome
- BN PVD Brushed Nickel
- ORB Oil Rubbed Bronze



#2LG160H SHOWN * ADA



FLOW

- Aerator Limited to 1.5 GPM

STANDARDS APPLICABLE

- ASME A112.18.1
- ANSI A117.1
- ANSI / NSF 61, SECTION 9
- CUPC / IAPMO LISTED / ADA COMPLIANT / Cal Green Compliant
- CONTAINS NO MORE THAN 0.25% WEIGHTED AVERAGE LEAD CONTENT

Model #: _____

Specific Features: _____

Project Name: _____

Submitted For: _____

Model	Description	Finishes	
#2LG160H	Single Handle Kitchen Faucet	<input type="checkbox"/> PC	<input type="checkbox"/> Other___



ENGINEERING EXCELLENCE

Pioneer:1-800-338-9468

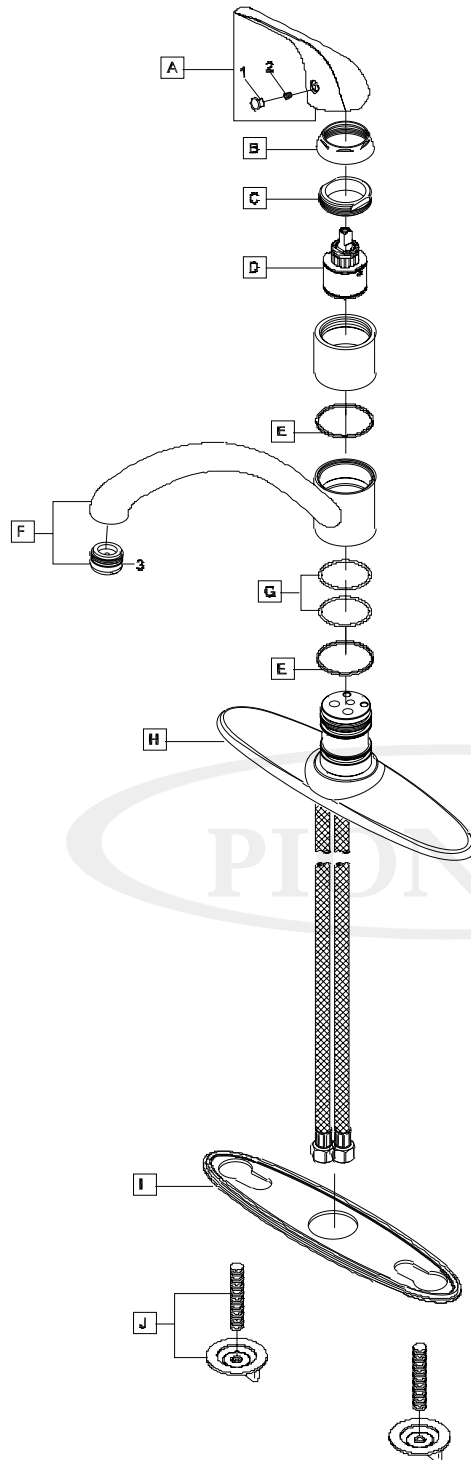
Commerce, CA 90040

www.pioneerind.com

Pioneer Industries, Inc. © 2016

DMPB2LG160H/REV. 08 2016

Page 1 of 2



	ITEM#	DESCRIPTION
A	X-1200001*	Legacy Lever Handle
B	X-4200001*	Retainer Cap
C	X-4200002	Retainer Nut
D	X-3900001	Ceramic Disc Cartridge
E	X-4200003	Spout Gasket
F	X-2200001*	Legacy Spout
G	X-4200004	O-Ring
H	X-4200005*	Deck Plate
I	X-4200006	Base Plate
J	X-5200001**	Mounting Kit
1	X-4900001	Hot & Cold Indicator
2	X-4900002	Allen Screw
3	X-4900081*	1.5 GPM Aerator

* Note- Please specify finish/color code while ordering.
 ** Note- X-5200001 will be replaced by X-5200006 once Stock depleted.

Product Diagram



ENGINEERING EXCELLENCE

Pioneer: 1-800-338-9468
 Commerce, CA 90040
 www.pioneerind.com
 Pioneer Industries, Inc. © 2016