



# ENGINEERING EXCELLENCE

Americana Series #2AM401

PARTS BREAKDOWN SHEET

### DESCRIPTION

- Two Handle Kitchen Faucet
- Metal Lever Handles
- Spout Swivel 360°
- 8-11/16" Reach, 10-1/4" from Deck to Aerator
- Ceramic Disc Cartridges
- 2-Hole Installation
- Side Spray Assembly
- Easy-Install 30" Flex Supply Lines With 3/8" Connections

### FINISHES

- PC Polished Chrome
- BN PVD Brushed Nickel
- SS PVD Stainless Steel
- ORB Oil Rubbed Bronze
- MZ Moroccan Bronze

### FLOW

- Aerator Limited to 1.5 GPM



#2AM401 SHOWN \* ADA 

### STANDARDS APPLICABLE

- ASME A112.18.1
- ANSI A117.1
- ANSI / NSF 61, SECTION 9
- CUPC / IAPMO LISTED / ADA COMPLIANT
- CONTAINS NO MORE THAN 0.25% WEIGHTED AVERAGE LEAD CONTENT

Model #: \_\_\_\_\_

Specific Features: \_\_\_\_\_

Project Name: \_\_\_\_\_

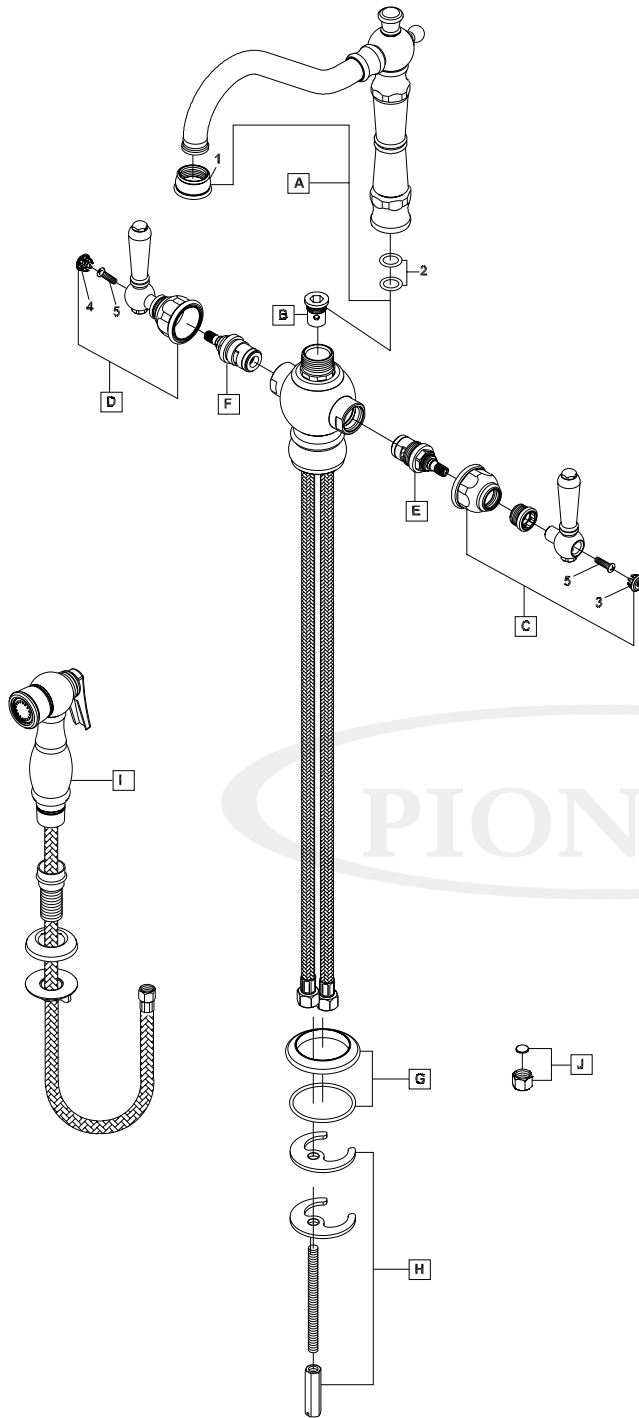
Submitted For: \_\_\_\_\_

Model	Description	Finishes	
#2AM401	Two Handle Kitchen Faucet	<input type="checkbox"/> PC	<input type="checkbox"/> Other ____



ENGINEERING EXCELLENCE

Pioneer: 1-800-338-9468  
 Commerce, CA 90040  
 www.pioneerind.com  
 Pioneer Industries, Inc. © 2016



	ITEM#	DESCRIPTION
A	X-2200012*	Americana Spout
B	X-4200016	Diverter Piston
C	X-3200004C,H	Ceramic Cartridge-Cold,Hot
D	X-1200007C,H*	Lever Handle-Cold,Hot
E	X-4200062*	Escutcheon
F	X-5900002	Mounting Kit
G	X-4200059*	Side Spray Assembly
1	X-4900091*	1.5 GPM Aerator
2	X-4900012	Spout O-Rings
3	X-4900042C,H*	Button-Cold, Hot
4	X-4900043	Handle Screw

\* Note- Please specify finish/color code while ordering.

Product Diagram

