

Lavatory Ensemble Model K280_026

FEATURES

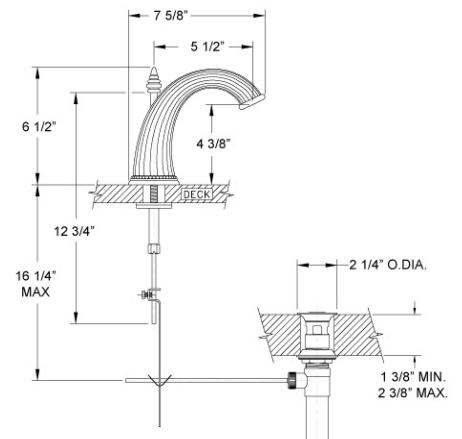
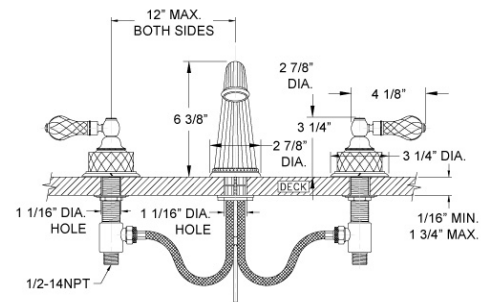
- Style: Baroque Treasures
- Collection: Regent Cut Crystal
- 1-1/16" (27mm) hole size for valves
- 1-1/16" (27mm) hole size for spout
- Temperature controlled by handles
- 12" (305mm) maximum centers
- Pop-up drain with lift rod and tailpiece
- 1.5 gpm @ 60 psi

COLOR FINISHES

- Polished Nickel (K280_014)
- Satin Nickel (K280_015)
- Pewter (K280_15A)
- Polished Chrome (K280_026)
- Polished Brass (K280_003)
- Polished Brass Antiqued (K280_007)
- Satin Brass (K280_004)
- Polished Gold (K280_025)
- Polished Gold Antiqued (K280_25D)
- Satin Gold (K280_024)
- Satin Gold Antiqued (K280_24D)
- Satin Jeweler's Gold (K280_24J)
- Old English Brass (K280_OEB)
- Antique Brass (K280_047)
- Antique Bronze (K280_11B)



Image shown may not be in the finish selected



WARRANTY

- Limited Lifetime

COMPLIES WITH

- CA AB 1953-CERTIFIED
- ADA
- ANSI/NSF61-CERTIFIED
- A112.18.1-05/CSA B125.1-2005-CERTIFIED
- cUPC-CERTIFIED
- UPC-CERTIFIED
- EPA WaterSense-CERTIFIED
- VT S152

