

### Lavatory Ensemble Model K280\_025

#### FEATURES

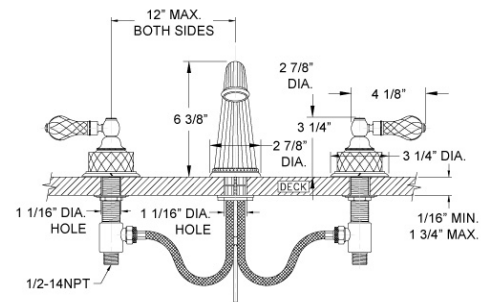
- Style: Baroque Treasures
- Collection: Regent Cut Crystal
- 1-1/16" (27mm) hole size for valves
- 1-1/16" (27mm) hole size for spout
- Temperature controlled by handles
- 12" (305mm) maximum centers
- Pop-up drain with lift rod and tailpiece
- 1.5 gpm @ 60 psi

#### COLOR FINISHES

- Polished Nickel (K280\_014)
- Satin Nickel (K280\_015)
- Pewter (K280\_15A)
- Polished Chrome (K280\_026)
- Polished Brass (K280\_003)
- Polished Brass Antiqued (K280\_007)
- Satin Brass (K280\_004)
- Polished Gold (K280\_025)
- Polished Gold Antiqued (K280\_25D)
- Satin Gold (K280\_024)
- Satin Gold Antiqued (K280\_24D)
- Satin Jeweler's Gold (K280\_24J)
- Old English Brass (K280\_OEB)
- Antique Brass (K280\_047)
- Antique Bronze (K280\_11B)



Image shown may not be in the finish selected



#### WARRANTY

- Limited Lifetime

#### COMPLIES WITH

- CA AB 1953-CERTIFIED
- ADA
- ANSI/NSF61-CERTIFIED
- A112.18.1-05/CSA B125.1-2005-CERTIFIED
- cUPC-CERTIFIED
- UPC-CERTIFIED
- EPA WaterSense-CERTIFIED
- VT S152

