

SGL-HHL Series

SANTIAGO.

Hub & Handle Trim

Lever Handles

Highlights

- Metal Lever Handles
- ADA Approved
- Pforever Warranty®

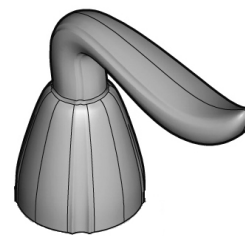
Code Compliance

Price Pfister products are designed and manufactured in compliance with the following standards and codes:

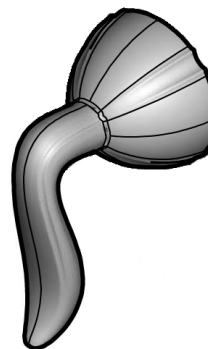
- IAPMO certified
- ASME A112.18.1
- CSA B125 certified
- ANSI A117.1 (Lever handles only)

Finishes	HHL-ST0C	HHL-ST0K	HHL-ST0Y	SGL-ST0C	SGL-ST0K	SGL-ST0Y
Tuscan Bronze			X			X
Polished Chrome	X			X		
Satin Nickel		X			X	

Features	HHL-ST0C	HHL-ST0K	HHL-ST0Y	SGL-ST0C	SGL-ST0K	SGL-ST0Y
For Tub & Shower Trim				X	X	X
For Widespread and Roman Tub Faucets	X	X	X			
Metal Lever Handles	X	X	X	X	X	X
ADA Approved	X	X	X	X	X	X
Step-By-Step Installation Instructions	X	X	X	X	X	X
Pforever Warranty®	X	X	X	X	X	X



- HHL-ST0C
- HHL-ST0K
- HHL-ST0Y



- SGL-ST0C
- SGL-ST0K
- SGL-ST0Y

For additional information, please contact your Price Pfister representative, or visit our website at www.pricepfister.com.

Project: _____

Contractor: _____

SS-HDL-29

1-800-PFAUCET www.pricepfister.com
19701 DaVinci, Lake Forest, CA 92610
06/18/07

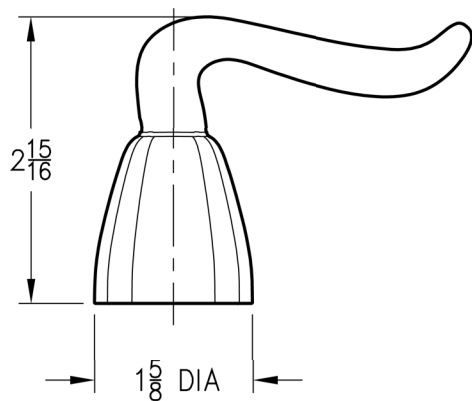
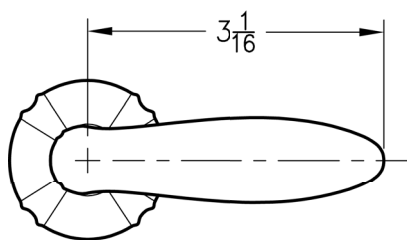
Price Pfister®
Pf Freshest Ideas in Pf faucets.

SGL-HHL Series

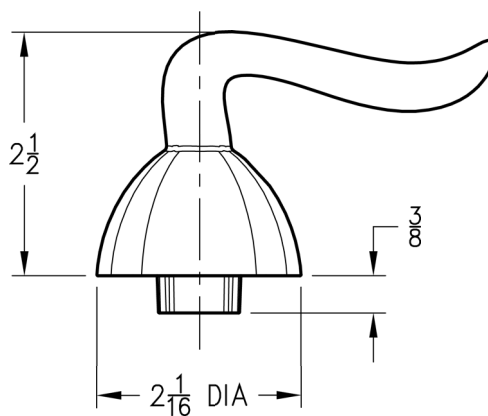
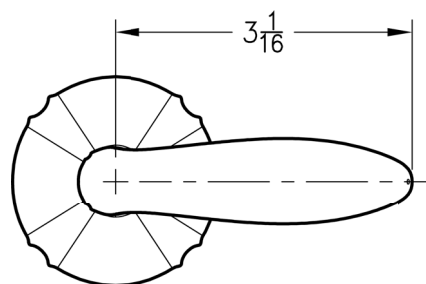
SANTIAGO™

Hub & Handle Trim

HHL



SGL



Dimensions are in Inches

1-800-PFAUCET www.pricepfister.com
 19701 DaVinci, Lake Forest, CA 92610
 06/18/07

Price Pfister®
 Pfreshest Ideas in Pfaucets.