

Price Pfister

PF Pfreshest Ideas in Pf faucets.

R89 808 Series

Serie R89 808

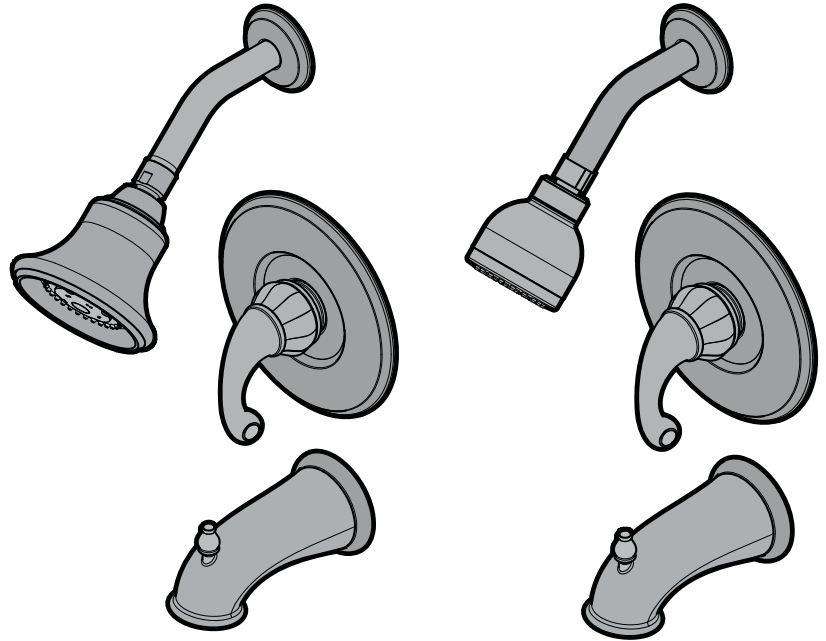
Série R89 808

TREVISO™

Tub & Shower • Shower Only
Trim Kit

Juego con acabado para
Tinas y duchas o • duchas solamente

Bain et douche • Douche seule
Kit de garniture



Price Pfister

Lifetime Limited Mechanical & Pfinish Warranty
Covers Pfinish and Pfunction for as Long as You
Own Your Home

(Commercial Applications Limit the Duration of the
Warranties as Provided Below)

Price Pfister provides the following Warranties for its products. Proof of Purchase may be required in order to obtain any of the benefits set forth below.

Limited Warranties: Price Pfister warrants that for as long as the original purchaser owns the home in which the Price Pfister product (the "Product") is originally installed, the Product will be free of all defects in material and workmanship that would impair the intended and proper use of the Product. If the Product is installed in a commercial application, the above mechanical warranty shall be limited for a period of ten (10) years from the date of purchase of the Product.

Price Pfister warrants against deterioration of the Product's finish for as long as the original purchaser owns the home in which the Product is originally installed. If the Product is installed in a commercial application, the above finish warranty for Products that do not contain the Pforever finish shall be limited to a period of five (5) years from the date of purchase.

Exclusive Remedy: In the event of any defect in the Product that breaches the foregoing warranties, Price Pfister, at its option, will repair or replace the defective part of the Product. Repair or replacement of the Product is the exclusive remedy.

For any remedy under this warranty, Price Pfister is to be notified describing the problem. In order to notify Price Pfister and receive assistance or service under this warranty, the original purchaser may: (1) call 1-800-Pfaucet (1-800-732-8238) for a consumer service representative who can assist you, or (2) write consumer service department c/o Price Pfister Inc., 19701 DaVinci, Lake Forest, CA 92610, and include a description of the problem, model number, your name, address, phone number and approximate date of purchase, or (3) email Price Pfister's customer service department by going to www.PricePfister.com, or (4) notify the location or distributor from which the Product was purchased. In any case, you may be required to return the Product to Price Pfister for inspection and proof of purchase may be required.

Limitations and Exclusions:

PRICE PFISTER WILL NOT BE LIABLE FOR ANY OTHER DAMAGES OR LOSSES, INCLUDING, BUT NOT LIMITED TO, INCIDENTAL AND/OR CONSEQUENTIAL DAMAGES, REGARDLESS OF THE LEGAL THEORY ASSERTED, INCLUDING ANY CLAIM OR BREACH OF WARRANTY HEREUNDER OR ANY OTHER CAUSE, AND WHETHER ARISING IN CONTRACT OR IN TORT (including negligence and strict liability).

Price Pfister has the right to discontinue or modify any product at any time. Some states do not allow limitations or exclusions of incidental or consequential damages, so the above limitations or exclusions may not apply to you. This warranty gives you specific legal rights, and you may also have other rights which vary from state to state.

The above warranties do not cover damage resulting from improper maintenance, repair, cleaning or installation, misuse, abuse, alterations, accidents or acts of God.



Price Pfister

Garantía Mecánica y sobre el Acabado Limitada de por Vida
Cubre las funciones y el acabado por el tiempo en que usted sea
propietario de su casa
(Las Aplicaciones Comerciales Limitan la Duración
de las Garantías)

Price Pfister suministra las siguientes Garantías para sus productos. Es posible que se requiera la presentación de una Prueba de compra para obtener cualquiera de los beneficios indicados a continuación.

Garantías Limitadas: Price Pfister garantiza que por el tiempo en que el comprador original sea propietario de la casa en la que se hubiese instalado inicialmente el producto Price Pfister (el "Producto"), este Producto estará libre de todo defecto en material y mano de obra que pueda afectar el uso proyectado y correcto del Producto. Si el Producto se instala en una aplicación comercial, la garantía mecánica que antecede estará limitada a un período de diez (10) años a partir de la fecha de compra del Producto.

Price Pfister garantiza el acabado del Producto contra deterioro por el tiempo en que el comprador original sea propietario de la casa en la que hubiese instalado inicialmente el Producto. Si el Producto se instala en una aplicación comercial, la garantía sobre el acabado que precede para Productos que no contengan el acabado "Pforever" estará limitada a un período de cinco (5) años a partir de la fecha de compra.

Recurso exclusivo: En el caso de que haya un defecto en el Producto que viole las garantías que preceden, Price Pfister, a su opción, reparará o reemplazará la pieza defectuosa del Producto. La reparación o el reemplazo del Producto es el recurso exclusivo.

Para todo recurso con respecto a esta garantía, Price Pfister deberá ser notificado, con una descripción del problema. Para notificar a Price Pfister y recibir ayuda o servicio bajo esta garantía, el comprador original puede: (1) llamar al 1-800-Pfaucet (1-800-732-8238) para hablar con un representante de servicio al cliente que lo pueda ayudar, o (2) escribir al departamento de servicio al consumidor, c/o Price Pfister Inc., 19701 DaVinci, Lake Forest, CA 92610 U.S.A., e incluir una descripción del problema, el número del modelo, su nombre, dirección, número de teléfono y fecha aproximada de compra, o (3) enviar un e-mail al departamento de servicio al consumidor de Price Pfister entrando en la página web www.PricePfister.com, o (4) avisarle al lugar o al distribuidor en donde se compró el Producto. En cualquiera de los casos, podría pedírsele devolver el Producto a Price Pfister para su inspección y es posible que se requiera la presentación de una prueba de compra.

Limitaciones y Exclusiones:

PRICE PFISTER NO SE HARÁ RESPONSABLE DE NINGÚN OTRO DAÑO O PERJUICIO, INCLUYENDO, PERO SIN ESTAR LIMITADO A DAÑOS INCIDENTALES Y/O CONSECUTENTES, SIN IMPORTAR LA TEORÍA LEGAL A LA QUE SE ALEGUE, INCLUYENDO TODO RECLAMO O VIOLACIÓN DE LA GARANTÍA PRESENTE O CUALQUIER OTRA CAUSA, Y YA SEAN COMO RESULTADO DE LA LEY CONTRACTUAL O LA DE ANTECEDENTES (incluyendo negligencia y responsabilidad estricta).

Price Pfister tiene el derecho de discontinuar o modificar cualquier producto en cualquier momento. Ciertos estados no permiten limitaciones o exclusiones de daños incidentales o consecuentes, de manera que es posible que las limitaciones o exclusiones que preceden no correspondan en su caso. Esta garantía le otorga derechos legales específicos y es posible que usted también tenga otros derechos que difieren entre un estado y otro.

Las garantías que preceden no cubren daños y perjuicios ocasionados como resultado de mantenimiento, reparaciones, limpieza o instalación inadecuados, mal uso, abuso, alteraciones, accidentes o causas de fuerza mayor.



Price Pfister

Une garantie limitée à vie
pour ce qui est de l'aspect mécanique et de la finition,
tant et aussi longtemps que vous serez propriétaire
de votre domicile.
(Garantie limitée en cas d'utilisation commerciale
- voir ci-dessous)

Veillez noter qu'une preuve d'achat peut être requise en cas de recours au titre de la garantie.

Garantie limitée : Tant et aussi longtemps que l'acheteur sera propriétaire du domicile dans lequel le produit Price Pfister a été installé, nous lui garantissons que ce dernier sera exempt de tout défaut de matériau ou vice de fabrication pouvant en entraver l'utilisation correcte tel que prévu. Dans le cas des produits d'utilisation commerciale, la garantie exprimée ci-dessus est restreinte à une période de dix (10) ans.

Par ailleurs, tant et aussi longtemps que l'acheteur sera propriétaire du domicile dans lequel le produit Price Pfister a été installé, nous lui garantissons un article dont la finition ne pourra se détériorer. Dans le cas des produits d'utilisation commerciale qui ne comportent pas la finition "Pforever", la garantie est restreinte à une période de cinq (5) ans.

Recours exclusif : En cas de défaut du produit relevant de la garantie, le fabricant pourra, à sa discrétion, réparer ou remplacer la partie défectueuse. Cette mesure constitue un recours exclusif.

Pour tout recours au titre de la garantie, les clients doivent communiquer avec le fabricant pour lui faire part du problème. L'acheteur d'origine peut : (1) composer le 1 800 732-8238 pour parler à un représentant qui l'assistera; (2) écrire au service à la clientèle : Price Pfister Inc., 19701 DaVinci, Lake Forest, CA 92610 U.S.A., et fournir une explication du problème, en précisant le numéro de modèle, son nom, son adresse et son numéro de téléphone, ainsi que la date d'achat approximative; (3) communiquer par courrier électronique avec le service à la clientèle en utilisant le site www.PricePfister.com, ou (4) aviser le détaillant qui a vendu le produit. On peut être obligé de retourner le produit au fabricant, et une preuve d'achat peut être exigée.

Limitations et exclusions :

PRICE PFISTER NE SÉRA PAS RESPONSABLE DES AUTRES DOMMAGES OU PERTES, Y COMPRIS LES DOMMAGES INDIRECTS, INDÉPENDAMMENT DE TOUTE THÉORIE JURIDIQUE, Y COMPRIS TOUTE RÉCLAMATION SELON LAQUELLE IL Y AURAIT EU RUPTURE DE GARANTIE, QUE CE SOIT PAR RAPPORT À UN CONTRAT OU PAR VOIE DE NÉGLIGENCE (cela comprend la négligence et la responsabilité stricte).

Price Pfister se réserve le droit de discontinuer ou de modifier un produit en tout temps. Certaines provinces ne permettent pas l'exclusion ou la limitation des dommages indirects, de sorte que la limitation exprimée peut ne pas s'appliquer. La présente garantie octroie aux clients certains droits d'ordre juridique, et ceux-ci pourraient en avoir d'autres, selon la province où ils habitent.

La garantie ne s'applique pas aux dommages résultant d'un entretien, d'un nettoyage ou d'une installation fautive effectués, ou encore d'usages fautifs, d'abus, de modifications, d'accidents ou de catastrophes naturelles.

Thank you for purchasing this Price Pfister product. All Price Pfister products are carefully engineered, and factory tested to provide long trouble-free use under normal conditions. This product is easy to install using basic tools and our easy to follow illustrated instructions. If you have any questions regarding your product installation call 1-800-Pfaucet (1-800-732-8238).

1 BEFORE PROCEEDING

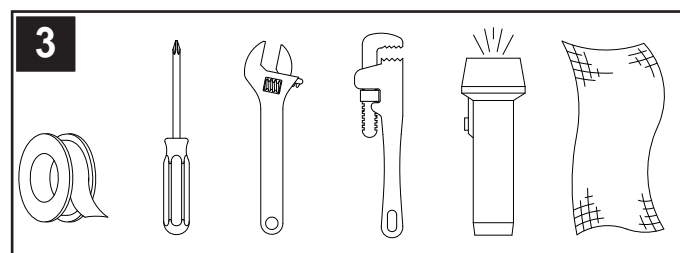
WARNING: Read all the instructions completely before proceeding. Price Pfister recommends calling a professional if you are uncertain about installing this product!

This product should be installed in accordance with all local and state plumbing and building codes.

WARNING: This product has been designed for use with the Price Pfister OX8 series pressure balancing valve. It will not work with any other product. Please review the OX8 valve installation instructions before installing this product.

2 SHUT OFF WATER SUPPLY

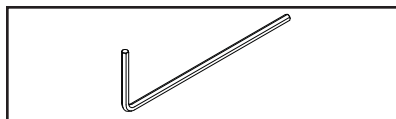
Locate water supply inlets and shut off the water supply valves. These are usually found near the water meter. If you are replacing an existing unit, remove the old unit and clean the mounting surface thoroughly.



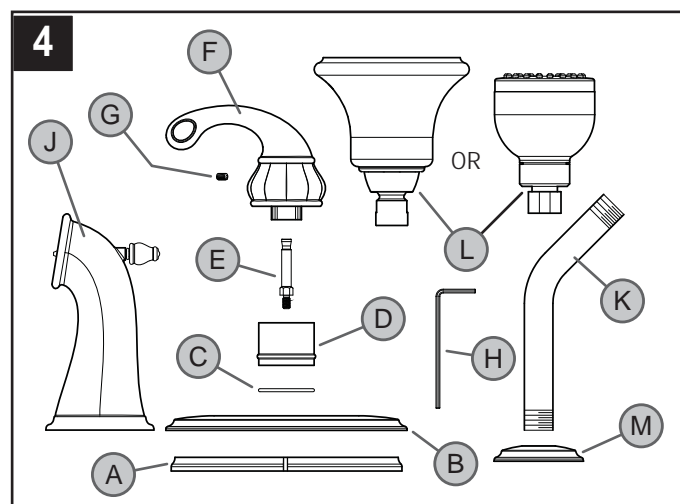
3 TOOLS RECOMMENDED

- PTFE plumber's tape or thread sealant
- Phillips head screwdriver
- Adjustable wrench
- Pipe wrench
- Flashlight
- Cloth

Your installation will require a pipe nipple for the spout installation as well as other additional tools.



This product comes with a Hex Wrench for tightening a set screw into the Hub.



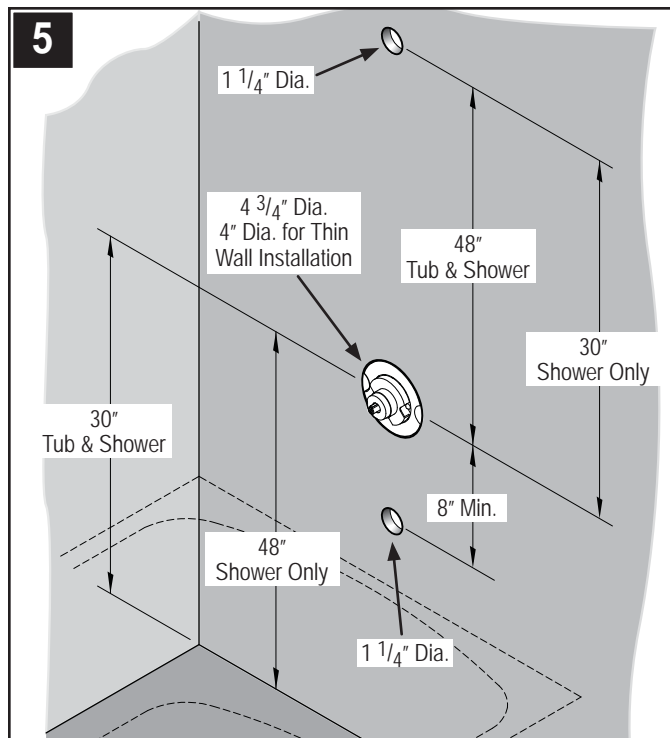
4 CHECKING THE CONTENTS OF THE BOX

Upon opening the box, check to ensure that all of the following items are included.

- | | | |
|-------------------|------------------|------------------|
| A Gasket Flange | B Trim Flange | C Washer |
| D Retainer Sleeve | E Extension Stem | F Hub & Handle |
| G Set Screw | H Hex Wrench | J Diverter Spout |
| K Shower Arm | L Shower Head | M Shower Flange |

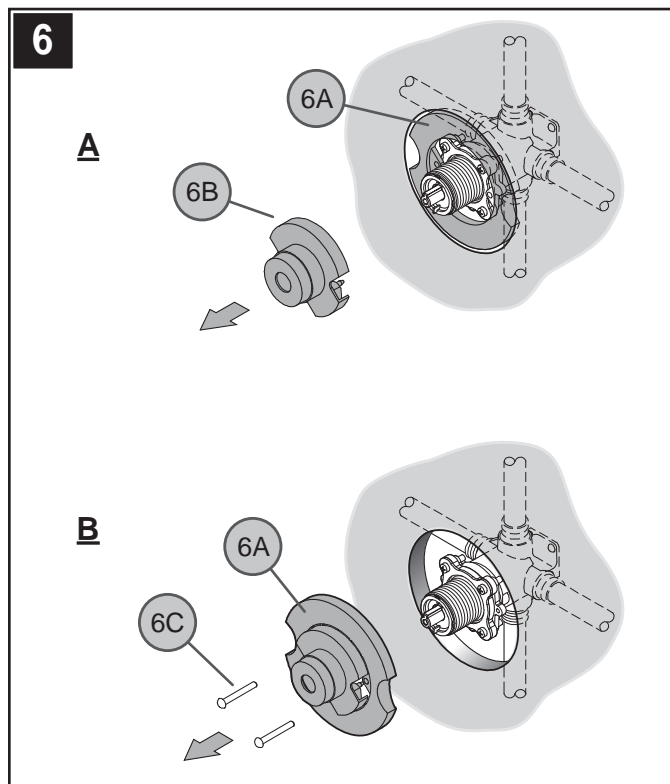
If any of these items are missing, please contact Price Pfister Consumer Service at 1-800-Pfaucet (1-800-732-8238).

INSTALLATION STEPS



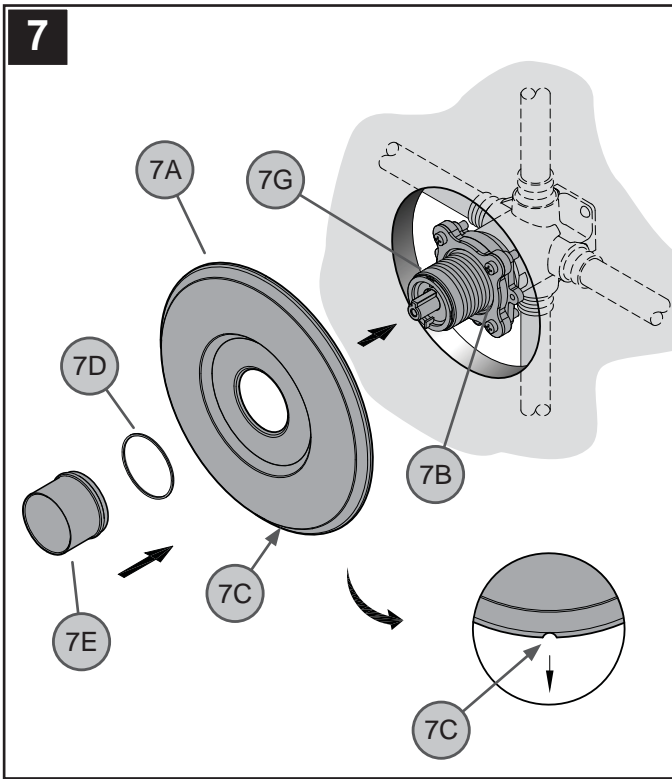
5 WORK AREA INSPECTION

Verify that the hole sizes and positions in the wall are correct.



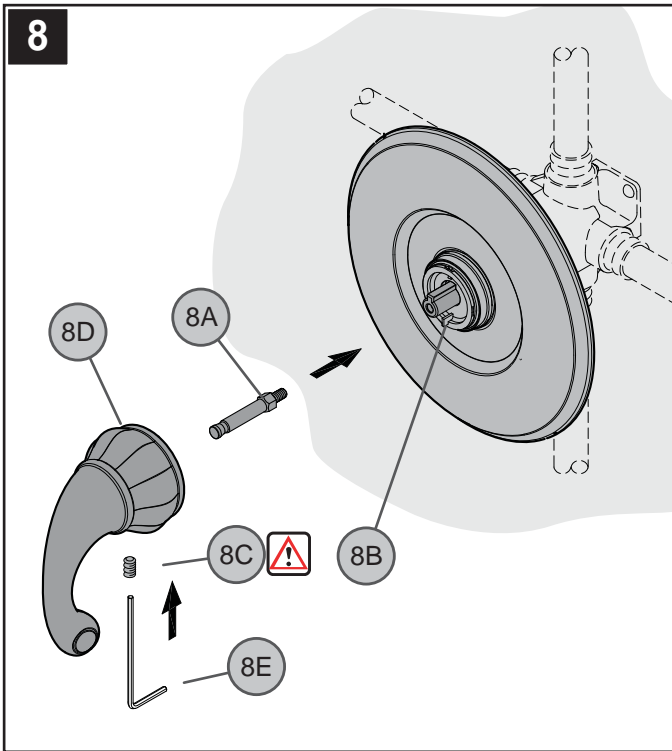
6 PLASTERGUARD OPTIONS

- A. For installation using plasterguard, knock out Center Section (6B) from Plasterguard (6A). The use of plasterguard is optional for standard installations.
- B. For installation without plasterguard, remove Screws (6C), and Plasterguard (6A).




7 TRIM FLANGE ATTACHMENT

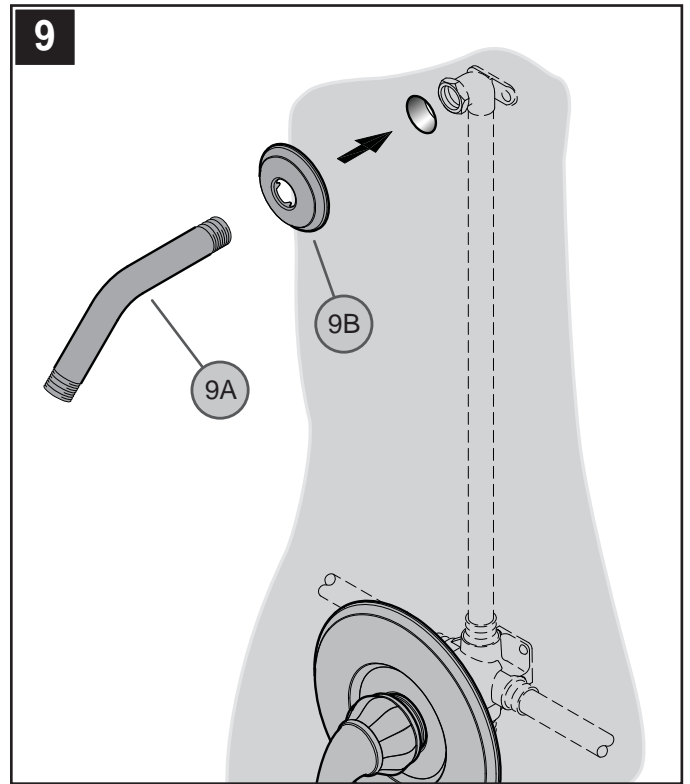
Position Flange (7A) on Valve (7B) with Drain Hole (7C) at the bottom. Place Protective Washer (7D) on the short end of the reversible Retainer Sleeve (7E). Screw Retainer Sleeve (7E) onto threaded section of the Stem and Bonnet (7G). Tighten Retainer Sleeve (7E) by hand until Flange (7A) is snug to finished wall surface. If the short end of the Retainer Sleeve (7E) is too short, reverse it to use the longer end.



8 HANDLE ATTACHMENT

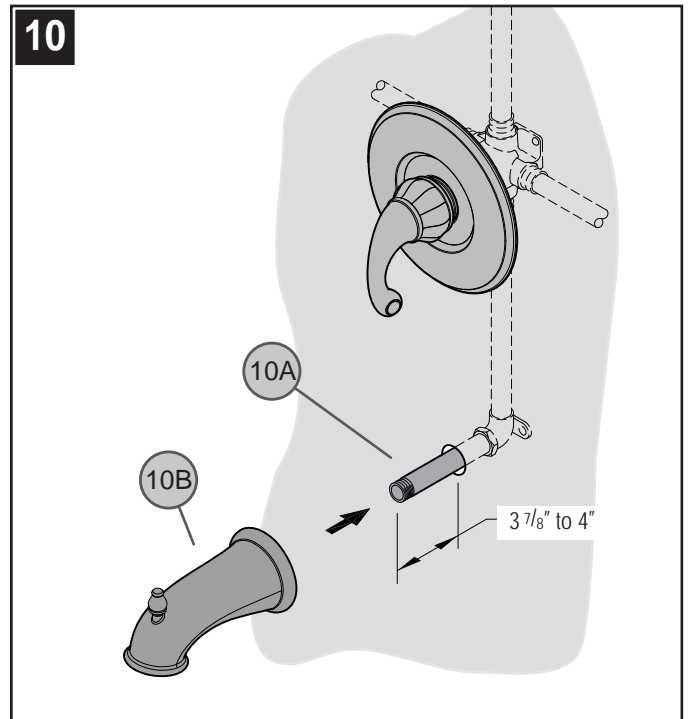
Screw Stem Extender (8A) onto Valve Stem (8B). Thread Set Screw (8C) into Handle (8D) and thread it in only three to four turns. Place Handle (8D) onto Stem Extender (8A) and tighten Set Screw (8C) by using Hex Wrench (8E) that is provided.

 Make sure Set Screw (8C) is securely tightened to handle (8D).



9 SHOWER ARM INSTALLATION

Insert the end of Shower Arm (9A) through the Shower Flange (9B). Apply PTFE plumber's tape to both ends of Shower Arm (9A) according to manufacturer's instructions. Screw the end of Shower Arm (9A) into pipe elbow inside the wall. Slide Shower Flange (9B) tight to the wall.

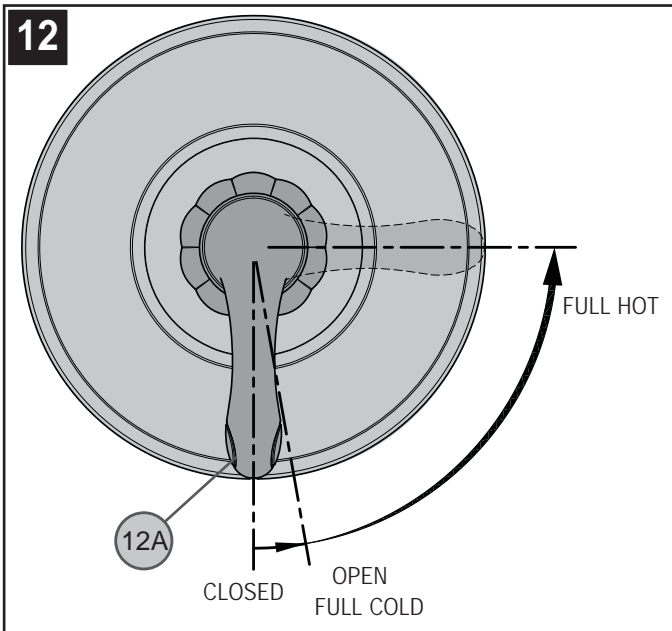


10 SPOUT INSTALLATION

Apply PTFE plumbers tape on both ends of Pipe Nipple (10A) (not included). Screw Pipe Nipple (10A) into the elbow inside the wall and tighten with pipe wrench. The Pipe Nipple (10A) is to project 3 ⁷/₈" to 4" from the finished wall. Screw Tub Spout (10B) onto Pipe Nipple (10A) and tighten until Spout is properly positioned and flush to the finished wall.

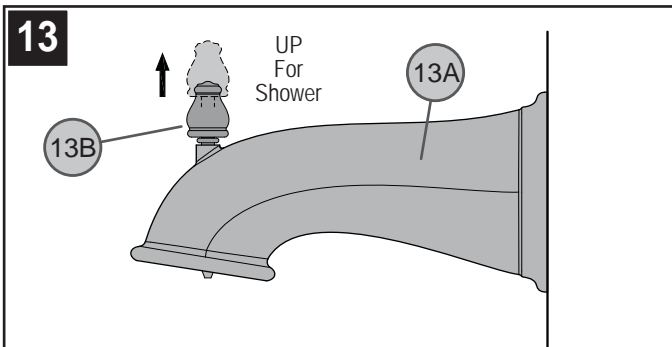
11 UNIT START UP

Turn on hot and cold water supplies, and check all connections for leaks.



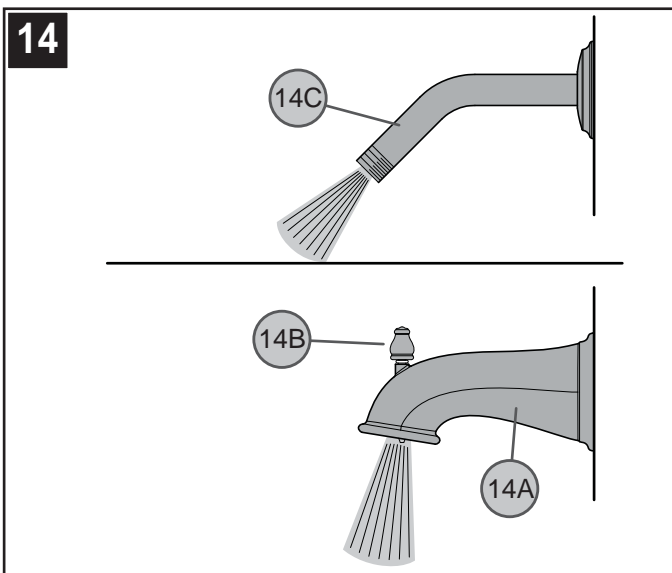
12 VALVE FUNCTION

By rotating the Lever Handle (12A) slightly counterclockwise, the valve will be fully activated to the "COLD" position. The water temperature can be increased by continuing to rotate the Lever Handle (12A) in a counterclockwise direction.



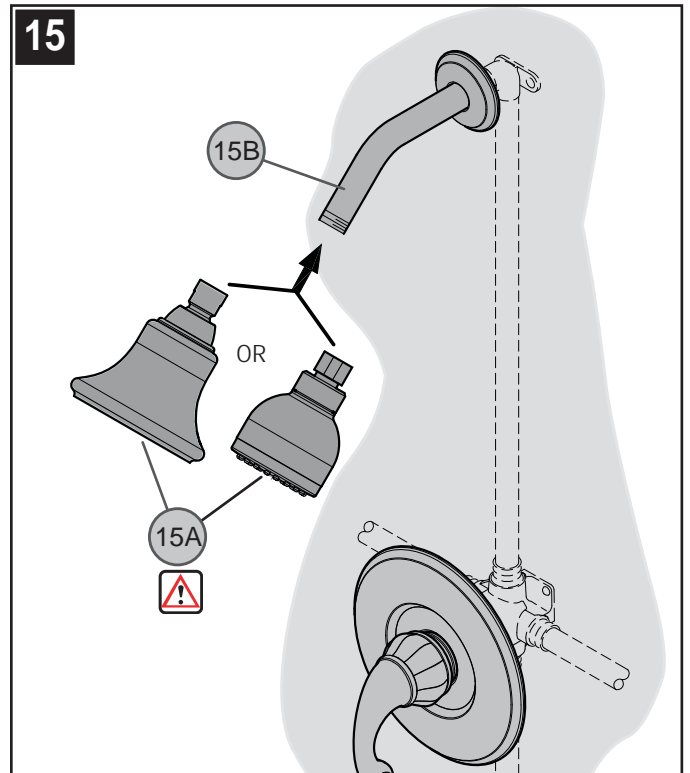
13 TUB SPOUT FUNCTION

When the valve is turned on, water normally flows through the Tub Spout (13A). To activate the shower, turn valve on and pull the Knob (13B) up. Hold on until water flows continuously from the shower arm.



14 FINAL FLUSHING

For final flushing, turn valve on and allow water to run through the Tub Spout (14A) for several minutes. Pull Spout Knob (14B) up to allow water to run through Shower Arm (14C). Allow water to run for several minutes until all foreign matter clears the line.

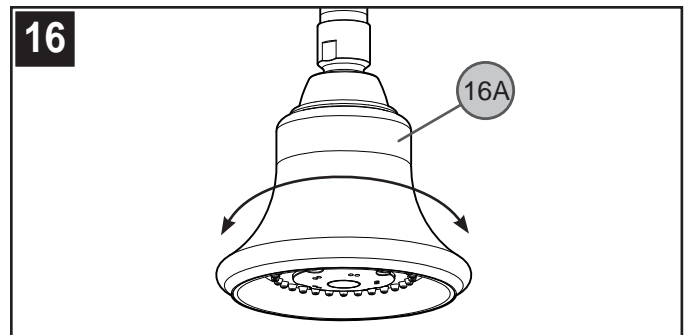


15 SHOWER HEAD INSTALLATION

Thread Shower Head (15A) onto Shower Arm (15B).



Make sure Shower Head (15A) is securely tightened to Shower Arm (15B).



16 SHOWER HEAD FUNCTION

To adjust spray, turn Outer Shell (16A) to a desired spray pattern (for multi-function shower head only).

MAINTENANCE & CARE



CAUTION: Maintenance

DISASSEMBLY

1. Replacement parts may be available at the store where you purchased your faucet.
2. When replacement parts are not available, please write or call Price Pfister Consumer Service.
3. Always turn off water and relieve pressure before working on your faucet.



NOTE: Trim Care

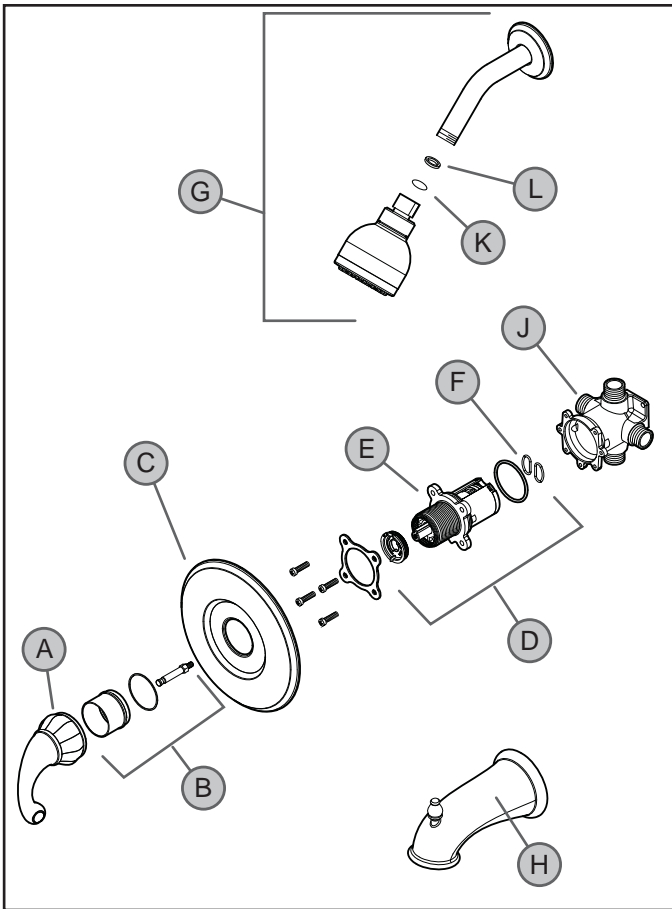
Cleaning Instructions:

For all Handles and decorative finishes, use only a soft damp cloth to clean and shine. Use of polish, detergents, abrasive cleaners, organic solvents or acid may cause damage. Use of other than a soft damp cloth will nullify our warranty!

Special Trim:

Trim products which contain Porcelain or other similar substance are not acceptable for public areas or Commercial use. Installation of Said Trim is at Users Risk!

TROUBLE SHOOTING TIPS



Temperature or flow does not remain consistent.

The Cartridge Assembly (D) may need cleaning. Shut off water supply. Remove Handle Assembly (A), unscrew Retainer Sleeve (B) and remove Flange (C). Remove Cartridge assembly (D) and inspect Cartridge (E) and inlets for debris or sediment and flush with water. Reassemble whole unit and test. If problem persists you may need to replace the Cartridge (E).



Sleeve (B) is too short.

Extension kit 910-563 is available at a nominal charge for valves which have been roughed-in too far back in the wall. The kit contains a one inch stem extension, and longer screw and a sleeve which is one inch longer than the 972-300.



Dripping from either the tub spout or shower head.

Clean the Cartridge Assembly (D). Check to ensure the two Oval O-Rings (F) on the back of the Cartridge (E) are in place. Reassemble cartridge, stem and bonnet assembly and handle. Turn on the water and test. If the unit still leaks, replace the Cartridge (E).



Make sure that both hot and cold water inlets are turned on.



Water flow is very low.

Check the Cartridge Assembly (D), for debris. Sediment where the water enters the Shower Head (G) can also cause this symptom.



Water starts out hot and becomes cooler as handle is rotated counter clockwise.

This is a potentially hazardous situation and should be corrected before using the unit. Check the hot and cold inlet positions (hot- left cold-right). If you have a back to back installation, (where hot and cold inlets are reversed) refer to Valve Body instruction sheets for back to back installation.



Water flows from the shower head while filling the tub.

Check the position of the Valve Body (J). The letters "SHWR" should be cast into the top and "TUB" on the bottom.



Water doesn't get hot enough.

Remove Handle (A), Sleeve (B) and Flange (C) and then refer to Valve Body instruction sheets for adjusting temperature range.



Water flows from the tub spout while using the shower.

The seal inside of the diverter mechanism may have become dislodged. The Spout (H) may need replacement.



Cleaning Shower Head

Over time, the screen (K) in your shower head may become clogged with debris. To clean the screen (K), unscrew shower head from shower arm and separate the seal (L) and screen (K). Rinse parts and replace.



1-800-PFAUCET (1-800-732-8238)

For Toll-Free Pfaucet information call
1-800-PFAUCET (1-800-732-8238)
or visit www.pricepfister.com

- Installation Support
- Care and Warranty Information

Price Pfister
Pf freshest Ideas in Pfaucets.

Le agradecemos su compra de este producto Pfister. Todos los productos Pfister se diseñan cuidadosamente y se prueban en fábrica para suministrar un uso sin problemas bajo condiciones normales. Este producto es fácil de instalar utilizando herramientas básicas y nuestras instrucciones con gráficos fáciles de seguir. Si tiene cualquier pregunta acerca de la instalación de su producto llame al 1-800-Pfaucet (1-800-732-8238).

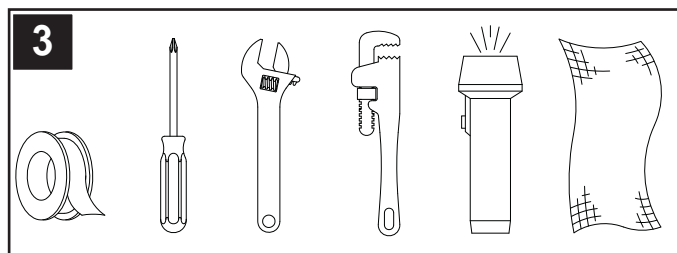
1 ANTES DE PROCEDER

ADVERTENCIA: Antes de proceder, lea completamente todas las instrucciones. Price Pfister recomienda llamar a un profesional si no se está seguro acerca de cómo instalar este producto. Este producto debe instalarse de acuerdo a los códigos de plomería y de construcción locales y estatales.

ADVERTENCIA: Este producto ha sido diseñado para funcionar con válvulas de equilibrio de presión serie **0X8**. No funciona con cualquier otro tipo. Por favor repase las instrucciones de instalación de la válvula **0X8** antes de instalar este producto.

2 CIERRE EL SUMINISTRO DE AGUA

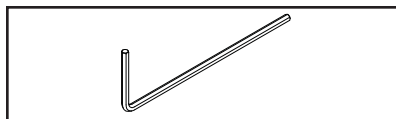
Ubique las entradas del suministro de agua y cierre las válvulas de suministro de agua. Generalmente se encuentran cerca del medidor de agua. Si se trata del reemplazo de una unidad existente, quite la unidad existente y limpie completamente la superficie de montaje.



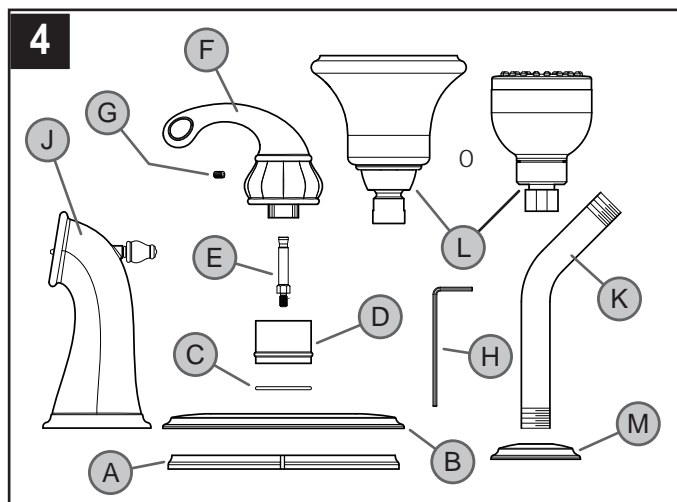
3 HERRAMIENTAS RECOMENDADAS

- Cinta para plomería PTFE o sello para roscas
- Destornillador en cruz
- Linterna de mano
- Llave ajustable
- Paño
- Llave para tuberías

Para instalar el conducto se necesita un acoplador para tuberías, así como otras herramientas adicionales.



Este producto incluye una llave hexagonal que se usa para apretar el tornillo de ajuste del núcleo.



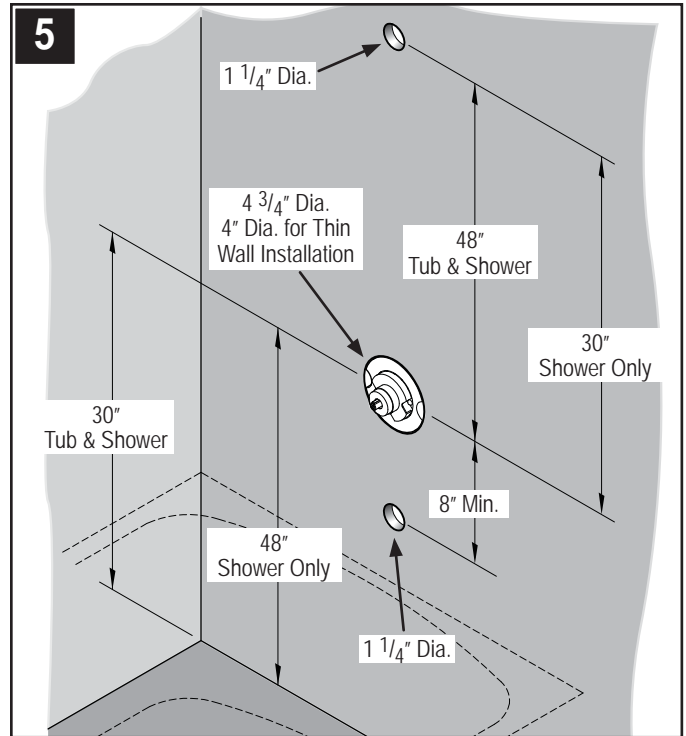
4 REVISIÓN DEL CONTENIDO DE LA CAJA

Luego de abrir la caja, verifique que todos los artículos siguientes se encuentran presentes.

- | | | |
|---------------------------|--------------------------|--------------------------|
| A Reborde para empaque | B Reborde para acabado | C Arandela |
| D Manguito para relención | E Vástago para extensión | F Núcleo y manija |
| G Tornillo para ajuste | H Llave hexagonal | J Conducto de desviación |
| K Brazo de la ducha | L Cabezal de la ducha | M Reborde de la ducha |

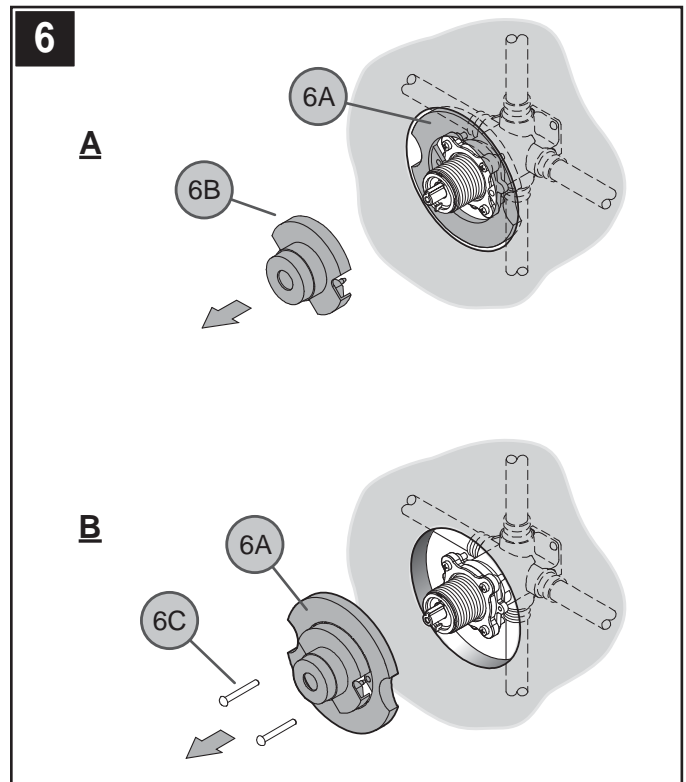
Si falta alguno de estos elementos, sírvase ponerse en contacto con el departamento de servicio al cliente de Price Pfister al 1-800-Pfaucet (1-800-732-8238).

PASOS PARA INSTALACIÓN



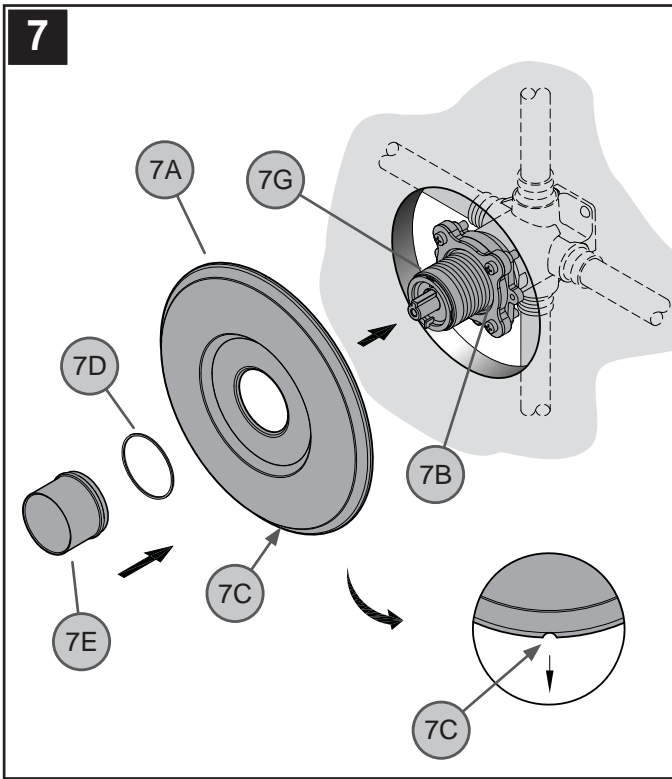
5 INSPECCIÓN DEL ÁREA DE TRABAJO

Verifique que los tamaños de los agujeros y sus posiciones en la pared sean los correctos.



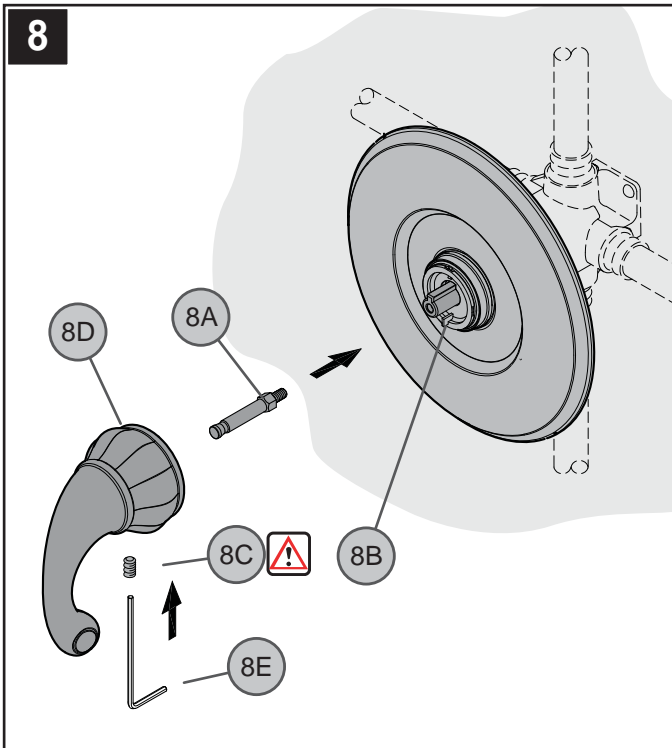
6 OPCIONES PARA CUBIERTA PROTECTORA PARA YESO

- A. En donde exista cubierta protectora para yeso (plasterguard), quite la sección central (6B) de la cubierta protectora para yeso (6A). El uso de las cubiertas protectoras para yeso es opcional en instalaciones normales.
- B. Si no se ha de instalar una cubierta protectora para yeso, quite los tornillos (6C), y la cubierta protectora para yeso (6A).




7 CÓMO COLOCAR EL REBORDE PARA ACABADO

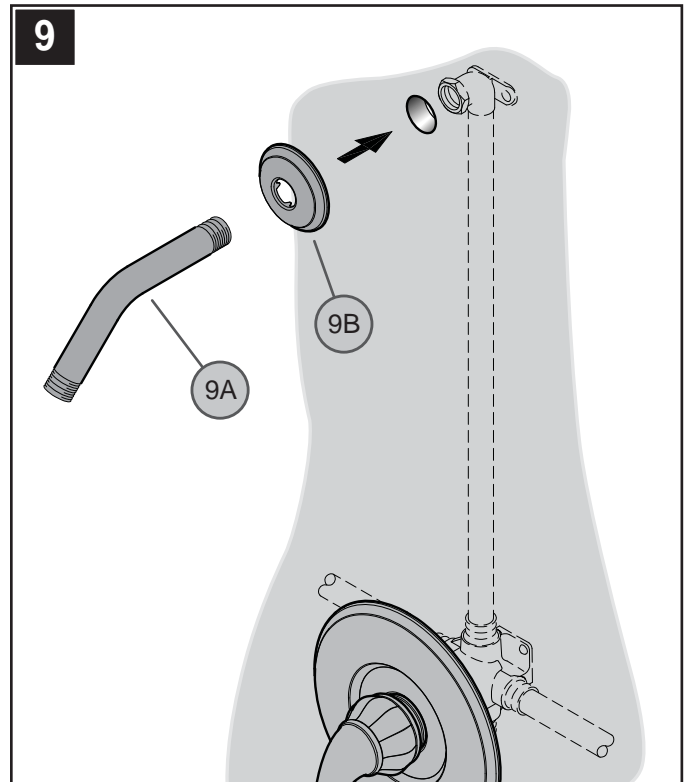
Coloque el reborde (7A) en la válvula (7B) con el agujero para drenaje (7C) en la parte inferior. Coloque la arandela para protección (7D) en el extremo corto del manguito para retención reversible (7E). Enrosque el manguito para retención (7E) en la sección roscada del vástago con bonete (7G). Apriete el manguito para retención (7E) con la mano hasta que el reborde (7A) quede comprimido suavemente con la superficie terminada de la pared. Si el extremo corto del manguito para retención (7E) es muy corto, dele vuelta para usar el lado largo.



8 CÓMO COLOCAR LAS MANIJAS

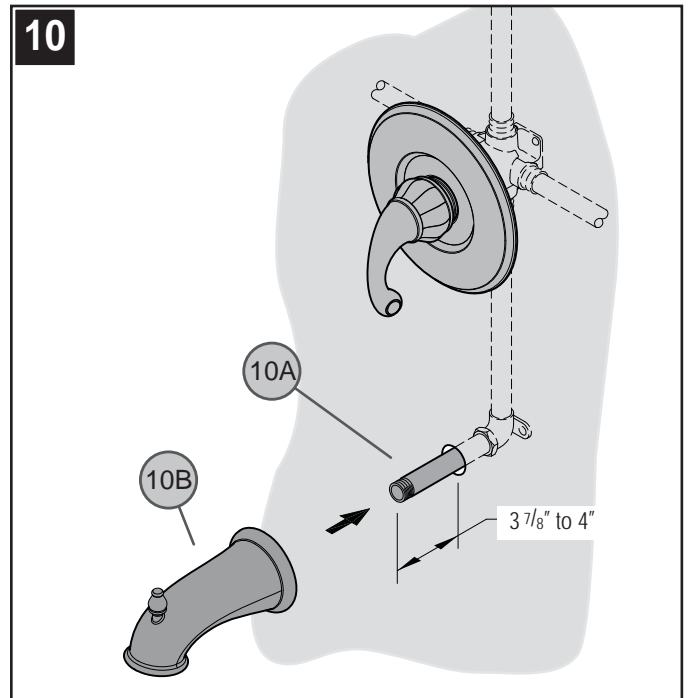
Enrosque la extensión del vástago (8A) en el vástago de la válvula (8B). Enrosque el tornillo de ajuste (8C) en la manija (8D) y gírelo solamente dos o tres revoluciones. Coloque la manija (8D) en la extensión del vástago (8A) y apriete el tornillo de ajuste (8C) usando la llave hexagonal (8E) que se suministra.

 Asegure de que el tornillo de ajuste (8C) esté apretado con seguridad en la manija (8D).



9 CÓMO INSTALAR EL BRAZO DE LA DUCHA

Introduzca el extremo del brazo de la ducha (9A) en el reborde de la ducha (9B). Coloque cinta para plomería PTFE en ambos extremos del brazo de la ducha (9A) siguiendo las instrucciones del fabricante. Enrosque el extremo del brazo de la ducha (9A) en el codo de la tubería dentro de la pared. Coloque el reborde de la ducha (9B) firmemente en la pared.

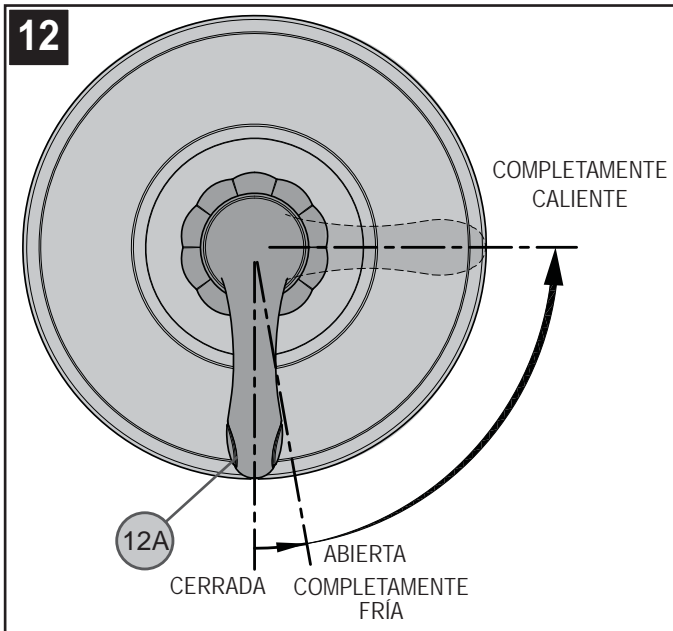


10 CÓMO INSTALAR EL CONDUCTO

Coloque cinta PTFE en ambos extremos del acoplador de la tubería (10A) (no se incluye). Enrosque el acoplador de la tubería (10A) en el codo dentro de la pared y apriételo con una llave para tuberías. El acoplador de la tubería (10A) debe salir entre 9,7 y 10 cm (3 7/8\"/>

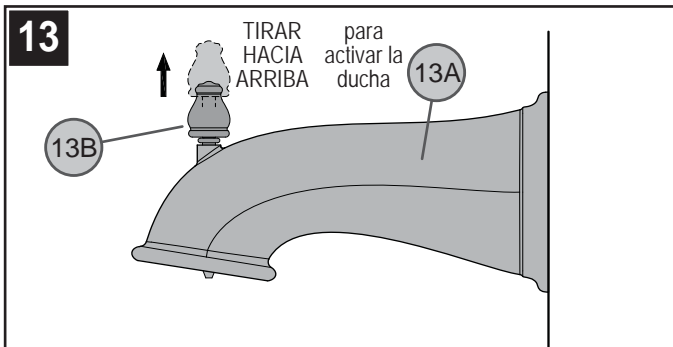
11 ACTIVACIÓN DE LA UNIDAD

Active el suministro de agua fría así como el de agua caliente, verifique que no hay fugas.



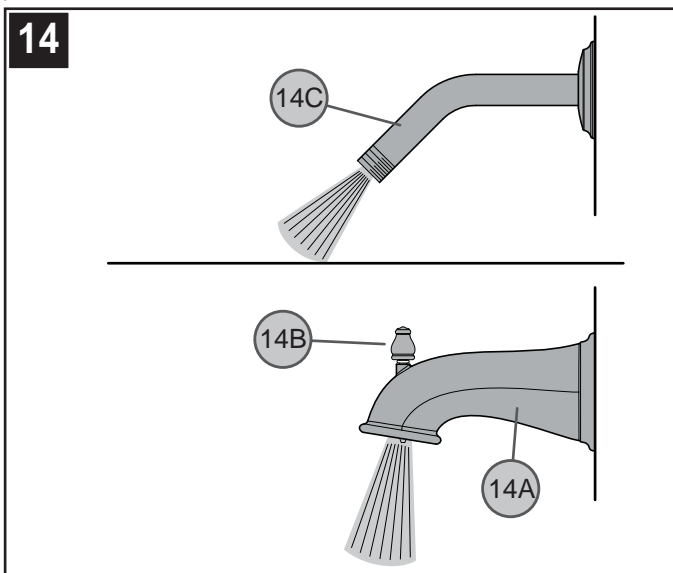
12 FUNCIONAMIENTO DE LA VÁLVULA

Al girar un poco la palanca de la válvula (12A) en el sentido contrario a las agujas del reloj, la válvula se activa completamente en la posición "FRÍA". Se puede aumentar la temperatura del agua al continuar girando la palanca (12A) en el sentido contrario a las agujas del reloj.



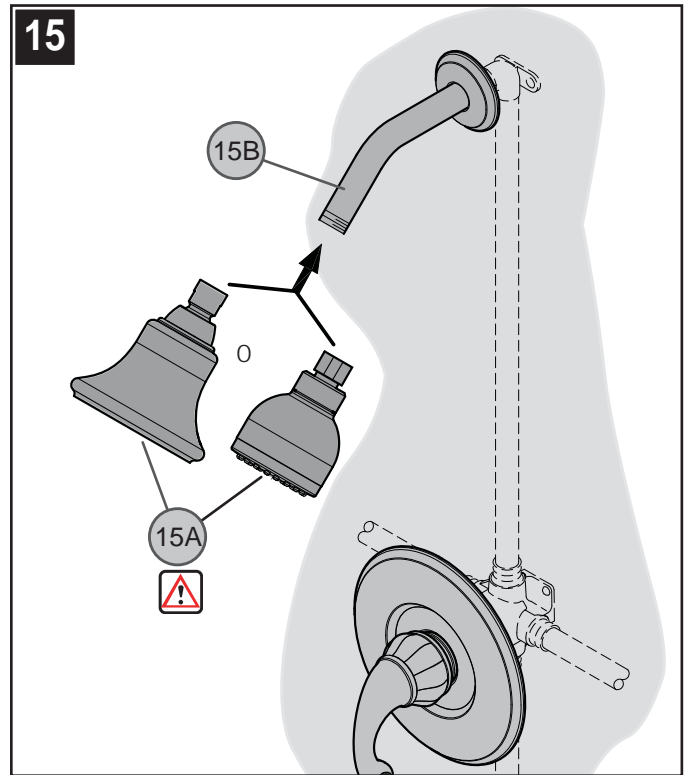
13 FUNCIONAMIENTO DEL CONDUCTO DE LA TINA

Cuando se activa la válvula, el agua normalmente fluye a través del conducto de la tina (13A). Para activar la ducha, active la válvula y tire de la perilla (13B) hacia arriba. Sosténgala arriba hasta que el agua fluya continuamente por la ducha.




14 ENJUAGUE FINAL

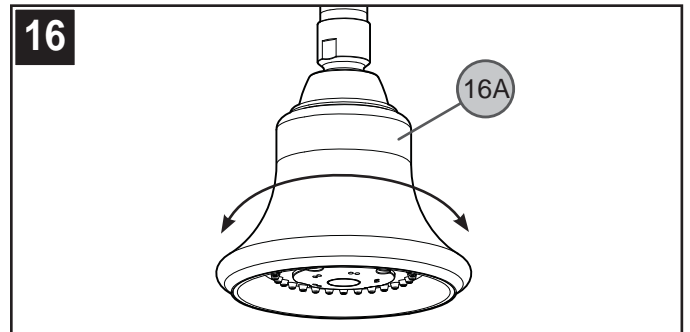
Para el enjuague final, active la válvula y deje que el agua corra a través del conducto de la tina (14A) durante varios minutos. Tire hacia arriba de la perilla del conducto (14B) para permitir que el agua corra por el brazo de la ducha (14C). Deje que el agua corra durante varios minutos hasta que salga cualquier sustancia de la línea.



15 CÓMO INSTALAR EL CABEZAL DE LA DUCHA

Enrosque el cabezal de la ducha (15A) en el brazo de la ducha (15B).

 Asegure de que la cabeza de la ducha (15A) esté apretada con seguridad en el brazo de la ducha (15B).



16 FUNCIONAMIENTO DE LA CABEZAL DE DUCHA

Para regular el rociado de la ducha, gire el cilindro exterior (16A) hacia el ajuste del rociado deseado (para la ducha de funcionamiento múltiple solamente).

CUIDADO Y MANTENIMIENTO

PRECAUCIÓN: Mantenimiento

CÓMO DESARMAR:

1. El almacén donde compró su grifo podría tener repuestos disponibles.
2. Cuando no hay repuestos disponibles, sírvase escribir o llamar al departamento de servicio al consumidor de Price Pfister.
3. Siempre antes de efectuar algún trabajo en su grifo, cierre el agua y elimine la presión.

NOTA: Cuidado del Acabado

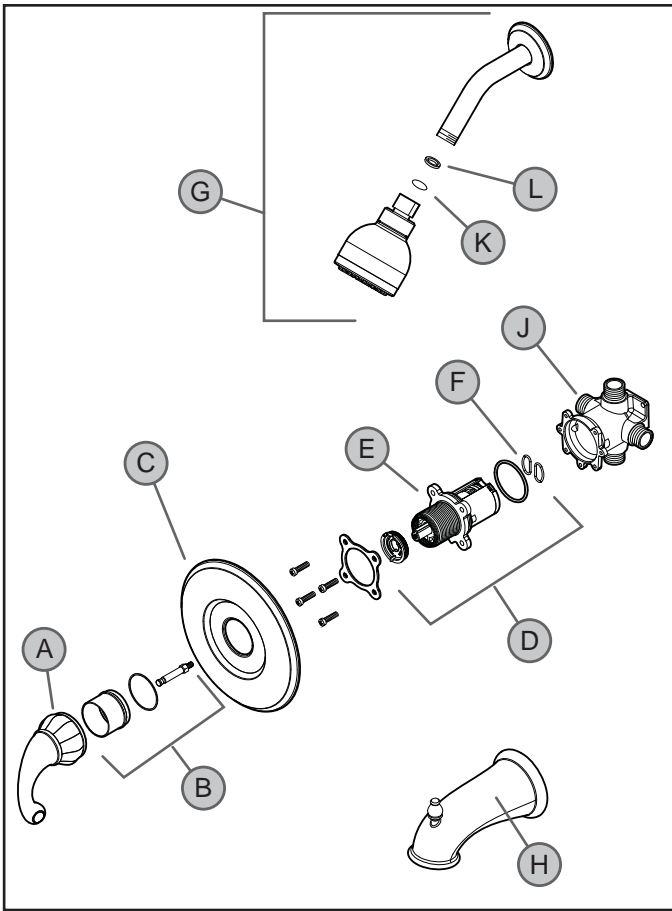
Instrucciones para limpieza:

Para limpiar y hacer brillar las manijas y el acabado decorativo use solamente un paño suave y húmedo. El uso de pulidores, detergentes, limpiadores abrasivos, solventes orgánicos o ácidos puede provocar daños. ¡El uso de algo más que un paño suave y húmedo invalida nuestra garantía!

Acabados especiales:

Los productos con acabados que contienen porcelana u otras sustancias similares no son aceptables para áreas públicas ni para usos comerciales. ¡Su instalación bajo tales circunstancias es bajo el riesgo del usuario!

CONSEJOS PARA LA SOLUCIÓN DE PROBLEMAS



La temperatura o el flujo no permanece constante.

Podría ser necesario limpiar el conjunto del cartucho (D). Desactive el suministro de agua. Quite el conjunto de la manija (A), desenrosque el manguito para retención (B) y quite el borde (C). Quite el conjunto del cartucho (D) y verifique que no haya basura o sedimento en el cartucho (E) así como en las entradas, luego enjuáguelos con agua. Ensamble de nuevo la unidad y pruébela. Si el problema continúa, podría ser necesario reemplazar el cartucho (E).



El manguito (B) es muy corto.

Para las válvulas que han sido colocadas muy dentro de la pared se encuentra disponible el juego para extensión 910-563 a costo nominal. El juego contiene una extensión de una pulgada para el vástago, tornillos más largos y un manguito que es una pulgada más largo que el 972-300.



El conducto de la tina o el cabezal de la ducha gotea.

Limpie el conjunto del cartucho (D). Compruebe que los dos aros tóricos ovalados (F) en la parte trasera del cartucho (E) estén en su lugar. Vuelva a ensamblar el cartucho, el conjunto de vástago bonete, y la manija. Active el agua y compruebe el sistema. Si la unidad gotea todavía, reemplace el cartucho.



Asegúrese de que tanto el agua caliente como la fría estén activadas.



El flujo de agua es muy bajo.

Compruebe que no hay basura en el conjunto del cartucho (D). El sedimento en la parte en que el agua entra al cabezal de la ducha (G) podría también provocar este problema.



El agua sale caliente primero y se enfría al girar la palanca en el sentido contrario al de las agujas del reloj.

Esta es una situación potencialmente peligrosa y se le debe corregir antes de usar la unidad. Verifique la posición de las entradas para agua fría y caliente (caliente a la izquierda, fría a la derecha). Si tiene una instalación invertida (con las entradas de agua fría y caliente al revés) vea las instrucciones para instalación invertida en las hojas de instrucciones acerca del cuerpo de la válvula.



Sale agua del cabezal de la ducha mientras se está llenando la tina.

Revise la posición del cuerpo de la válvula (J). Las letras "SHWR" deben quedar en la parte superior y las letras "TUB" en la parte inferior.



El agua no se calienta lo suficiente.

Quite la manija (A), el manguito (B) y el borde (C) y luego vea las instrucciones para ajustar el rango de temperatura en las hojas de instrucciones para el cuerpo de la válvula.



Sale agua del conducto de la tina mientras se usa la ducha.

Puede haberse salido el sello dentro del mecanismo de desviación. Podría ser necesario reemplazar el conducto (H).



Limpieza De La Cabeza De Ducha

Con el tiempo, la pantalla (K) en su cabeza de ducha puede taparse con residuos. Para limpiar la pantalla (K), desatornille la cabeza de ducha del brazo de la ducha y separe el sello (L) y la pantalla (K). Enjuague las piezas y vuelva a colocarlas.



1-800-PFAUCET (1-800-732-8238)

Para obtener información mediante llamadas gratis, llame al
1-800-PFAUCET (1-800-732-8238) o visite
www.pricepfister.com

- Apoyo a instaladores
- Información sobre cuidado y garantías

Price Pfister
Pf freshest Ideas in Pfaucets

Merci d'avoir acheté ce produit Price Pfister. Tous les produits Price Pfister sont fabriqués avec soin et contrôlés à l'usine pour offrir une longue durée de service sans problème dans des conditions d'utilisation normales. Il est facile de poser ce produit à l'aide d'un outillage de base et de nos illustrations très claires. Pour toute question concernant la pose de ce mitigeur de salle de bain, appeler le 1-800-Pfaucet (1-800-732-8238).

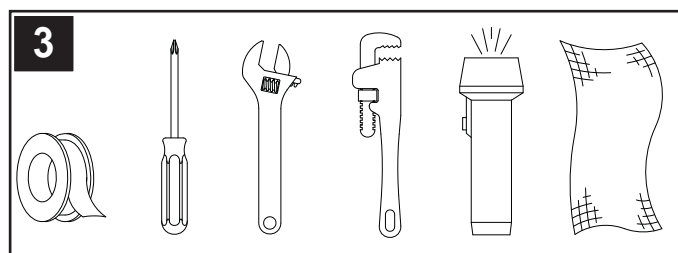
1 AVANT DE PROCÉDER À LA POSE

AVERTISSEMENT : lire attentivement toutes les instructions avant de procéder à la pose. Price Pfister recommande de faire appel à un professionnel en cas d'incertitude quant à l'installation de ce produit ! Ce produit doit être installé conformément à l'ensemble de la réglementation locale et provinciale applicable à la plomberie et à la construction.

AVERTISSEMENT : ce produit est conçu pour être utilisés avec les mitigeurs à régulation de pression Price Pfister de la série OX8. Il ne s'adapte à aucun autre produit. S'il vous plaît réviser les instructions d'installation de la valeur OX8 avant d'installer ce produit.

2 COUPURE DE L'ARRIVÉE D'EAU

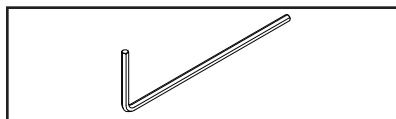
Repérer les arrivées d'eau et fermer leurs robinets. Ces robinets se trouvent généralement à côté du compteur d'eau. En cas de remplacement d'une garniture existante, la déposer et nettoyer soigneusement la surface de montage.



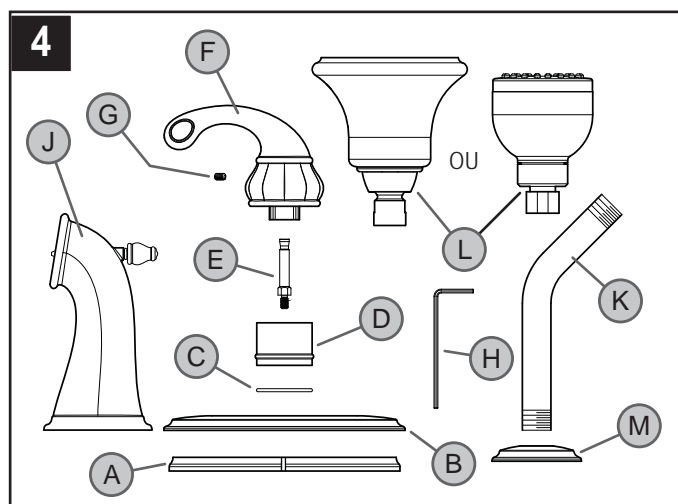
3 OUTILLAGE RECOMMANDÉ

- Ruban PTFE de plombier ou mastic d'étanchéité de filetage
- Tournevis cruciforme
- Clé à molette
- Clé serre-tube
- Lampe de poche
- Chiffon

L'installation exige un manchon fileté pour tuyau pour la pose du bec, ainsi que d'autres outils.



Ce produit est fourni avec une clé mâle coudée destinée au serrage d'une vis de pression placée dans le moyeu.



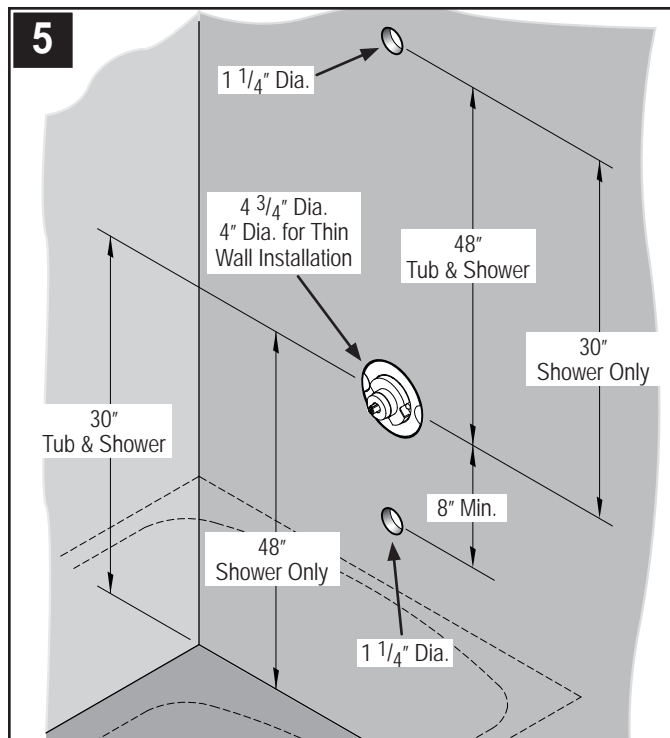
4 VÉRIFICATION DU CONTENU DE LA BOÎTE

Lors de l'ouverture de la boîte, s'assurer qu'elle contient toutes les pièces suivantes :

- A Bride d'étanchéité
- B Bride de garniture
- C Rondelle
- D Manchon de retenue
- E Rallonge de tige
- F Moyeu et manette
- G Vis de pression
- H Clé mâle coudée
- J Bec à mécanisme de dérivation
- K Bras de douche
- L Douchette
- M Bride de douche

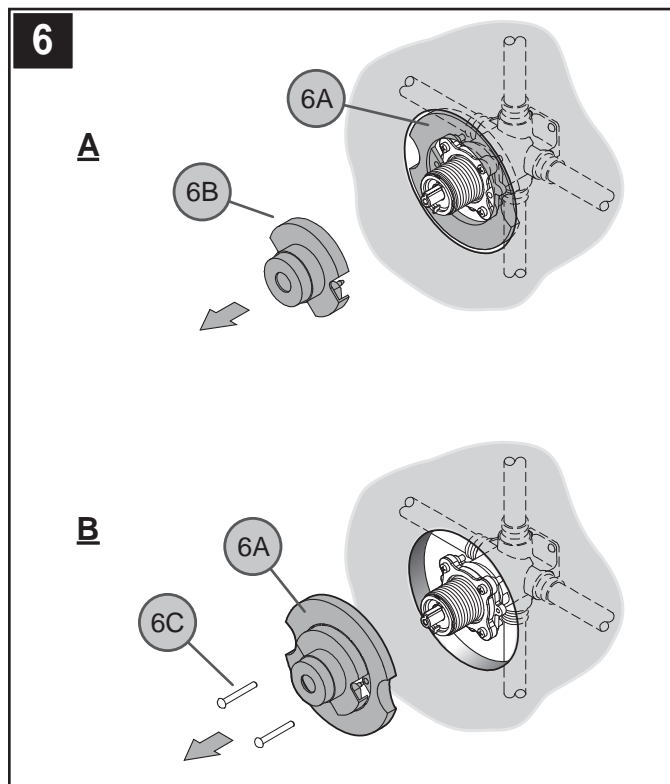
Si l'une quelconque de ces pièces est manquante, bien vouloir contacter le service après-vente de Price Pfister au 1-800-Pfaucet (1-800-732-8238).

ÉTAPES DE LA POSE



5 CONTRÔLE DE LA ZONE DE TRAVAIL

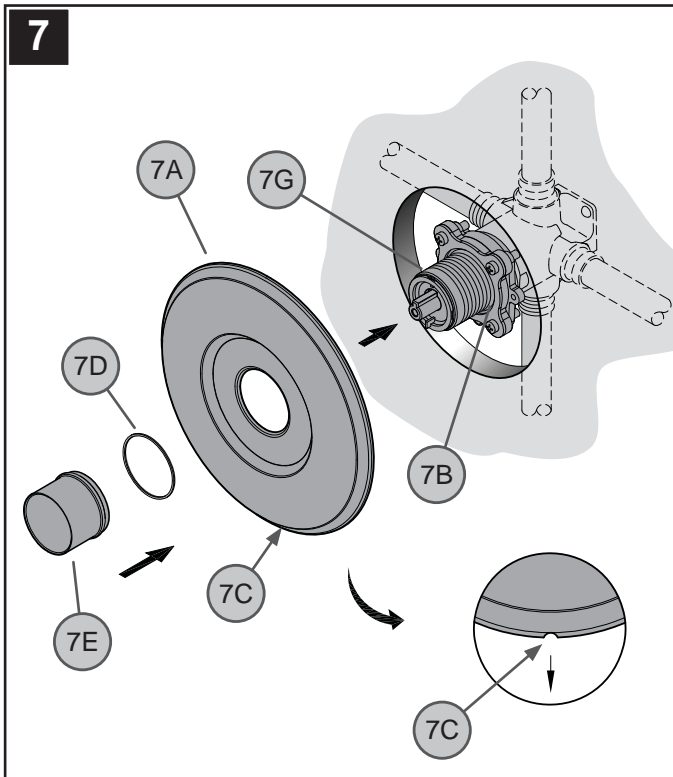
Vérifier que le diamètre et la position des trous sur le mur sont corrects.



6 OPTIONS DE PARE-PLÂTRE

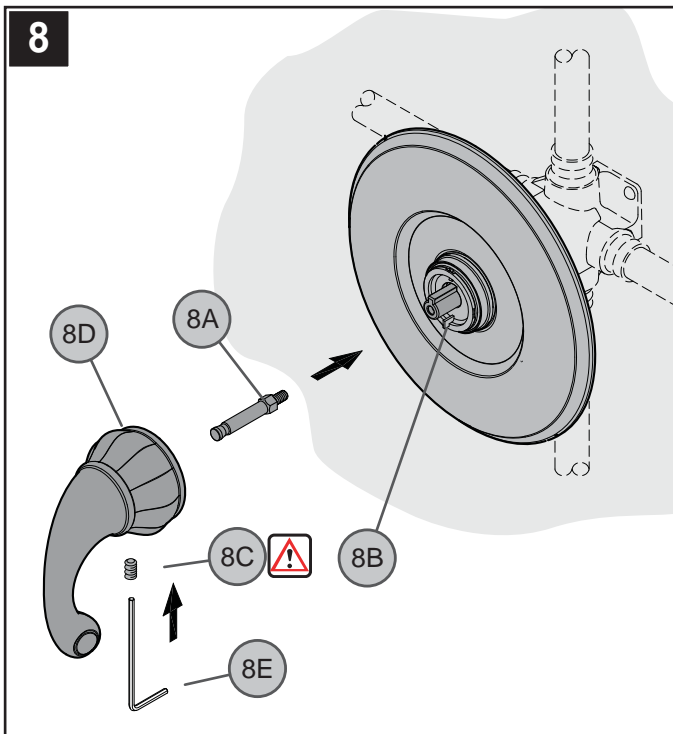
A. En cas de pose avec pare-plâtre, éjecter la section centrale (6B) du pare-plâtre (6A). L'utilisation d'un pare-plâtre est facultative pour les installations standard.

B. En cas de pose sans pare-plâtre, retirer la vis (6C) et le pare-plâtre (6A).




7 MONTAGE DE LA BRIDE DE GARNITURE

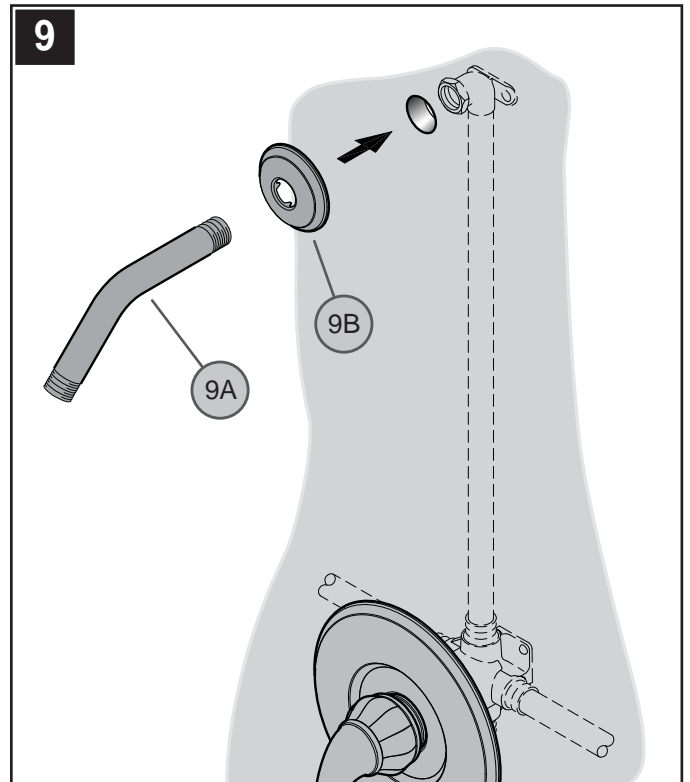
Positionner la bride (7A) sur le mitigeur (7B) en plaçant le trou de vidange (7C) en bas. Placer la rondelle protectrice (7D) sur le côté le plus court du manchon de retenue réversible (7E). Visser le manchon (7E) sur la partie filetée de l'ensemble tige/chapeau (7G). Serrer le manchon de retenue (7E) avec les doigts jusqu'à ce que la bride (7A) soit au ras de la surface du mur fini. Si le côté le plus court du manchon de retenue (7E) est trop court, retourner celui-ci pour utiliser son côté le plus long.



8 FIXATION DE LA MANETTE

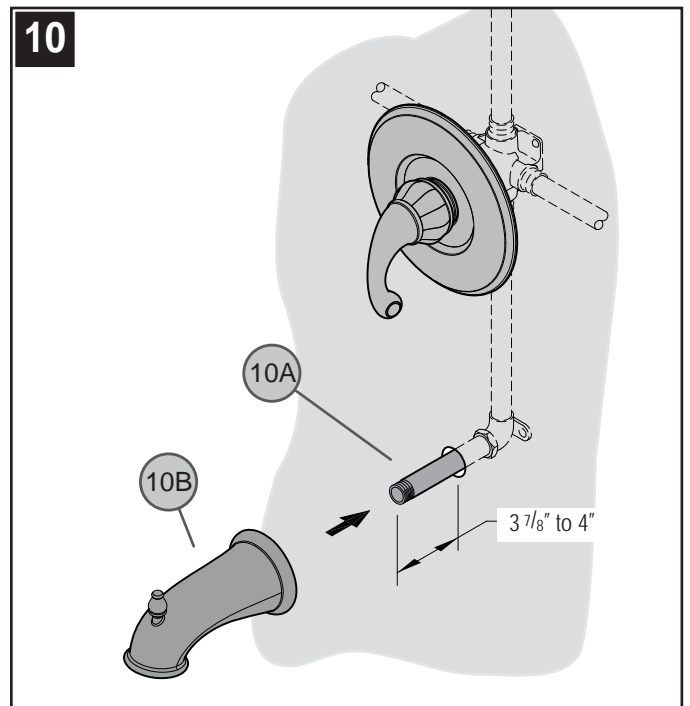
Visser la rallonge de tige (8A) sur la tige (8B) du mitigeur. Serrer la vis de pression (8C) de trois ou quatre tours seulement dans la manette (8D). Placer la manette (8D) sur la rallonge de tige (8A) et serrer la vis de pression (8C) à l'aide de la clé mâle coudée (8E) fournie.

 Assurez-vous que la vis de pression (8C) est solidement serrée à la manette (8D).



9 POSE DU BRAS DE DOUCHE

Insérer le côté le plus long du bras de douche (9A) au travers de la bride de douche (9B). Coller du ruban PTFE de plombier sur les deux extrémités du bras de douche (9A) conformément aux directives du fabricant. Visser le côté le plus long du bras (9A) dans le coude qui se trouve à l'intérieur du mur. Faire glisser la bride de douche (9B) pour la serrer contre le mur.

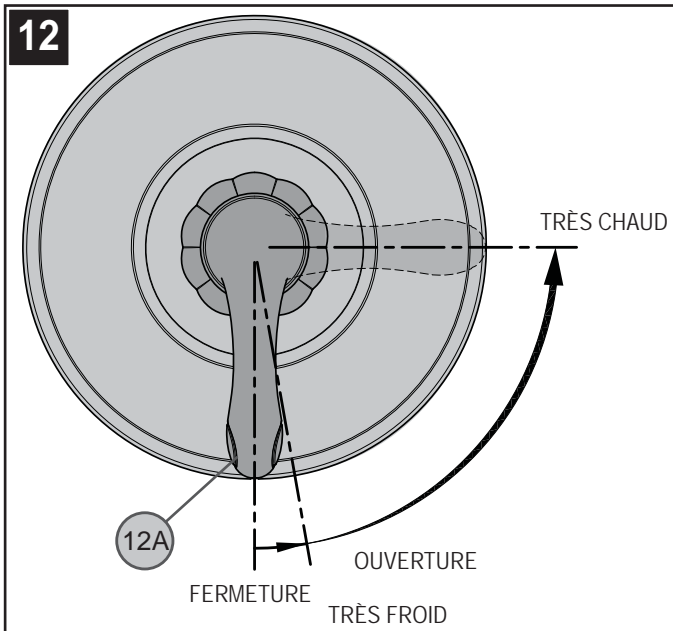


10 POSE DU BEC

Coller du ruban PTFE de plombier sur les deux extrémités du manchon fileté (10A) (non fourni). Visser le manchon fileté (10A) dans le coude qui se trouve à l'intérieur du mur et le serrer à l'aide d'une clé serre-tube. Le manchon fileté (10A) doit dépasser de 9,7 à 10 cm (3 7/8 à 4 po) du mur fini. Visser le bec de baignoire (10B) sur le manchon fileté (10A) et le serrer jusqu'à ce qu'il soit dans la position correcte contre le mur fini.

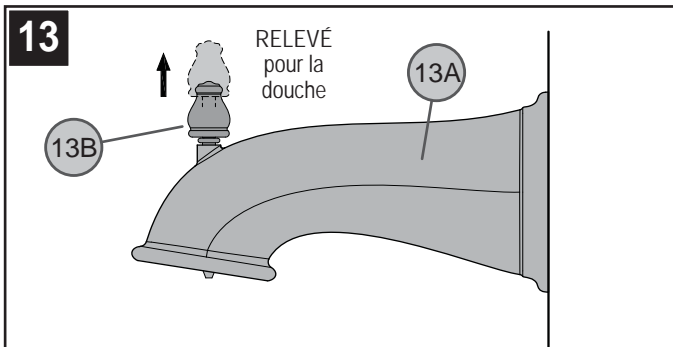
11 MISE EN SERVICE DE L'APPAREIL

Ouvrir les arrivées d'eau chaude et d'eau froide et contrôler l'étanchéité de tous les branchements.



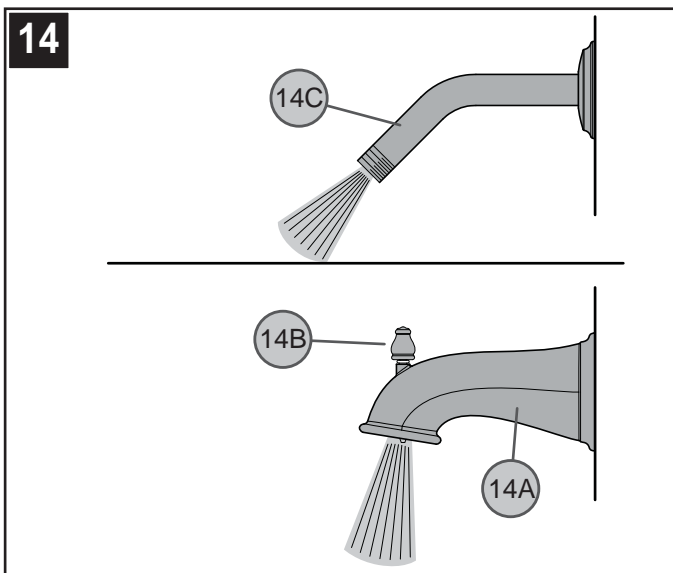
12 FONCTIONNEMENT DU MITIGEUR

Lorsqu'on tourne légèrement la manette (12A) dans le sens antihoraire, le mitigeur est ouvert en position d'eau très FROIDE. Il est possible de faire augmenter la température de l'eau en continuant à tourner la manette (12A) dans le sens horaire.



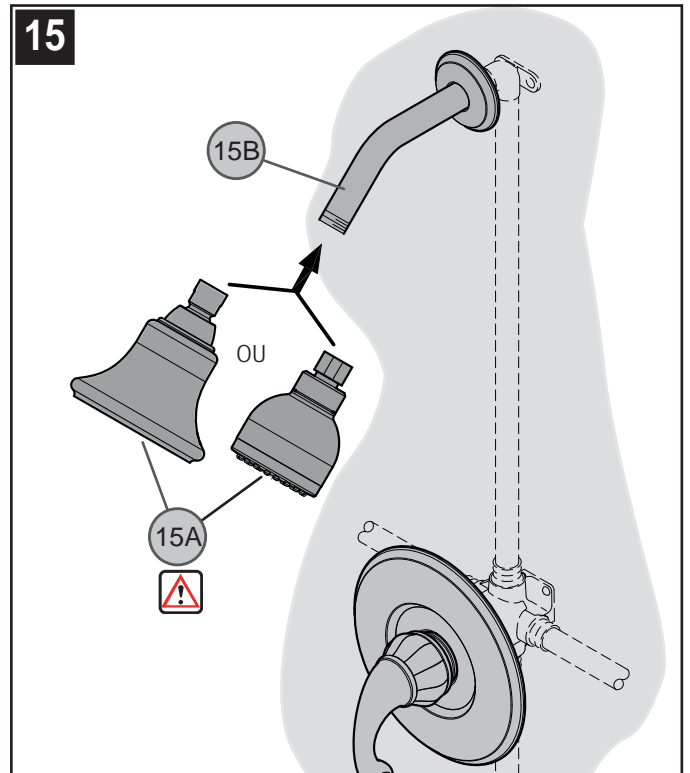
13 FONCTIONNEMENT DU BEC DE BAINOIRE

Lorsque le mitigeur est ouvert, l'eau s'écoule normalement par le bec de baignoire (13A). Pour activer la douche, ouvrir le mitigeur et tirer sur le bouton (13B). Retenir celui-ci jusqu'à ce que l'eau s'écoule sans interruption du bras de douche.



14 RINÇAGE FINAL

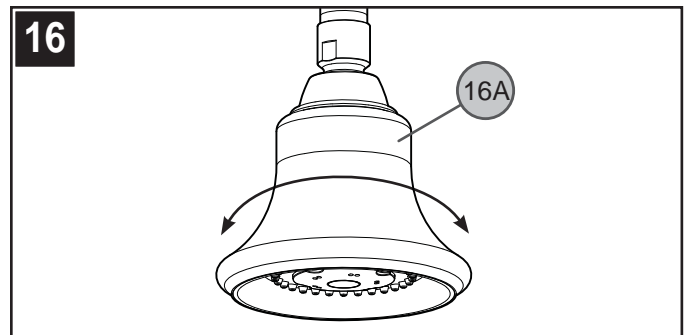
Pour effectuer un rinçage final, ouvrir le mitigeur et laisser l'eau s'écouler du bec de baignoire (14A) pendant quelques minutes. Tirer sur le bouton (14B) du bec pour permettre à l'eau de circuler dans le bras de douche (14C) pendant quelques minutes jusqu'à ce que tous les corps étrangers aient été évacués de la tuyauterie.



15 MISE EN PLACE DE LA DOUCHETTE

Visser la douchette (15A) sur le bras de douche (15B).

Assurez-vous que la douchette (15A) est solidement serrée au bras de douche (15B).



16 FONCTIONNEMENT DE LA DOUCHETTE

Pour régler le jet, tourner le corps extérieur (16A) jusqu'à obtenir la forme de jet désirée (pour la tête multifonctionnelle de douche seulement).

ENTRETIEN ET SOINS

ATTENTION : entretien DÉMONTAGE

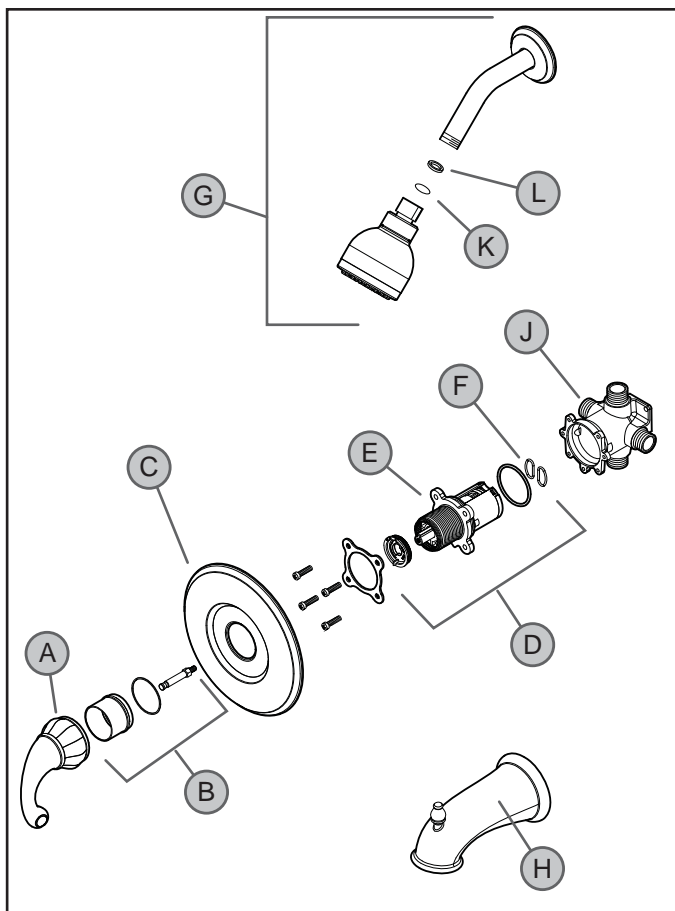
1. Il se peut que les pièces de rechange soient disponibles dans le magasin dans lequel le mélangeur a été acheté.
2. Lorsque des pièces de rechange ne sont pas disponibles, bien vouloir contacter le département du service après-vente de Price Pfister par courrier ou par téléphone.
3. **Toujours couper les arrivées d'eau et dépressuriser avant de travailler sur le mélangeur.**

REMARQUE : entretien des garnitures

Instructions de nettoyage :
N'utiliser qu'un chiffon humide pour nettoyer et polir toutes les manettes et ornements décoratives. L'utilisation de pâte à polir, de détergents, de produits nettoyants abrasifs, de solvants organiques ou d'acide peut endommager ces pièces. L'utilisation d'autre chose qu'un chiffon humide annulera la garantie !

Garnitures spéciales : les garnitures contenant de la porcelaine ou une autre substance similaire ne sont pas acceptables dans les lieux publics ou les établissements commerciaux. La pose de telles garnitures se fait aux risques de l'utilisateur.

CONSEILS DE DÉPANNAGE



La température ou le débit est instable.

Il se peut que l'ensemble cartouche (D) doive être nettoyé. Couper l'arrivée d'eau. Retirer la manette (A), dévisser le manchon de retenue (B) et enlever la bride (C). Retirer l'ensemble cartouche (D), puis examiner la cartouche elle-même (E) et les entrées pour voir si des débris ou des dépôts s'y sont accumulés et les rincer à l'eau. Remonter l'ensemble et faire un essai. Si le problème persiste, il peut s'avérer nécessaire de remplacer la cartouche (E).



Le manchon (B) est trop court.

Un kit de rallonge 910-563 d'un prix minime est disponible pour les mitigeurs qui ont été posés trop profondément dans le mur. Le kit se compose d'une rallonge de tige de 25 mm (1 po), d'une vis plus longue et d'un manchon d'une longueur supérieure de 25 mm (1 po) à celle du 972-300.



Égouttement du bec de baignoire ou de la douche.

Nettoyer l'ensemble cartouche (D). Le vérifier pour s'assurer que les deux joints toriques ovales (F) qui se trouvent au dos de la cartouche (E) sont en place. Remonter la cartouche, la tige et l'ensemble chapeau/manette. Ouvrir l'arrivée d'eau et faire un essai. Si la fuite persiste, remplacer la cartouche (E).



S'assurer que les arrivées d'eau chaude et d'eau froide sont toutes deux ouvertes.



Le débit d'eau est très faible.

Vérifier l'ensemble cartouche (D) pour voir si des débris s'y sont accumulés. La présence de dépôts à l'endroit où l'eau pénètre dans la douche (G) peut également causer ce symptôme.



L'eau est chaude quand elle commence à couler et refroidit lorsque la manette est tournée dans le sens antihoraire.

Cette situation est potentiellement dangereuse et doit être corrigée avant l'utilisation du mitigeur. Vérifier la position des arrivées d'eau chaude et d'eau froide (chaud-gauche, froid-droite). En cas d'installation dos à dos (dans laquelle les arrivées d'eau chaude et d'eau froide sont interverties), se reporter aux fiches d'instructions relatives au corps de mitigeur pour ce type d'installation.



De l'eau s'écoule de la douche lors du remplissage de la baignoire.

Vérifier la position du corps du mitigeur. Les lettres SHWR (douche) doivent se trouver en haut et « TUB » (bain) en bas.



L'eau ne devient pas assez chaude.

Retirer la manette (A), le manchon (B) et la bride (C), puis se reporter aux fiches d'instructions relatives au corps de mitigeur pour régler la plage de température.



De l'eau s'écoule du bec de la baignoire pendant l'utilisation de la douche.

Le joint qui se trouve à l'intérieur du mécanisme de dérivation peut s'être délogé. Il est également possible que le bec (H) doive être remplacé.



Nettoyage de la Douche

Avec le temps, l'écran (K) dans votre douche peut devenir obstrué par les débris. Pour nettoyer l'écran (K), dévissez la douche du bras de douche et séparez le joint (L) et l'écran (K). Rincer les pièces et les remettre en place.



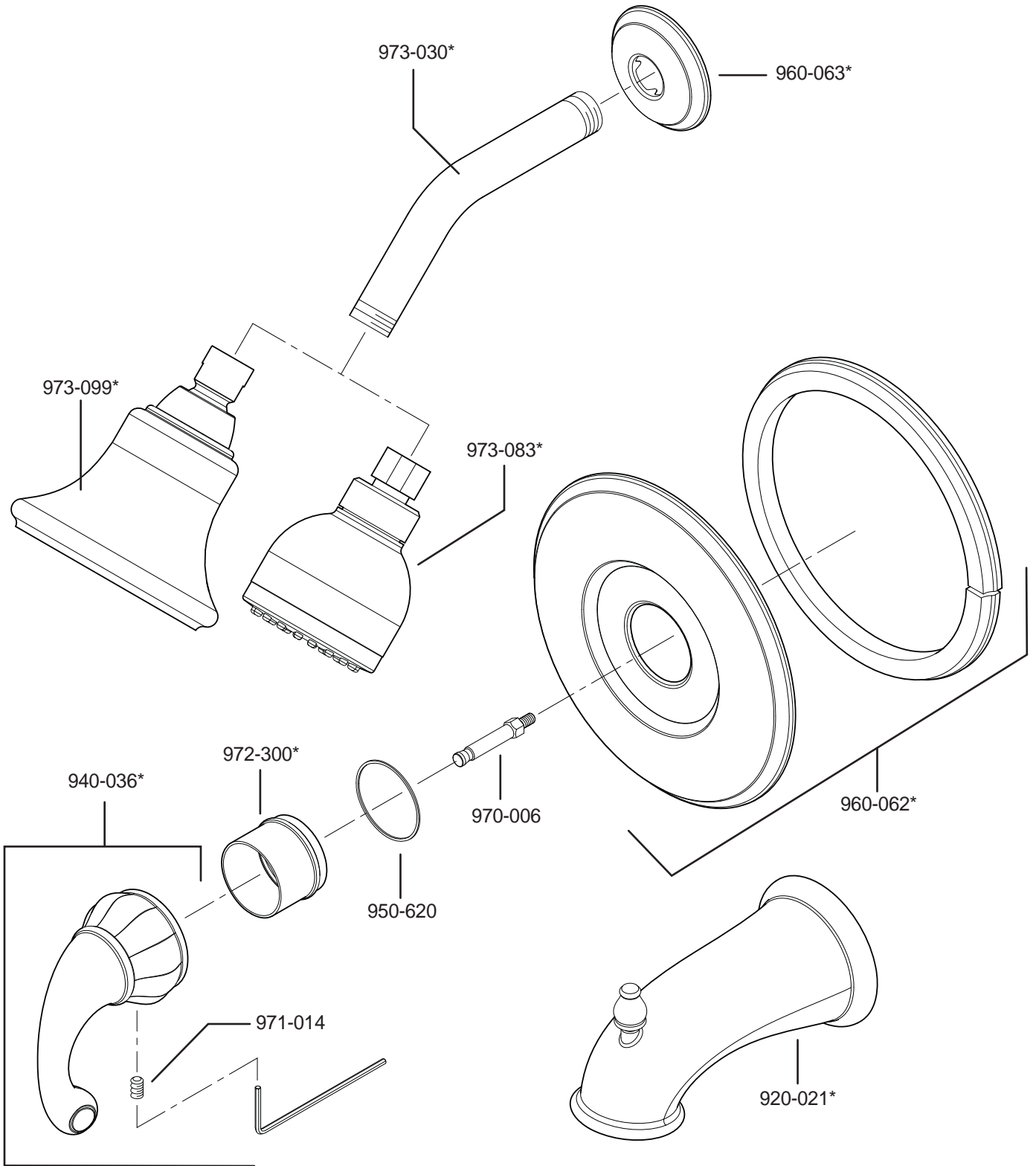
1-800-PFAUCET (1-800-732-8238)

Pour les renseignements concernant le service sans frais de Pfaucet, appelez 1-800-PFAUCET (1-800-732-8238) appel ou visite www.pricepfister.com

- Assistance à l'installation
- Informations sur l'entretien et la garantie

Price Pfister
Pfreshest Ideas in Pfaucets

R89 808



	English	Español	Français
*	Letter Designates Finish	La Letra Indica el Terminado	La Lettre Designe La Fini
A	Polished Chrome	Cromo Pulido	Chrome Poli
J	PVD Brushed Nickel	PVD Niquel Cepillado	PVD Nickel Brosse
V	PVD Polished Brass	PVD Latón Pulido	PVD Laiton Poli
Y	Tuscan Bronze	Bronce Toscano	Bronze Le Toscan

Price Pfister™

 Pfreshet Ideas in Pfaucets.

19701 DaVinci
Lake Forest, CA 92610
Phone: 1-800-Pfaucet
www.pricepfister.com

A  **BLACK & DECKER** COMPANY