

- GT572-VRVBG Finish(BG)
- GT572-VRVC Finish(C)
- GT572-VRVD Finish(D)
- GT572-VRVGS Finish(GS)
- GT572-VRVSDB Finish(SDB)

## Specifications

### Features

- 1.8 GPM Flow Rate
- 15.5" Extended Hose Length
- 360° Rotating Spout
- 2 Function Pull-Down Sprayer (Spray and Stream)
- Magnetic Spray Head Docking
- 3/8" Connection
- Nylon Braided Hose
- Nylon Flex-Line Supply Lines
- Forward Handle Operation
- Pfast Connect™
- TiteSeal™ Technology
- Optional Handles Available: Order HHL-GTVRV\* Separately
- Pforever Seal™ Ceramic Disc Valve
- Limited Lifetime Warranty

- Magnetic Spray Head
- Pforever Seal™

### Code Compliance

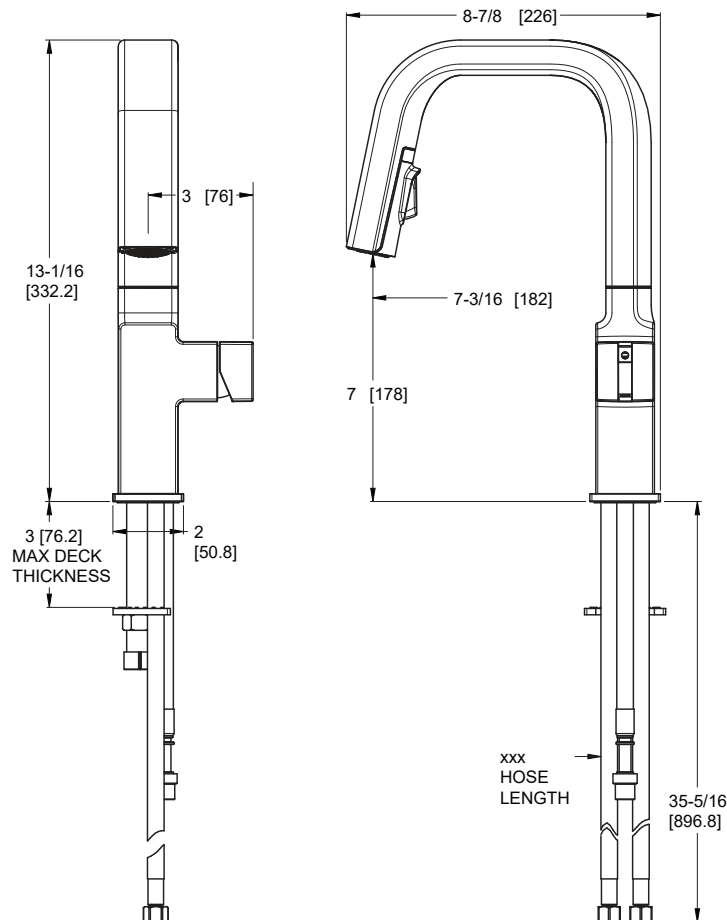


Pfister products are designed and manufactured in compliance with the following standards and codes:

- IAPMO Certified to ASME A112.18.1/CSA B125.1 including:
  - ASME A112.18.3 (Backflow Prevention)
- NSF/ANSI/CAN61:Q≤1
- CEC Certified/CALGreen compliant
- ADA Compliant - ANSI A117.1 (Lever Handles Only)



## Dimensions



Ø1-3/8 Min to Ø1-1/2 Max. Deck Hole Openings