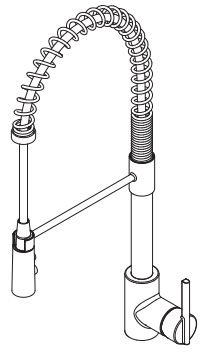


Brislin™ Culinary Faucet

- GT529-BICC Finish(C)
- GT529-BICB Finish(B)
- GT529-BICBG Finish(BG)
- GT529-BICS Finish(S)



Specifications

Features

- 1.5 GPM Flow Rate
- 2 Function Sprayer (Spray and Stream)
- Integrated 32" Nylon Braided Supply Lines with 3/8" Compression Fittings
- 360° Rotating High Arc Spout
- Nylon Pull-Down Hose
- Forward Handle Operation
- Optional Deckplate, Order 961-276* Separately
- TiteSeal™ Technology
- Pforever Seal™ Ceramic Disc Valve
- Limited Lifetime Warranty

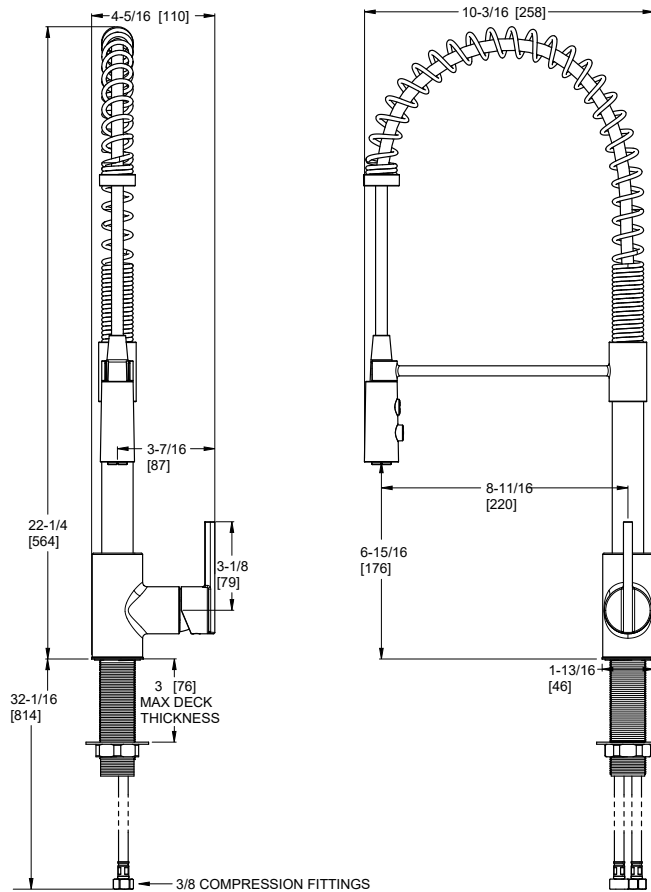
Code Compliance

Pfister products are designed and manufactured in compliance with the following standards and codes:

- IAPMO Certified to ASME A112.18.1/CSA B125.1 including:
 - ASME A112.18.3 (Backflow Prevention)
- NSF/ANSI/CAN61:Q≤1
- CEC Certified/CALGreen compliant
- ADA Compliant - ANSI A117.1 (Lever Handles Only)



Dimensions



Optional Aerators Available	
GPM	Part Number
0.5 GPM	941-818
1.0 GPM	941-450



Optional Deckplate

Ø1-3/8 Min to Ø1-1/2 Max. Deck Hole Openings