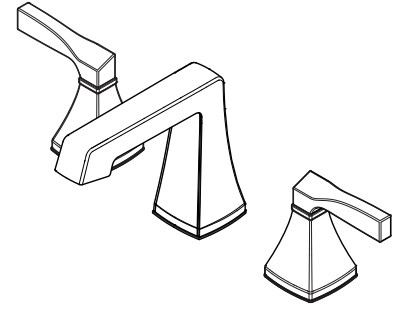


- LG49-HTOBG Finish(BG)
- LG49-HTOC Finish(C)
- LG49-HTOGS Finish(GS)
- LG49-HTOSDB Finish(SDB)



Specifications

- Push & Seal™ Pop-Up
- Pforever Seal™

Features

- 1.2 GPM Flow Rate
- Adjustable 3-Hole Installation
- Fixed Hubs
- Pfaster Connect™ Adapter Technology
- Spot Defense™ Finish Resists Spots and Fingerprints (GS & SDB Finish Only)
- TiteSeal™ Technology
- Push & Seal™ Pop-Up
- Pforever Seal™ Ceramic Disc Valves
- Limited Lifetime Warranty



Code Compliance

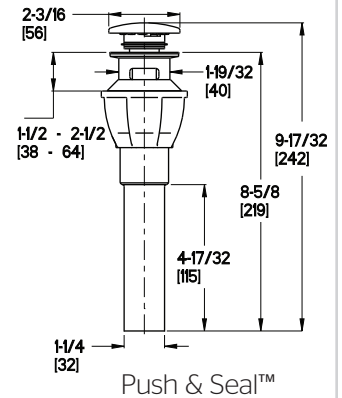
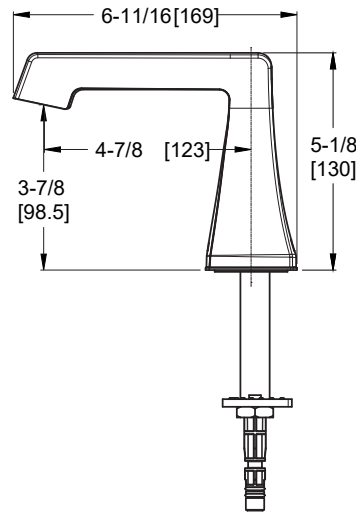
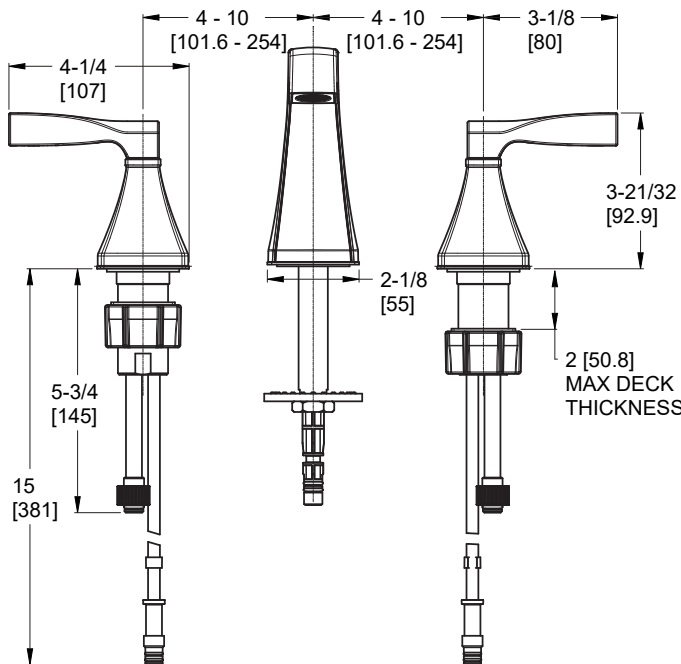
Pfister products are designed and manufactured in compliance with the following standards and codes:

- IAPMO Certified to ASME A112.18.1/CSA B125.1
- NSF/ANSI/CAN61:Q≤1
- CEC Certified/CALGreen compliant
- EPA WaterSense Certified
- ADA Compliant - ANSI A117.1 (Lever Handles Only)



Dimensions

Optional Aerators Available	
GPM	Part Number
0.35 GPM	941-4370
0.5 GPM	941-4320
1.0 GPM	941-4440



Push & Seal™

Ø1-1/4 Min to Ø1-1/2 Max. Deck Hole Openings