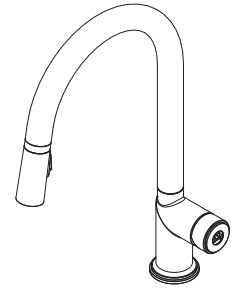


### Pull-Down Kitchen Faucet



- GT529-TNTBG Finish(BG)
- GT529-TNTC Finish(C)
- GT529-TNTD Finish(D)
- GT529-TNTGS Finish(GS)
- GT529-TNTSDB Finish(SDB)

### Features

- 1.8 GPM Flow Rate
- xx" Extended Hose Length
- 360° Rotating Spout
- 2 Function Pull-Down Sprayer (Spray and Stream)
- MagnePfit™ Magnetic Spray Head Docking
- Nylon Braided Hose
- Nylon Flex-Line Supply Lines
- 3/8" Connections
- All Metal Construction
- Easy to Clean Nozzles
- Forward Handle Operation
- Optional Deckplate Available, Order 961-215\* Separately
- Spot Defense™ Finish Resists Spots and Fingerprints (SDB and GS Only)
- Ultra Seal™ Ceramic Disc Valve
- Limited Lifetime Warranty



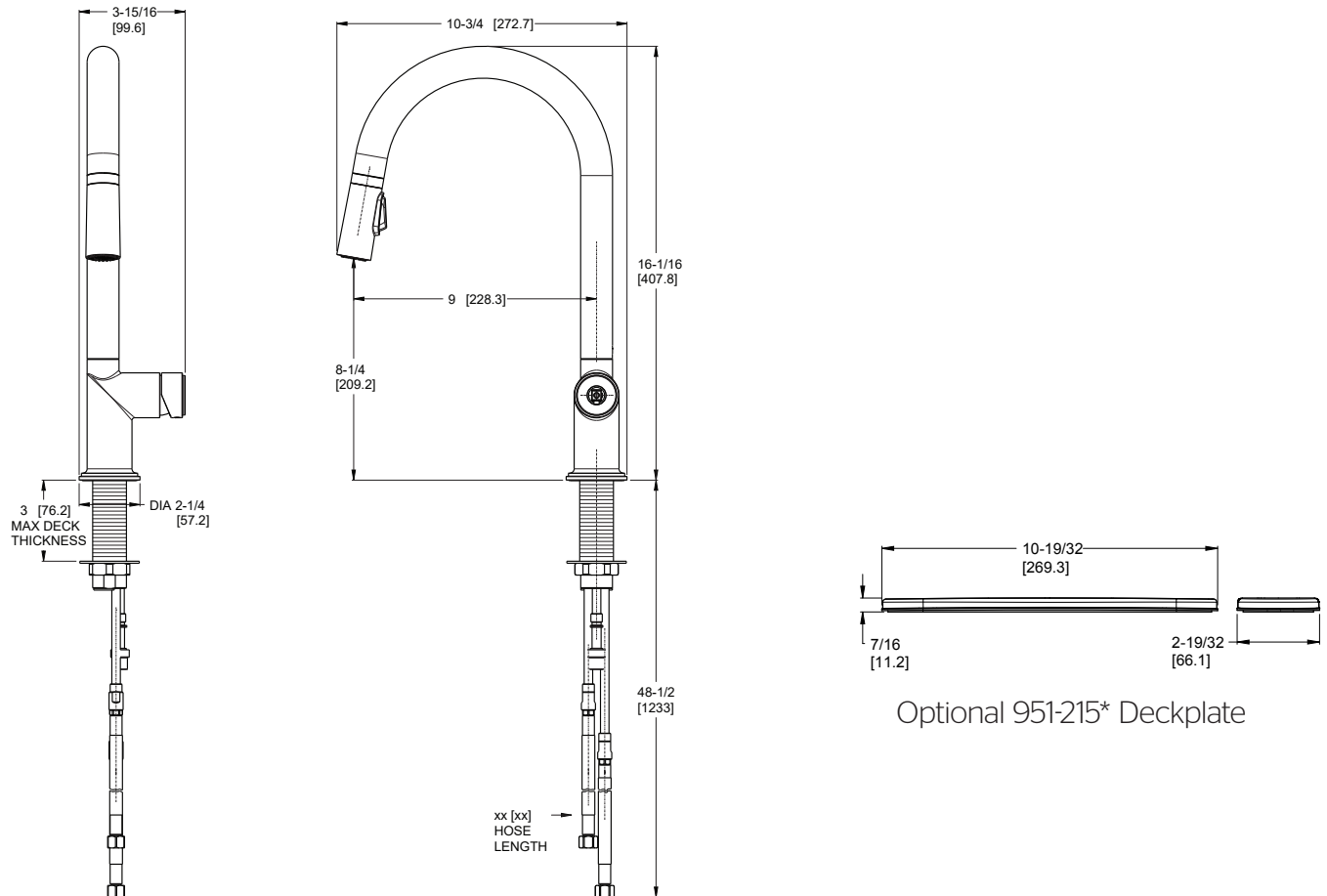
### Code Compliance

Pfister products are designed and manufactured in compliance with the following standards and codes:

- IAPMO Certified to ASME A112.18.1/CSA B125.1 including:
  - ASME A112.18.3 (Backflow Prevention)
- NSF/ANSI/CAN61:Q≤1
- CEC Certified/CALGreen compliant
- ADA Compliant - ANSI A117.1 (Lever Handle Only)



### Dimensions



Ø1-3/8 Min to Ø1-1/2 Max. Deck Hole Openings

Optional 961-215\* Deckplate