

Specifications

Features

- 1.2 GPM Flow Rate
- Fixed Hubs
- High Arc Spout
- TiteSeal™ Technology
- Supply Lines Not Included
- Spot Defense™ Finish Resists Spots and Fingerprints (GS Finish Only)
- Pfaster Connect™
- Push & Seal™ Pop-Up Drain
- Quick Install Tool Included
- Pforever Seal™ Ceramic Disc Valves
- Pforever Warranty®



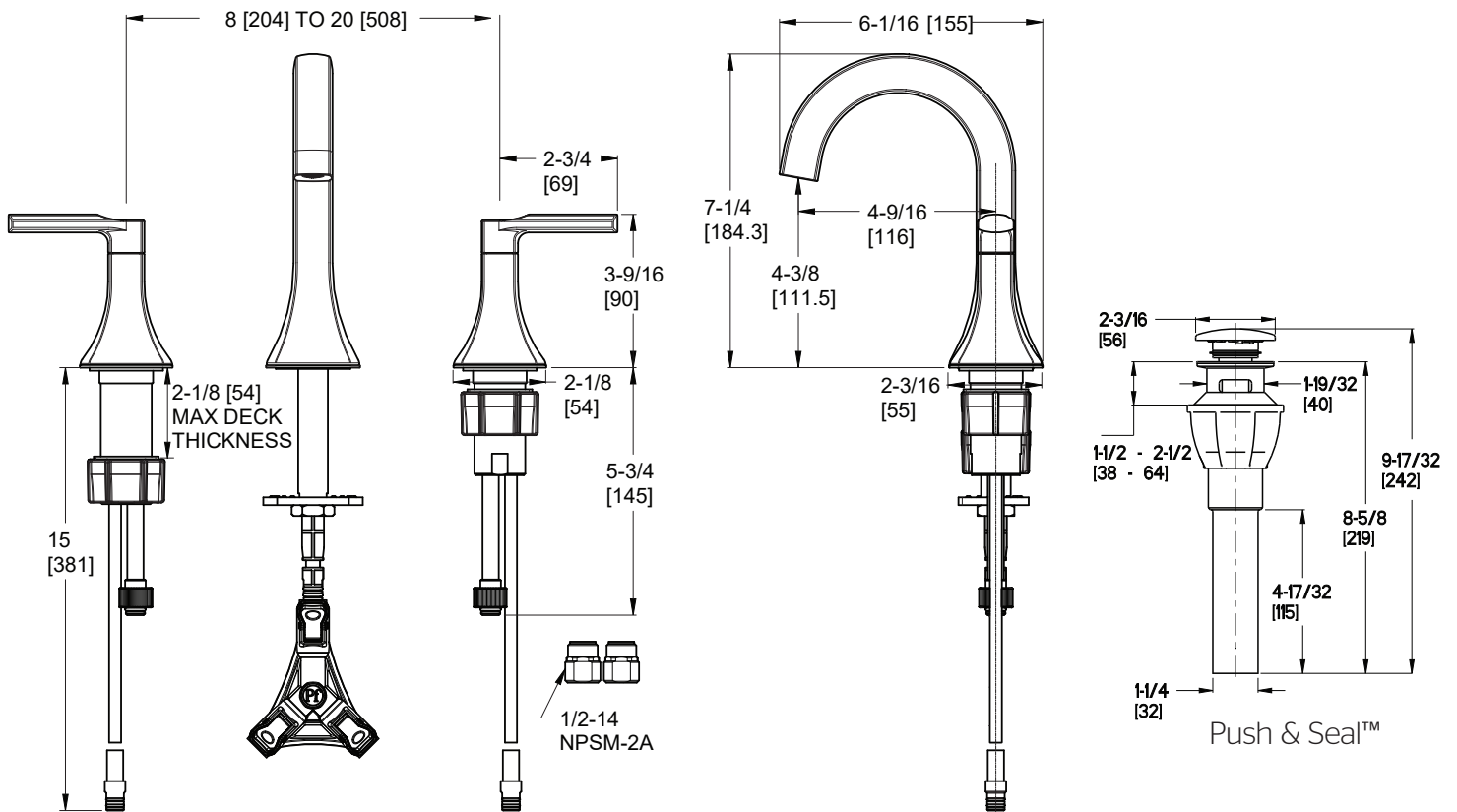
Code Compliance

Pfister products are designed and manufactured in compliance with the following standards and codes:

- IAPMO Certified to ASME A112.18.1/CSA B125.1
- EPA WaterSense Certified
- NSF/ANSI/CAN61:Q≤1
- CEC Certified/CALGreen compliant
- ADA Compliant - ANSI A117.1 (Lever Handles Only)



Dimensions



Ø1-1/4 Min to Ø1-1/2 Max. Deck Hole Openings