

- LF-049-MALBG Finish(BG)
- LF-049-MALGS Finish(GS)
- LF-049-MALSDB Finish(SDB)

## Specifications

### Features

- 1.2 GPM Flow Rate
- Adjustable 3-Hole Installation
- Quick Install Tool Included
- Pfast Connect™ Supply Lines
- TiteSeal™ Technology
- Spot Defense™ Finish Resists Spots and Fingerprints (BG Finish Excluded)
- Push & Seal™ Pop-Up
- Pforever Seal™ Ceramic Disc Valves
- Limited Lifetime Warranty



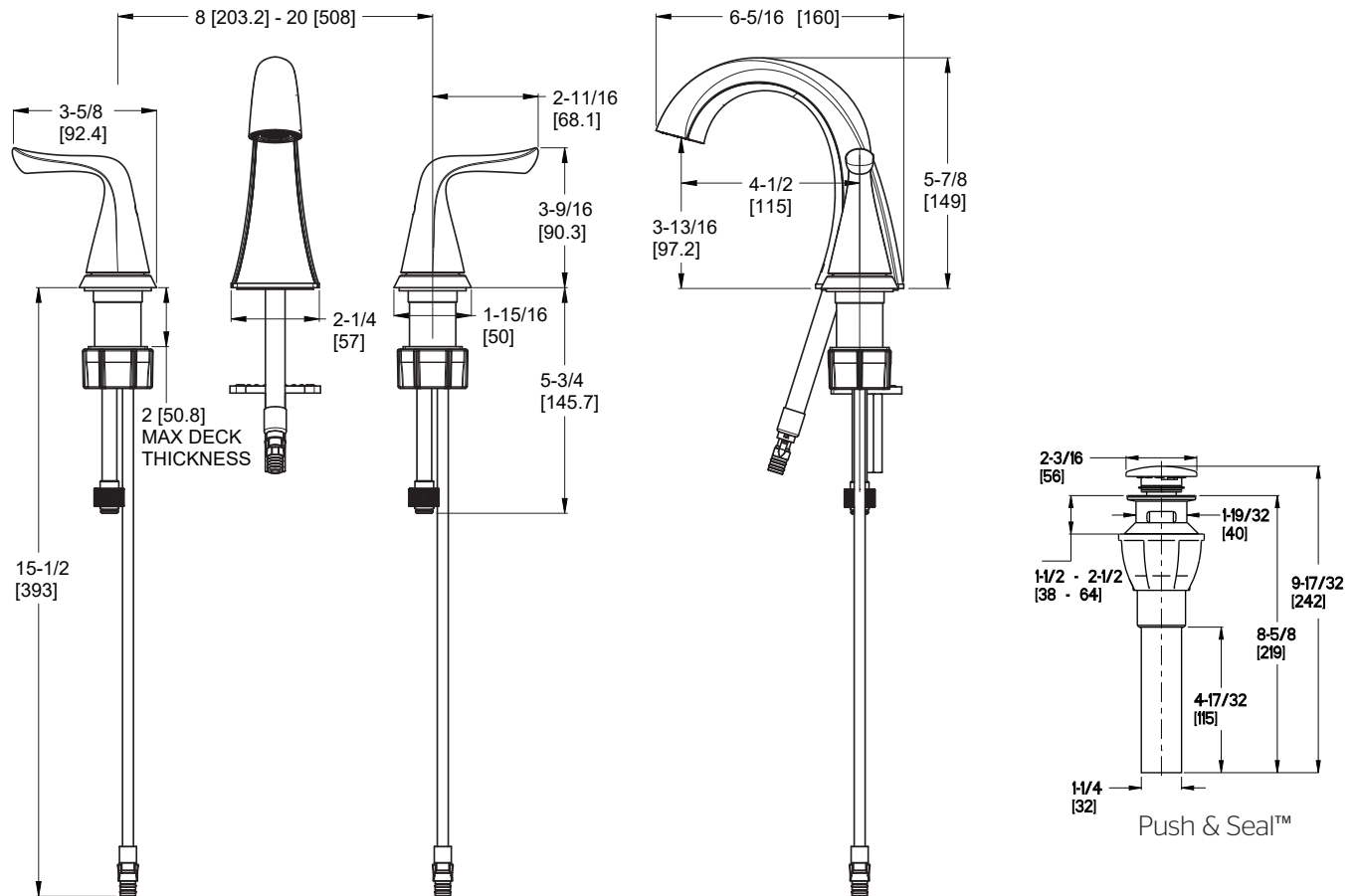
### Code Compliance

Pfister products are designed and manufactured in compliance with the following standards and codes:

- IAPMO Certified to ASME A112.18.1/CSA B125.1
- NSF/ANSI/CAN61:Q≤1
- EPA WaterSense Certified
- CEC Certified/CALGreen compliant
- ADA Compliant - ANSI A117.1 (Lever Handles Only)



## Dimensions



Ø1-1/4 Min to Ø1-1/2 Max. Deck Hole Openings